

## Linear-Actuators L40, L56, L86

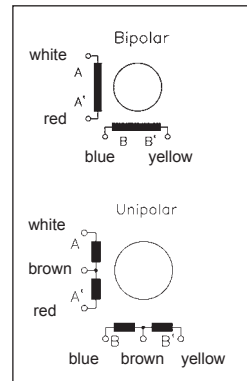
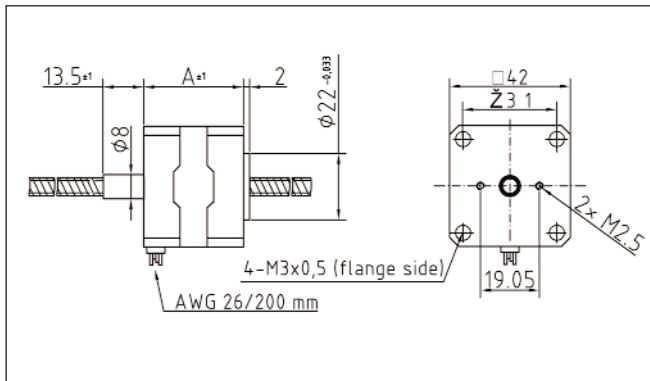
The L40.. to L86.. precision linear actuators have been developed for a wide range of applications which require less in the way of high regulating power and speeds but more high resolution at the lowest possible price, unit volume and constructional installation costs.

With compact microstep-drivers like e.g. the SMC42, resolutions smaller than <0.001 mm/step are possible for accurate positioning..

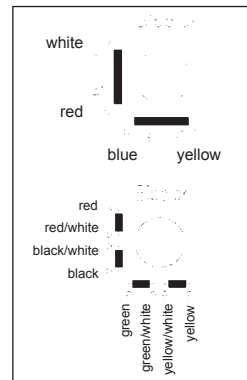
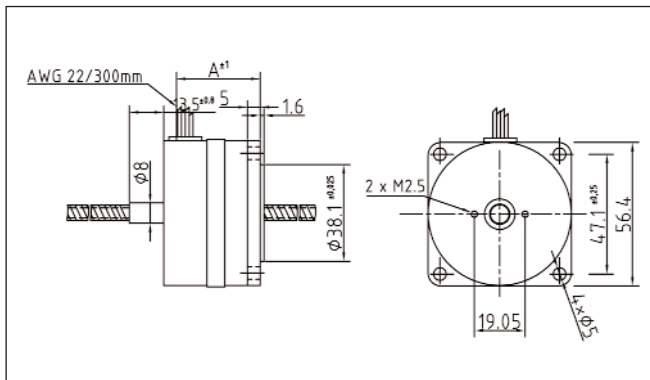
Available with an optional attached encoder (refer to Accessories).



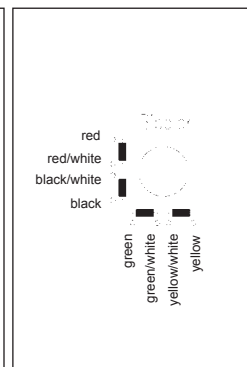
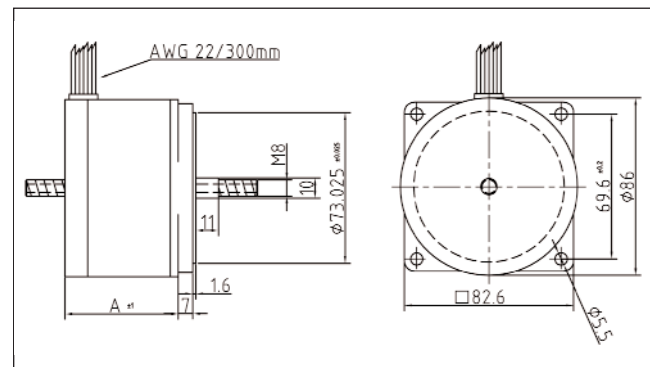
### Linear Actuators L40



### Linear Actuators L56



### Linear Actuators L86



Matching M.x. or T.x. threaded screws and lubrication notes for the integral bronze nut will be found under Accessories (Please order screw separately)

Type	Thrust N	Resolution mm/step -----Values Full Step-----	Feed mm/sec.	Current A/Winding -----Values Unipolar-----	Resistance Ohm/Winding	Weight kg	Length "A" mm	Leads
L4018X1006-M4x0,7	40	0.0035	20	1.0	3.4	0.15	22	6
L4018S1204-M6x1	50	0.005	30	1.2	2.8	0.2	33	4
L5609X2008-M6x0,5	85	0.00125	20	2.0	1.37	0.35	38.5	8
L5609X1104-M5x0,8	80	0.002	20	1.1	1.8	0.35	38.5	4
L5609X1108-M6x1	80	0.0025	25	1.1	1.8	0.35	38.5	4
L5618X1408-M5x0,8	100	0.004	25	1.4	2.6	0.35	38.5	8
L5618X1408-M6x1	100	0.005	30	1.4	2.6	0.35	38.5	8
L5618X2508-M6x1	100	0.005	35	2.5	1.2	0.35	38.5	8
L8618S4508-M8x1,25	200	0.00625	35	4.5	1.2	1.4	62	8