

Connectors

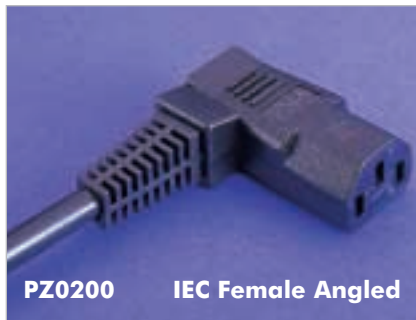


PZ0100 IEC Female Straight

Opposite End Plugs



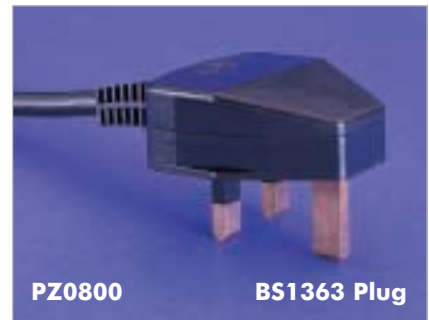
PZ0500 IEC Male Straight



PZ0200 IEC Female Angled



PZ0600 IEC Male Angled



PZ0800 BS1363 Plug

IEC CONNECTORS

How to Order

PZxx xx / xxxx / xx xx

Connector	Opposite End Plug	Cable Length (standard)	Colour	Fuse Rating
01 = PZ0100	05 = PZ0500	2M00 = 2 Metres	BK = Black*	03 = 3AMP
02 = PZ0200	06 = PZ0600	2M50 = 2.5 Metres	GY = Grey	05 = 5AMP
	08 = PZ0800	3M00 = 3 Metres	WH = White	10 = 10AMP
			* For PZ0800 variants only, for others leave blank for black.	Required for PZ0800 only, for other connectors leave blank.

Examples:

PZ0105/2M00 = PZ0100 black with PZ0500 on opposite end with 2 metres of cable.

PZ0108/2M00BK05 = PZ0100 black with PZ0800 on opposite end with 2 metres of cable and 5AMP fuse.

Notes:

Cord Sets with cable length of 2 metres and under use 0.75mm² cable.


Cord Sets longer than 2 metres use 1.00mm² cable in accordance with BS EN60 320, IEC799.

Cord Set length measured from connector face to connector face.

This table shows only standard configurations, for variations of cable length, colour or connector/plug combinations please contact the sales office.

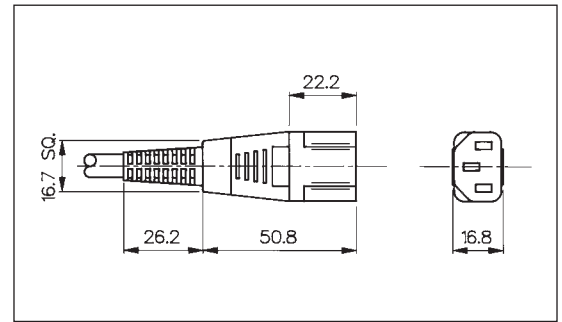
BS EN60 320-1 (Standard Sheet C13 Class I) Non Rewirable Cold Condition

IEC FEMALE STRAIGHT




PZ0100/Length

- Non Rewirable
- Various Cable Lengths
- Choice of Colours
- 10A, 250V a.c.

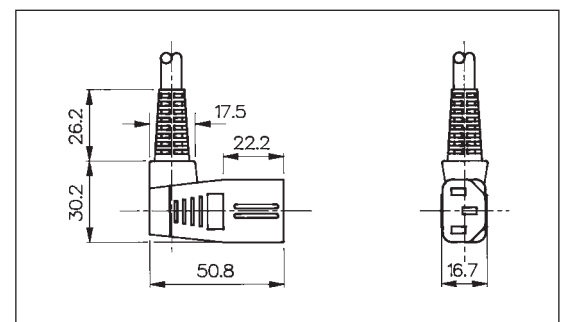


IEC FEMALE ANGLED



PZ0200/Length

- Non Rewirable
- Various Cable Lengths
- Choice of Colours
- 10A, 250V a.c.





IEC CONNECTORS

Ordering Data

Length	PZ0100	PZ0200
2 Metres	PZ0100/2M00	PZ0200/2M00
2.5 Metres	PZ0100/2M50	PZ0200/2M50
3 Metres	PZ0100/3M00	PZ0200/3M00

For grey or white versions add colour suffix /GY or /WH
e.g. PZ0100/2M00/WH = 2 metre length, colour white

Specification	PZ0100/Length/Colour	PZ0200/Length/Colour
Cable Lengths (standard):	2m (/2M00), 2.5m (/2M50), 3m (/3M00)	2m (/2M00), 2.5m (/2M50), 3m (/3M00)
Cable type: 2m and under over 2m	0.75mm ² 1.00mm ²	0.75mm ² 1.00mm ²
Terminations:	Bared ends	Bared ends
Max. Rating:	10A, 250V a.c.	10A, 250V a.c.
Contact Resistance:	<10mΩ	<10mΩ
Insulation Resistance:	>10 ⁵ MΩ @ 500V d.c.	>10 ⁵ MΩ @ 500V d.c.
A.C. Breakdown:	Pole-Pole 6.5kV Poles-Accessible parts 5kV	Pole-Pole 6.5kV Poles-Accessible parts 5kV
Operating Temp. Range:	0°C to +70°C	0°C to +70°C
Withdrawal Force:	10N (Min.) 50N (Max.)	10N (Min.) 50N (Max.)
Mouldings:	Polycarbonate Flammability Rating UL 94V-0	Polycarbonate Flammability Rating UL 94V-0
Contacts:	Phosphor Bronze	Phosphor Bronze
Approvals:	 *Pending	 *Pending
Mates with:	PX0575, PX0579, PX0580, PF0001, PF0011, PF0030, PF0033	
Colours:	Black (blank), Grey (/GY), White (/WH)	Black (blank), Grey (/GY), White (/WH)
Variants:	For other lengths please contact the sales office	