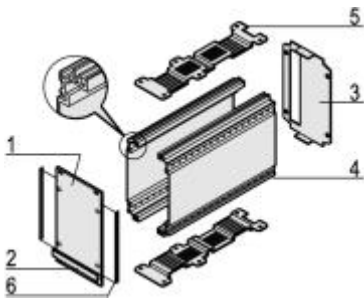


Frame-type 5 plug-in units 3/6 U kits

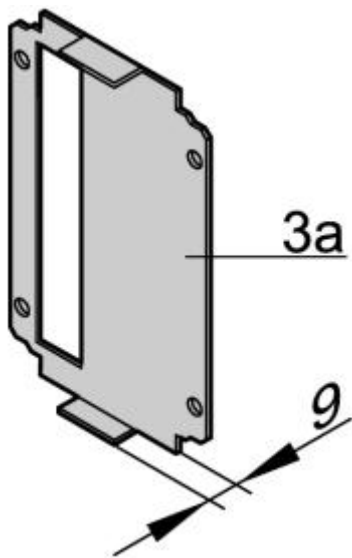


**Article number: 20846-646**

- Right and left extruded side plates with grooves for sliding in a printed circuit board (standard card position only on the left)
- Installation of further printed circuit boards by assembly of guide rails in the perforated cover plates
- Front panel EMC shielded, cover plates with perforation

**Delivery quantity: kit**

Item	Qty	Description
1	1	Front panel, Al 2,5 mm, front anodised, rear side yellow chromated
2	1	Handle, grey PPE, UL 04 V-1
3a	1	Rear panel Al 1,5 mm
4	2	Extruded side plate
5	2	Cover plate, perforated, Al 1 mm
6	2	EMC contact strips, stainless steel
7	1	Assembly kit



**Technical data:**

Height	Width	Description	Description
3 U	28 HP	T = 227 mm front panel, shielded	Rear panel with cut-out for 1 connector

**Technical data:**

Delivery batch size = 5 pieces

**Notes:**

- Delivery is exclusively in delivery batch size

## SCHROFF GMBH

Feldrennach  
Langenalber Straße 96-100  
D-75334 Straubenhardt  
Postfach 3  
D-75332 Straubenhardt  
Tel. (0 70 82) 7 94-0  
Fax (0 70 82) 7 94 200  
http://www.schroff.de

 **Germany**  
**SCHROFF GMBH**  
Langenalber Straße 96-100  
D-75334 Straubenhardt  
Postfach 3  
D-75332 Straubenhardt  
Tel. (0 70 82) 7 94-0  
Fax (0 70 82) 7 94-200  
http://www.schroff.de

 **France**  
**SCHROFF SAS**  
Z.I. 4, rue du Marais  
Boîte Postale 16  
67660 Betschdorf  
Tél. 03 88 90 64 90  
Fax 03 88 90 64 88  
http://www.schroff.de

 **Great Britain**  
**SCHROFF UK Ltd.**  
Maylands Avenue  
Hemel Hempstead  
Herts HP2 7DE  
Tel. (0 14 42) 24 04 71  
Fax (0 14 42) 21 35 08

 **USA**  
**SCHROFF,**  
North America  
170 Commerce Drive  
Warwick, R.I. 02886  
Tel. (4 01) 7 32-37 70  
Fax (4 01) 7 38-79 88  
e-mail:schroffinfo@schroffus.com  
http://www.schroffus.com

**HOFFMAN Enclosures Inc.**  
900 Ehlen Drive  
Anoka, Minnesota 55303-7504  
Tel. (6 12) 4 21-22 40  
Fax (6 12) 4 33-21 78

 **Japan**  
**SCHROFF K.K.**  
Nisso No.13 Bldg. 4F  
5-1, Shin-yokohama 2-chome,  
Kohoku-ku, Yokohama 222  
Tel. (0 45) 4 76-02 81  
Fax (0 45) 4 76-02 89

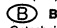
 **Sweden**  
**SCHROFF**  
Scandinavia AB  
Box 2003  
Flygfältsgatan 11  
12821 Skarpnäck  
Tel. (08) 7 24 02 40  
Fax (08) 7 24 78 59  
http://www.schroff.se


 **Italy**  
**SCHROFF S.R.L.**  
Viale Milano, 119  
21013 Gallarate (Varese)  
Tel. (03 31) 79 40 03  
Fax (03 31) 79 34 50

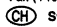
 **Singapore**  
**HOFFMANN**  
**SCHROFF PTE LTD**  
25 International Business Park  
#01-68/71 German Centre  
Singapore 60 99 16  
Tel. (65) 5 62 78 90  
Fax (65) 5 62 78 99


 **Austria**  
Vollhorn Dipl. Ing. Christian Drott KG  
A-6832 Sulz - Fritzstraße 4  
Tel. ++ 43 (0) 5522 49 42-0  
Fax ++ 43 (0) 5522 421 41  
http://www.vollhorn.com  
e-mail: info@vollhorn.com

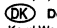
 **Australia**  
B & R Enclosures Pvt. Ltd.  
10 Industrial Avenue  
Wacol Queensland 4076  
POB 106, Richlands  
Queensland, Australia 4077  
Tel. 00 61 7 32 71 23 96  
Fax 00 61 7 32 71 36 54  
Mayer Krieg & Co.  
Electronic & Electrical Components  
50 Mary Street, Unley  
P.O. Box 685, Unley  
Adelaide, South Australia 5061  
Tel. (088) 2 91 32 22 - Fax (088) 2 91 32 00


 **Belgium**  
Gelechnics Multitechnic N.V.  
Leuvensesteenweg 262 - 1800 Vilvoorde  
Tel. (02) 2 57 02 50 - Fax (02) 2 52 49 59


 **Canada**  
**SCHROFF, INC.**  
111 Grangeway Avenue - Suite 504  
Scarborough, Ontario M1H 3E9  
Tel. (4 16) 2 89-27 70  
Fax (4 16) 2 89-28 83


 **Switzerland**  
Rotronic AG  
Grindelstraße 6 - 8303 Bassersdorf  
Tel. (01) 8 38 12 12 - Fax (01) 8 37 00 74

 **Czech Republic**  
ZTC electronic  
P.O. Box 34, 1 49 00 Praha 415  
Tel. (02) 67 91 00 82/5 28  
Fax (02) 67 91 06 41

 **Denmark**  
Knud Wexø 4 A/S  
Skættekærret 11  
Postbox 152 - 2840 Holte  
Tel. 45 46 58 00 - Fax 45 46 58 01

 **Spain**  
CENVAL SA  
Ulises 104 - 28043 Madrid  
Tel. (01) 7 21 60 10 - Fax (01) 3 00 08 79


 **Finland**  
**SCHROFF Scandinavia**  
Peräsimentie 1 - 03100 Nummela  
Tel. (9) 2 22 68 00 - Fax (9) 2 22 38 86

 **Hungary**  
NB Electronic Kft.  
Kaszásdó u.2 - 1033 Budapest  
Tel. (1) 4 39 50 55 - Fax (1) 2 50 00 20

 **Hong Kong**  
Alberta Electronic Co. Ltd.  
Block C, 10/F Eldex Industrial Building  
21 Matauwei Road, Hung Hom  
Kowloon, Hong Kong  
Tel. (852) 2 33 4-27 86  
Fax (852) 2 33 0-16 51

 **Israel**  
Ram Nir Electronic  
Packaging & Services  
4th, Ben-Gurion St. - Nes-Ziona 74030  
Tel. (08) 9 40 36 70 - Fax (08) 9 40 12 86

 **Ireland**  
New England  
Technical Sales Ltd.  
The diamond Malahide, Co. - Dublin  
Tel. (01) 8 45 06 35 - Fax (01) 8 45 36 25

 **Norway**  
**SCHROFF Scandinavia**  
Filial Norge  
Bjørnerudveien 24 - 1266 Oslo  
Tel. 22 75 33 40 - Fax 22 75 33 41


 **The Netherlands**  
Geveke Electronics bv  
Componenten & Systemen  
Donauweg 10 - 1043 aj Amsterdam  
Postbus 652 - 1000 ar Amsterdam  
Tel. (0 20) 5 86 15 43  
Fax (0 20) 5 86 19 85  
Telex 1 95 56

 **New Zealand**  
Mayer Krieg (N.Z.) Limited  
Electronic & Electrical Components  
34 C Hobill Avenue  
Manukau City, Auckland  
Tel. (09) 2 62 24 61 - Fax (09) 2 62 24 74

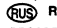
 **Portugal**  
**ARESTEL S.A.**  
Componentes e Equipamentos  
Electrónicos, S.A.  
Pct. Proj. 4 Av. Mário Moutinho  
Lote 1528 Cave - 1400 Lisboa  
Tel. (01) 3 03 08 50 - Fax (01) 3 01 62 21

 **Poland**  
Ryzard Platek  
SCHROFF Representative  
Koncertowa 6/49  
02-784 Warszawa  
Tel. (48) 22-641 96 69  
Fax (48) 22-641 96 69

 **Taiwan**  
LUMAX International Corp. Ltd.  
Taichung Branch  
10F-2, 20 Da-Long Road  
TCC Building, Taichung  
Tel. (886) 4-329-5957  
Fax (886) 4-329-5845

 **Indonesia**  
PT Himalaya Everest Java  
Jl. Daan Mogot No. 119, Blok C, 6-7  
Jakarta 11470,  
Tel. (62) 21-566-19 58  
Fax (62) 21-566-17 33

 **Korea**  
ARA Electronics Co., Ltd.  
105, Dangjeong-Dong; Kumpo City  
Kyunggi-Do, 435-030  
Tel. (82-343) 455-04 80  
Fax (82-343) 455-46 10

 **Russia**  
PROSOFT  
108, Profsojuznaya str., - 117437 Moscow  
Tel. (095) 2 34 05 36 - Fax (095) 2 34 06 40

 **Slovenia**  
IC Elektronika d.o.o.  
Votovcova 100 - PP 2514  
1001 Ljubljana  
Tel. (61) 1 65 31 50 25  
Fax (61) 1 65 31 70 20

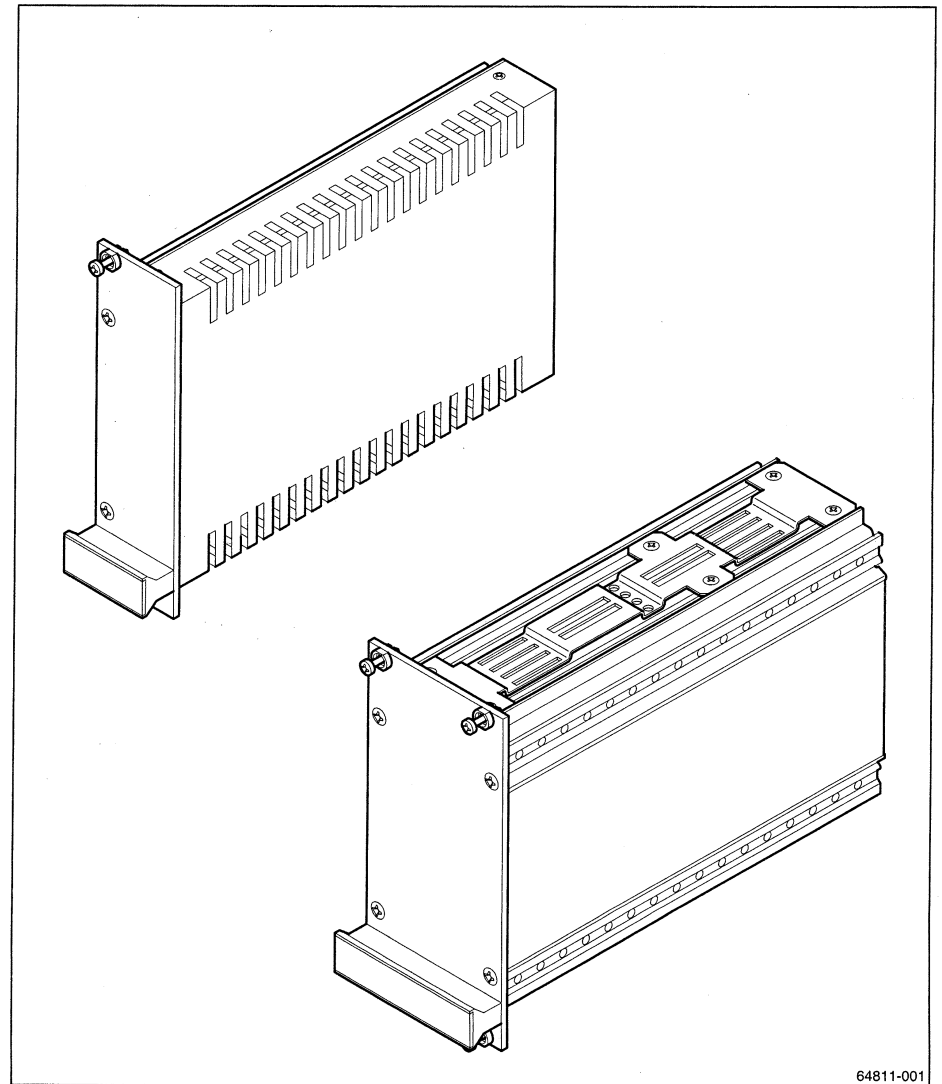
 **Thailand**  
Eletech International Corp. Ltd.  
71, 71/1-4 Prayusarin Road  
Bangchan Moo 4, minburi  
Bangkok 10510  
Tel. (66) 2-5 18-14 85  
Fax (66) 2-5 17-83 97

 **South Africa**  
Pascum Electronics (Pty.) Ltd.  
P.O. Box 76132 - Wendywood 2144  
Tel. (011) 444-1001 - Fax (011) 444-1080

Montageanweisung  
Kassetten/Teileinsätze  
Schirmaubaugruppe

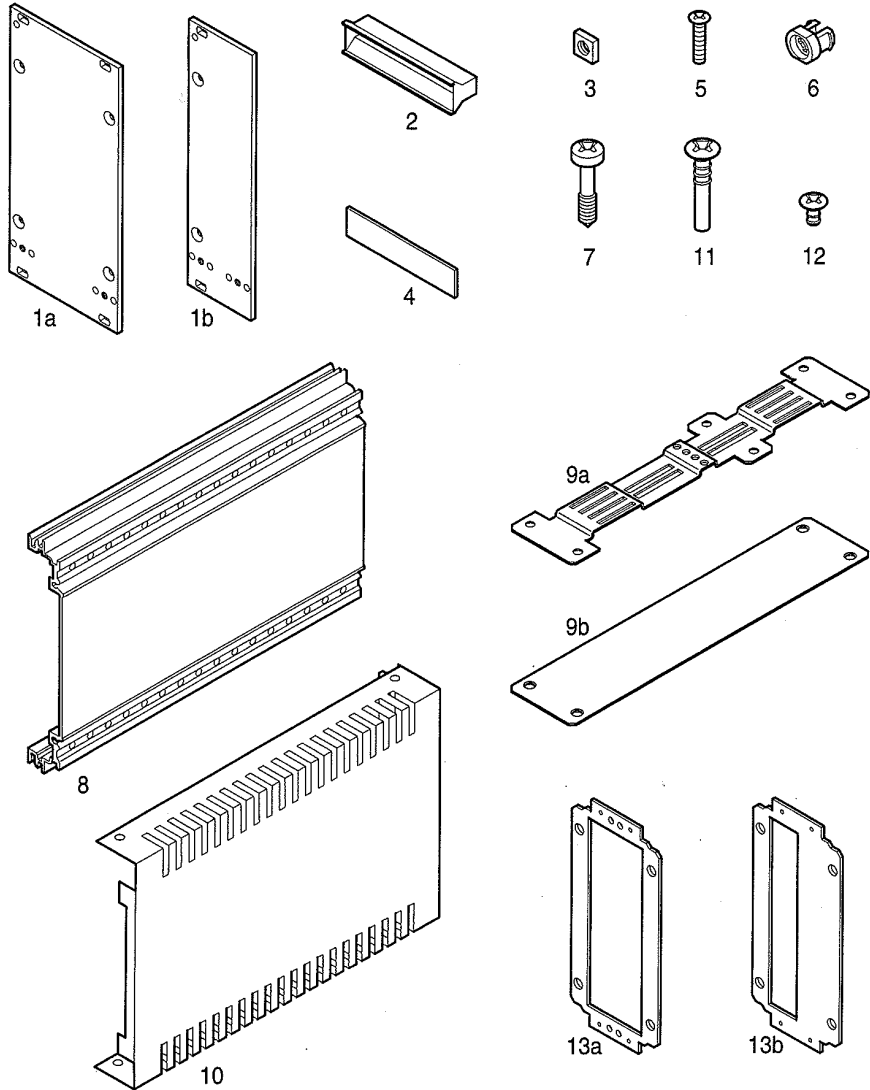
Assembly instructions  
Plug-in units  
Screened PIU

Instructions de montage  
cassettes/tiroirs  
Bloc C.I. blindé

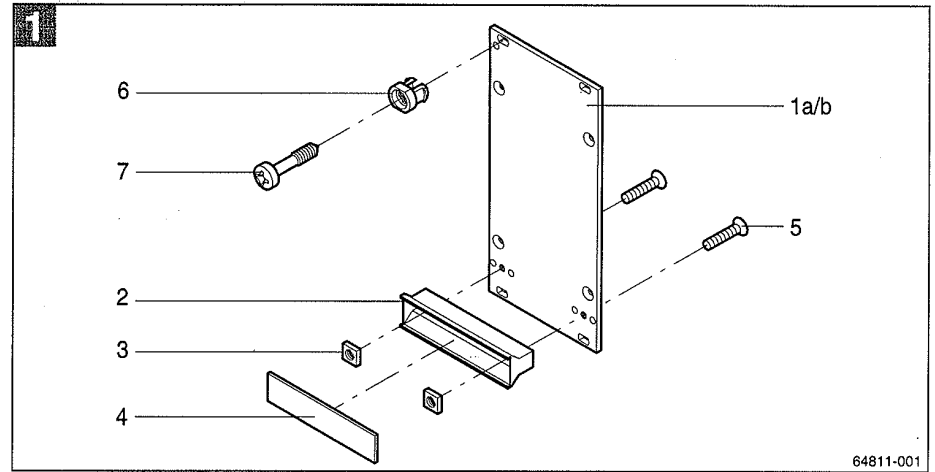


64811-001

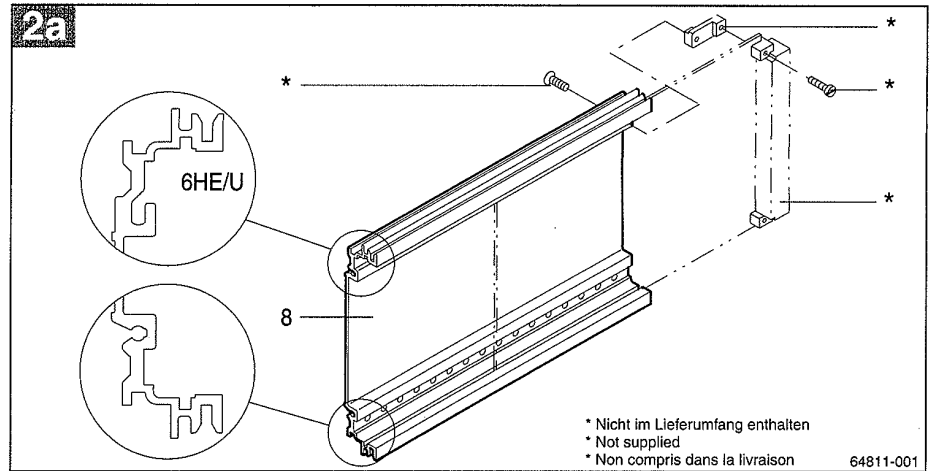
	1a	1b	2	3	4	5	6	7	8	9a	(9b)	10	11	12	13a	(13b)
Ausführung/Version/ Exécution ≥ 7 TE / 7 HP / 7 F	-	1x	1x	2x	1x	2x	2x	2x	1x	-	-	1x	4x	-	-	-
Ausführung/Version/ Exécution ≥ 10 TE / 10 HP / 10 F	1x	-	1x	2x	1x	2x	4x	4x	2x	2x	(2x)	-	8x	12x	1x	(1x)



64811-001

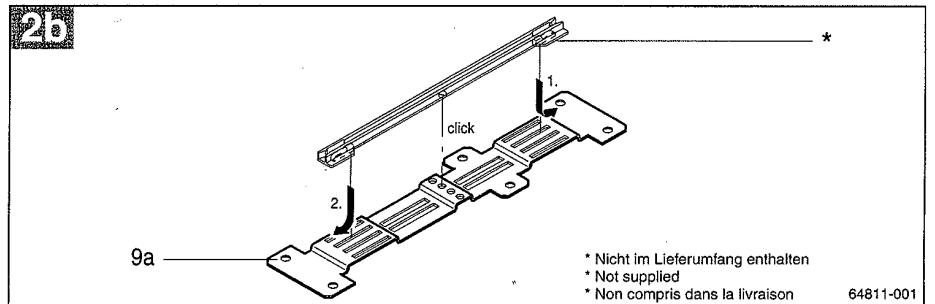


64811-001



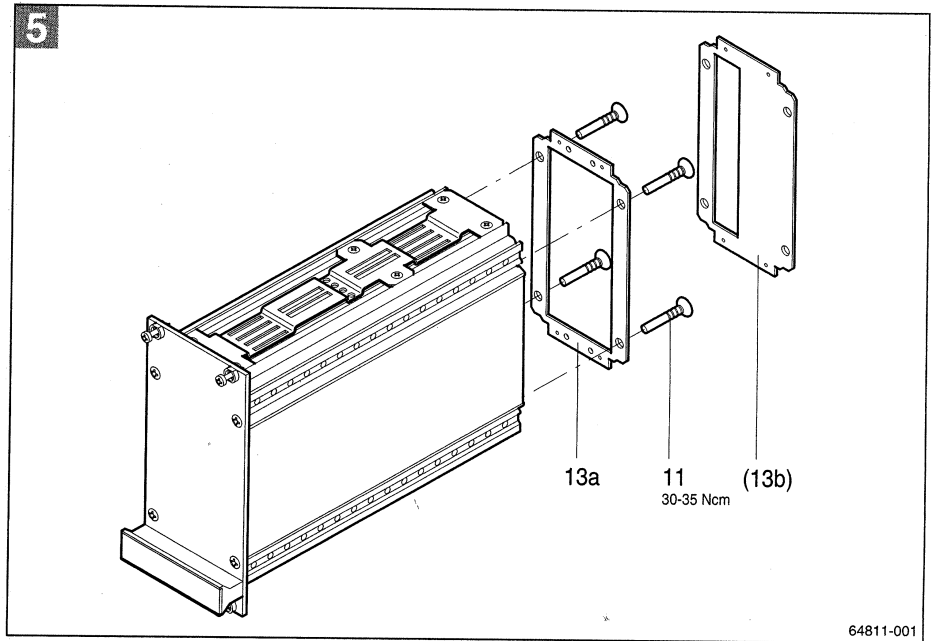
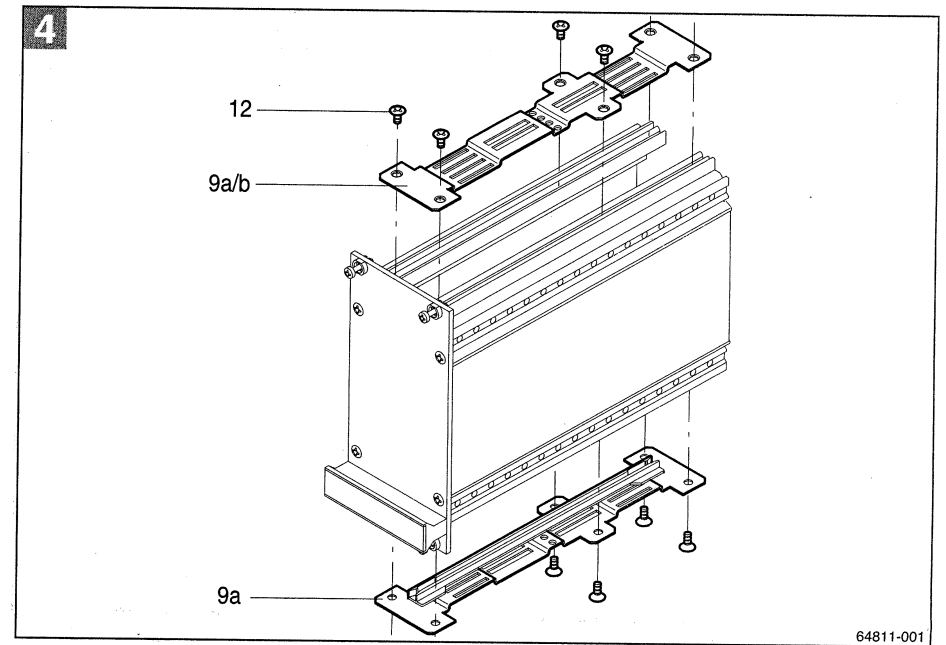
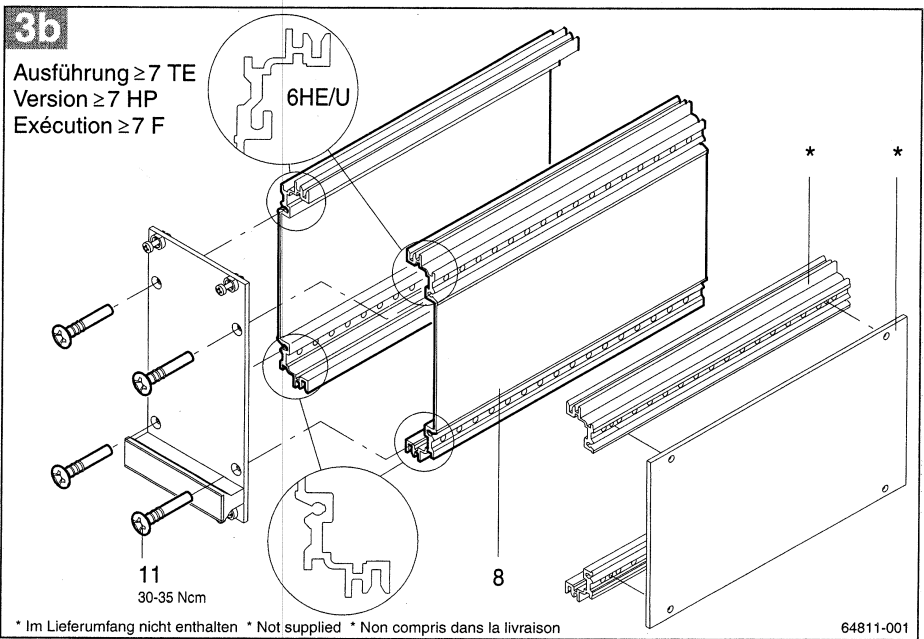
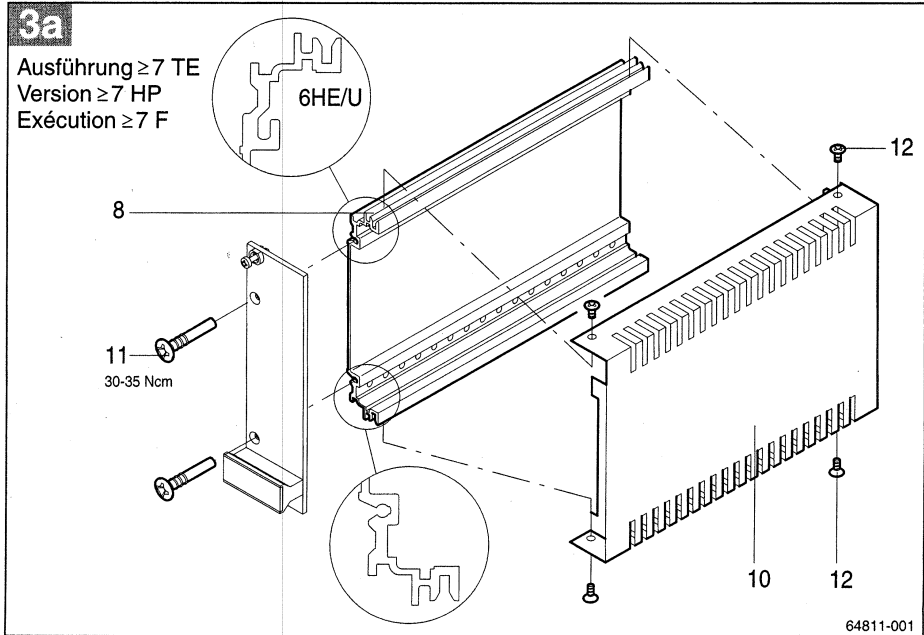
\* Nicht im Lieferumfang enthalten  
\* Not supplied  
\* Non compris dans la livraison

64811-001



\* Nicht im Lieferumfang enthalten  
\* Not supplied  
\* Non compris dans la livraison

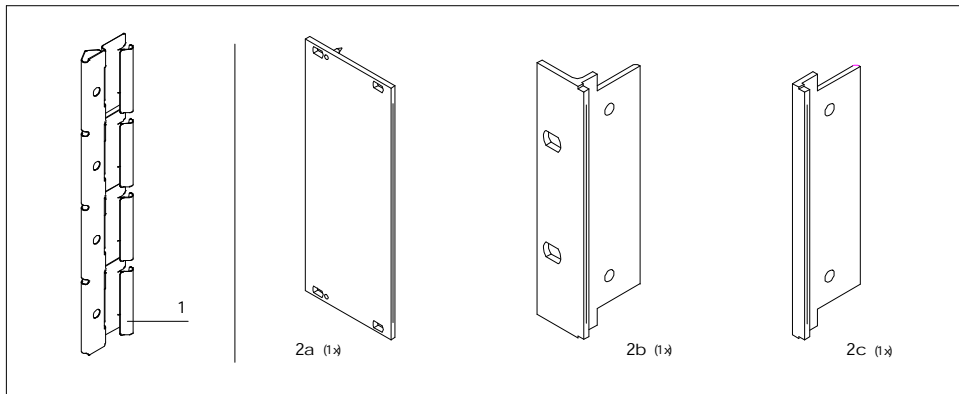
64811-001



**Montageanweisung  
Schlitz-Kontaktstreifen**

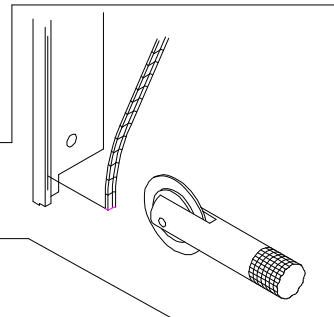
**Assembly instructions  
Contact strip**

**Instructions de montage  
Des joints HF en rainures**

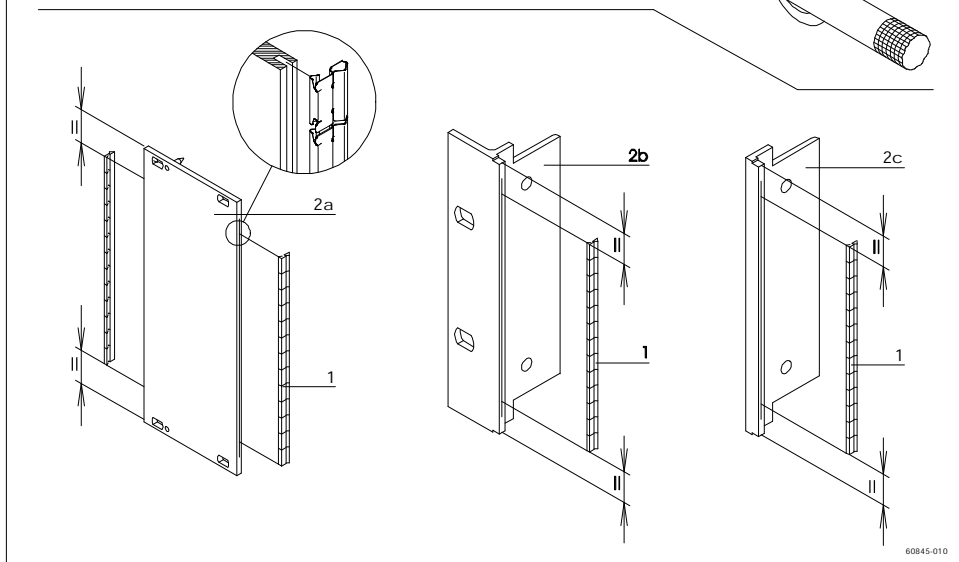


Pos	Item	Rep.
1	2*	
2x	a	
1x	b	
	c	

\* Pos 2 ist im Lieferumfang nicht enthalten.  
\* Item 2 is not supplied.  
\* Rep. 2 non compris dans la livraison.



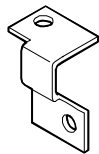
\* Montagewerkzeug Nr 24560-270 empfohlen.  
\* Assembly tool, OrderNo. 24560-270 is recommended.  
\* O util de fixation recommande 24560-270.



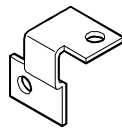
Montageanweisung  
Leiterplattenbefestigung  
Typ B

Assembly instructions  
Printed board fastening  
Type A

Instructions de montage  
Fixation de carte  
Type A



1a (1x)



1b (1x)



2 (2x)

M 2.5 x 4



3 (2x)

