

注記 NOTES:

1. 使用材料 MATERIAL

ハウジング: ポリフェニレンサルファイド ガラス充填 UL94V-0 (黒)
 HOUSING: POLYPHENYLENE SULFIDE (GLASS FILLED) UL94V-0 (COLOR:BLACK)
 ターミナル: リン青銅 (t=0.15)
 TERMINAL: PHOSPHOR BRONZE (t=0.15)
 金具: リン青銅 (t=0.2)
 FITTING NAIL: PHOSPHOR BRONZE (t=0.2)

下地メッキ: ニッケルメッキ 1.5 マイクロメートル以上
 UNDER PLATING: NICKEL 1.5MICROMETER MINIMUM

金具 FITTING NAIL
 鍍メッキ 1.0 マイクロメートル以上
 TIN 1.0MICROMETER MINIMUM

下地メッキ: ニッケルメッキ 1.0 マイクロメートル以上
 NICKEL 1.0MICROMETER MINIMUM
 (全極数/2) = 偶数の場合に適用。

4. 嵌合相手: 53929 シリーズ
 MATE WITH: 53929 SERIES.

- テール平坦度は、0.08MAX. テール及び金具の平坦度は、0.1MAX. TAIL COPLANARITY TO BE 0.08MAX. TAIL AND FITTING NAIL COPLANARITY TO BE 0.1MAX.
- テール部に適用。APPLY TO THE TAIL AREA.
- 本製品は54137-***9の鉛フリー品である。THIS PRODUCT IS LEAD FREE OF 54137-***9.

2. メッキ仕様 PLATING

ターミナル TERMINAL
 金メッキ 0.25 マイクロメートル以上 (コンタクト部)
 GOLD 0.25MICROMETER MINIMUM (CONTACT AREA)
 金メッキ 0.4 マイクロメートル以下 (テール部)
 GOLD 0.4MICROMETER MAXIMUM (TAIL AREA)



(全極数/2) = 偶数の場合に適用。
 APPLY FOR (CIRCUIT/2)=EVEN.

DO NOT SCALE DRAWING

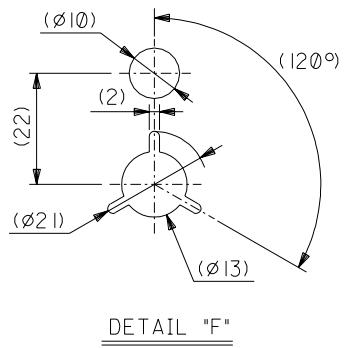
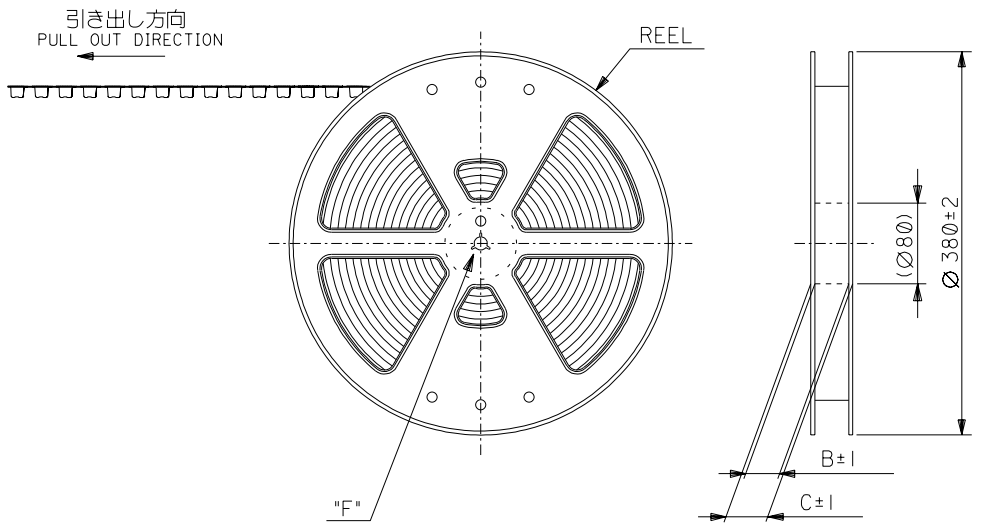
EC NO.	DRWN:	CH'K:	APPR:	EC NO.	DRWN:	CH'K:	APPR:	EC NO.	DRWN:	CH'K:	APPR:	EC NO.	DRWN:	CH'K:	APPR:	REV
<p>注記参照 SEE NOTES</p>																
<p>WIRE RANGE 適用電線範囲 #</p>																
<p>INS. RANGE 被覆外径 #</p>																

GENERAL TOLERANCES: (UNLESS SPECIFIED) 一般公差		SCALE #	DESIGN UNITS	THIRD ANGLE PROJECTION
10 UNDER 未満	±0.2		<input checked="" type="checkbox"/> mm <input type="checkbox"/> INCH	<input type="checkbox"/> mm <input checked="" type="checkbox"/> INCH
10 OVER 以上	±0.25			
30 OVER 以上	±0.3			
ANGLE 角度	±3°			

MODEL NO.	54137-***9	DIMENSIONS:		SHT	REV
		<input type="checkbox"/> mm <input type="checkbox"/> INCH	<input type="checkbox"/> mm <input checked="" type="checkbox"/> ONLY		
<p>TITLE: 0.5 B-To-B Conn Rec Assy (Hg+=1.5mm) WITH NAIL -LEAD FREE-</p>					
<p>MOLEX MOLEX INCORPORATED</p>					
CAD FILENAME	SD-54137-001.S01	MATERIAL NO.	SEE CHART	DRAWING NO.	SD-54137-001
<p>THIS DRAWING CONTAINS INFORMATION THAT IS PROPRIETARY TO MOLEX INCORPORATED AND SHOULD NOT BE USED WITHOUT WRITTEN PERMISSION.</p>					SIZE B

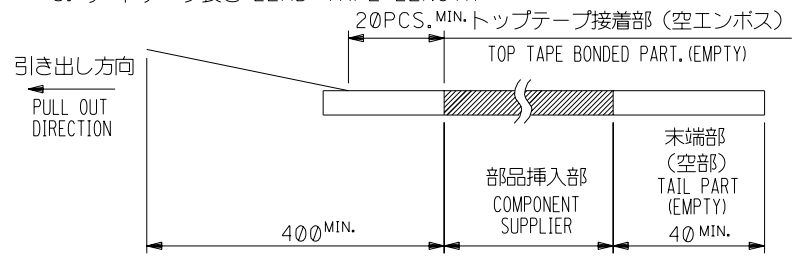
28.9	25.5	24.5	54137-1009	100
26.4	23	22	54137-0909	90
23.9	20.5	19.5	54137-0809	80
21.4	18	17	54137-0709	70
C	B	A	MATERIAL NO.	極数 CIRCUIT

DWG. NO.
SD-54137-002

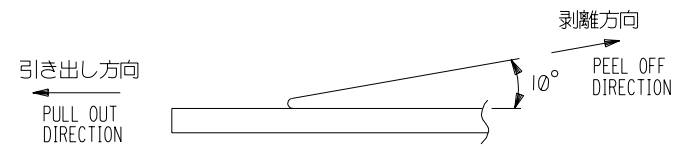


注記 NOTES.

- 製品詳細寸法については図面 SD-54137-001 を参照下さい。
RE DETAILED DIMENSION, SEE SD-54137-001
- 梱包数量：3000個/リール
NUMBER OF CONNECTORS : 3000PCS/REEL
- リードテープ長さ LEAD TAPE LENGTH



- トップテープの剥離強度：0.1N~1.3N {10gf~130gf}
(剥離方向は下図参照)
尚、本規格値は出荷時に適用。(但し、輸送時に剥離が発生しないこと。)
PEELING OFF FORCE OF TOP TAPE : 0.1N~1.3N {10gf~130gf}
(PEELING DIRECTION AS SHOWN IN FOLLOWING FIG.)
THIS REQUIREMENT SHOULD BE APPLIED AT SHIPMENT.
PEEL OFF SHOULD NOT BE ALLOWED ,DURING TRANSPORTATION.

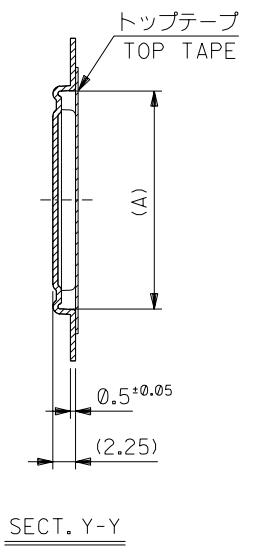


- 材料 (MATERIAL)
キャリアテープ (CARRIER TAPE) : ポリプロピレン (POLYPROPYLENE)
トップテープ (TOP TAPE) : PET , PE , PEF
リール (REEL) : ポリスチレン (PS) <リサイクル材を含む>
POLYSTYRENE(PS) <RECYCLE MATERIAL CONTAINED>
- 本製品は54137-***8の鉛フリー品である。
THIS PRODUCT IS LEAD FREE OF 54137-***8.

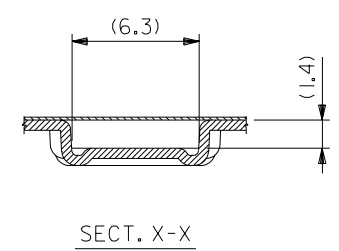
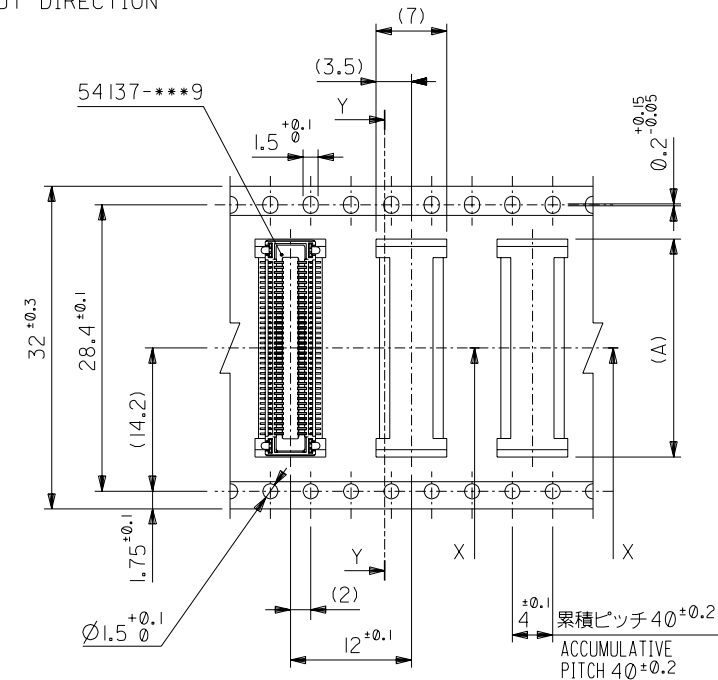
DO NOT SCALE DRAWING

EC NO. DRWN: CHK: APPR:	EC NO. DRWN: CHK: APPR:	EC NO. DRWN: CHK: APPR:	EC NO. DRWN: CHK: APPR:	EC NO. DRWN: CHK: APPR:	RELEASED EC NO. J2004-2630 DRWN: Y.WADA '04/02/24 CHK: M.SASAO '04/02/24 APPR: M.SASAO '04/02/24	MATERIAL 材料 注記参照 SEE NOTES	GENERAL TOLERANCES: (UNLESS SPECIFIED) 一般公差	SCALE —#	MODEL NO. 54137-**78	DIMENSIONS: <input type="checkbox"/> mm <input type="checkbox"/> INCH <input checked="" type="checkbox"/> mm ONLY	SHT REV
					FINISH 仕上げ —#	10 UNDER 未満 ±0.2	DRAWN BY & DATE Y.WADA '04/02/24	DESIGN UNITS <input checked="" type="checkbox"/> mm <input type="checkbox"/> INCH	THIRD ANGLE PROJECTION	TITLE: 0.5 B+B Conn Rec Assy With NailHgt=1.5 Embstp Pkg -LEAD FREE-	REVISE ON CAD ONLY
					WIRE RANGE 適用電線範囲 —#	10 OVER 30 UNDER 以上 未満 ±0.25	CHECKED BY & DATE M.SASAO '04/02/24				
					INS. RANGE 被覆外径 —#	30 OVER 以上 ±0.3	APPROVED BY & DATE M.SASAO '04/02/24				
					REV	ANGLE 角度 ±3°	CAD FILENAME SD-54137-002.S01	MATERIAL NO. SEE CHART	DRAWING NO. SD-54137-002	SHEET NO. 1 OF 3	SIZE B

DWG. NO. SD-54137-002



引き出し方向
PULL OUT DIRECTION



32mm幅キャリアテープ
32mm WIDTH CARRIER TAPE

DO NOT SCALE DRAWING

EC NO. DRWN: CHK: APPR:	EC NO. DRWN: CHK: APPR:	EC NO. DRWN: CHK: APPR:	EC NO. DRWN: CHK: APPR:	EC NO. DRWN: CHK: APPR:
EC NO. DRWN: CHK: APPR:	EC NO. DRWN: CHK: APPR:	EC NO. DRWN: CHK: APPR:	EC NO. DRWN: CHK: APPR:	EC NO. DRWN: CHK: APPR:

RELEASED
EC NO. J2004-2630
DRWN: Y.WADA '04/02/24
CHK: M.SASAO '04/02/24
APPR: M.SASAO '04/02/24

MATERIAL 材料	注記参照 SEE SHEET 1 OF 3
FINISH 仕上げ	—
WIRE RANGE 適用電線範囲	—
INS. RANGE 被覆外径	—

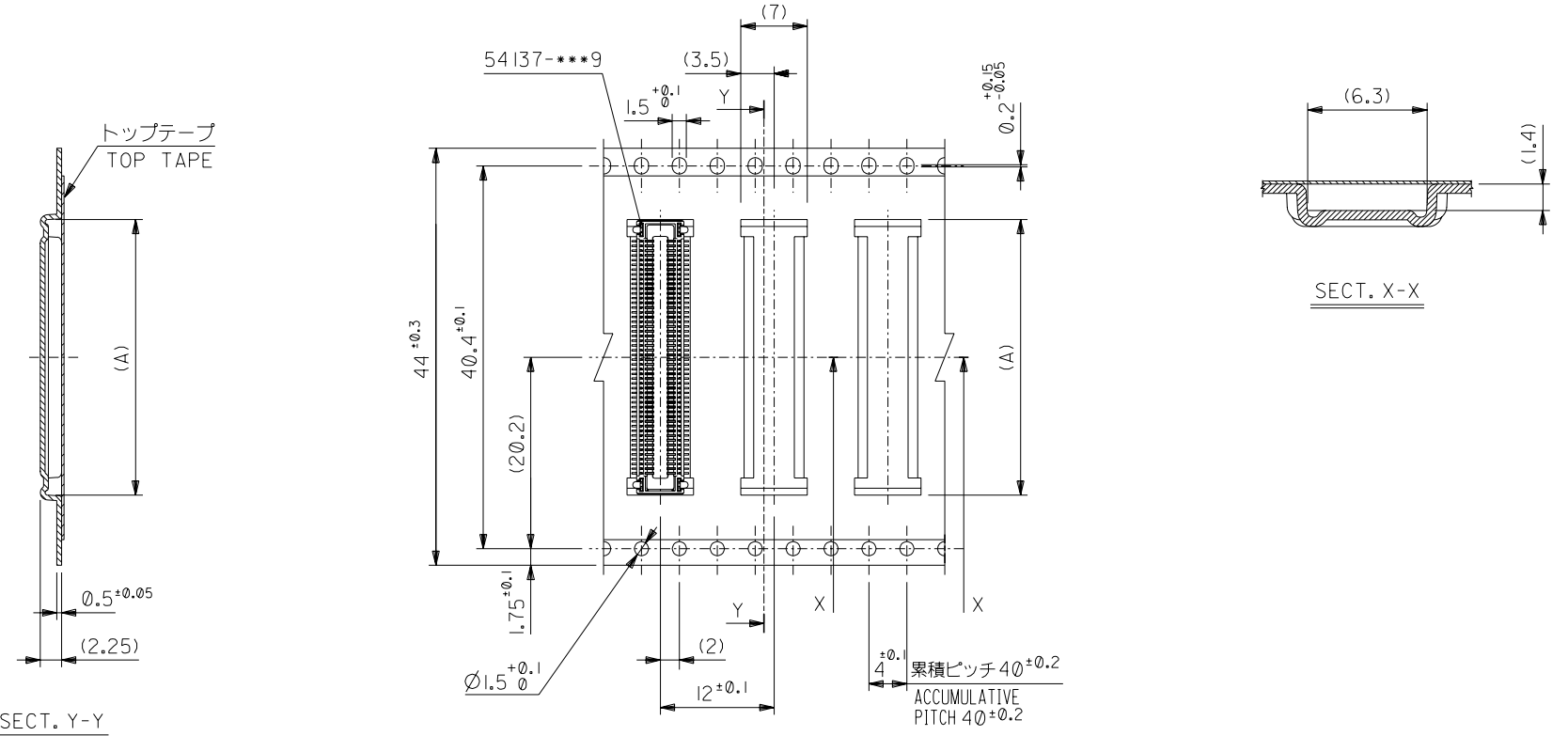
GENERAL TOLERANCES: (UNLESS SPECIFIED) 一般公差	SCALE —
10 UNDER 未満	±0.2
10 OVER 30 UNDER 以上 未満	±0.25
30 OVER 以上	±0.3
ANGLE 角度	±3°

MODEL NO. 54137-**78	DIMENSIONS: <input type="checkbox"/> mm <input type="checkbox"/> INCH <input checked="" type="checkbox"/> mm ONLY
DESIGN UNITS <input checked="" type="checkbox"/> mm <input type="checkbox"/> INCH	THIRD ANGLE PROJECTION
DRAWN BY & DATE Y.WADA '04/02/24	CHECKED BY & DATE M.SASAO '04/02/24
APPROVED BY & DATE M.SASAO '04/02/24	CAD FILENAME SD-54137-002.S02

32	37.4	33.4	21.6	54137-0778	70
キャリアテープ幅 CARRIER TAPE WIDTH	C	B	(A)	MATERIAL NO.	極数 Ck+
TITLE: 0.5 B+B Conn Rec Assy With NailHgt=1.5 Embstp Pkg -LEAD FREE-				SHT REV	
MOLEX INCORPORATED				REVISE ON CAD ONLY	
MATERIAL NO. SEE CHART		DRAWING NO. SD-54137-002		SHEET NO. 2 OF 3	
THIS DRAWING CONTAINS INFORMATION THAT IS PROPRIETARY TO MOLEX INCORPORATED AND SHOULD NOT BE USED WITHOUT WRITTEN PERMISSION.					SIZE B

DWG. NO.
SD-54137-002

引き出し方向
PULL OUT DIRECTION



44mm幅キャリアテープ
44mm WIDTH CARRIER TAPE

44	49.4	45.4	29.1	54137-1078	100
			26.6	54137-0978	90
			24.1	54137-0878	80
キャリアテープ幅 CARRIER TAPE WIDTH	C	B	(A)	MATERIAL NO.	極数 CK+

DO NOT SCALE DRAWING

EC NO. DRWN: CHK: APPR:	EC NO. DRWN: CHK: APPR:	EC NO. DRWN: CHK: APPR:	EC NO. DRWN: CHK: APPR:	EC NO. DRWN: CHK: APPR:	RELEASED	MATERIAL 材料	GENERAL TOLERANCES: (UNLESS SPECIFIED) 一般公差	SCALE — # —	MODEL NO.	DESIGN UNITS	DIMENSIONS:			SHT	REV
					EC NO.-J2004-2630				注記参照 SEE SHEET 1 OF 3	54137-***78	<input checked="" type="checkbox"/> mm <input type="checkbox"/> INCH	<input type="checkbox"/> mm <input type="checkbox"/> INCH	<input type="checkbox"/> mm ONLY		
					DRWN: Y.WADA '04/02/24 CHK: M.SASAO '04/02/24 APPR: M.SASAO '04/02/24					THIRD ANGLE PROJECTION	<input type="checkbox"/> mm <input type="checkbox"/> INCH	<input checked="" type="checkbox"/> mm ONLY			
0	FINISH 仕上げ	10 UNDER 未満 ±0.2	DRAWN BY & DATE Y.WADA '04/02/24	TITLE: 0.5 B+B Conn Rec Assy With NailHgt=1.5 Embstp Pkg -LEAD FREE-											
	WIRE RANGE 適用電線範囲	10 OVER 30 UNDER 未満 ±0.25	CHECKED BY & DATE M.SASAO '04/02/24	MOLEX MOLEX INCORPORATED											
	INS. RANGE 被覆外径	30 OVER 以上 ±0.3	APPROVED BY & DATE M.SASAO '04/02/24	CAD FILENAME SD-54137-002.S03	MATERIAL NO. SEE CHART	DRAWING NO. SD-54137-002	SHEET NO. 3 OF 3	SIZE B							
		ANGLE 角度 ±3°	THIS DRAWING CONTAINS INFORMATION THAT IS PROPRIETARY TO MOLEX INCORPORATED AND SHOULD NOT BE USED WITHOUT WRITTEN PERMISSION.			EN-02J(097) MXJ-54									