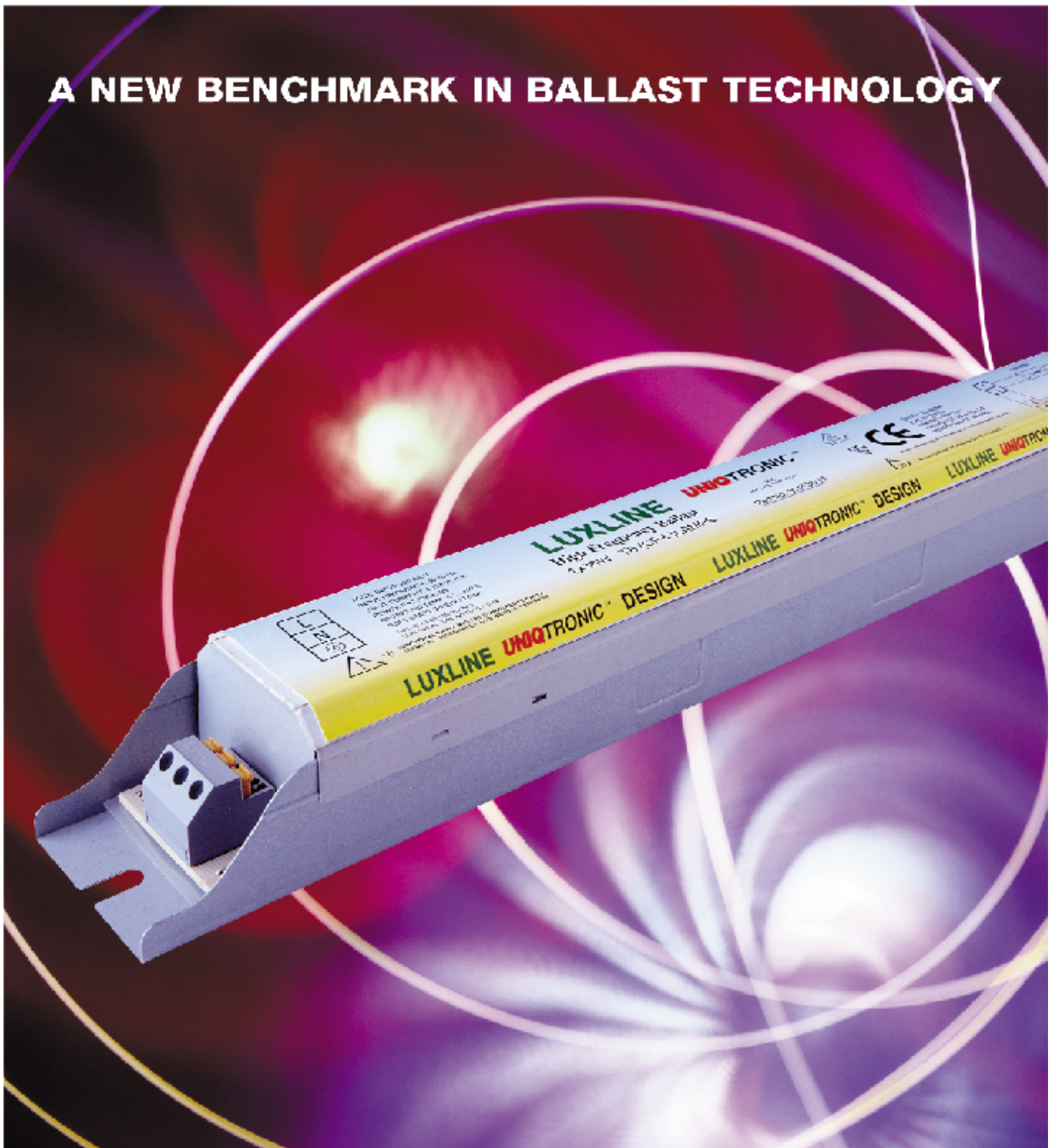


# SYLVANIA

LUXLINE UNIQTRONIC HIGH FREQUENCY ELECTRONIC BALLAST

A NEW BENCHMARK IN BALLAST TECHNOLOGY

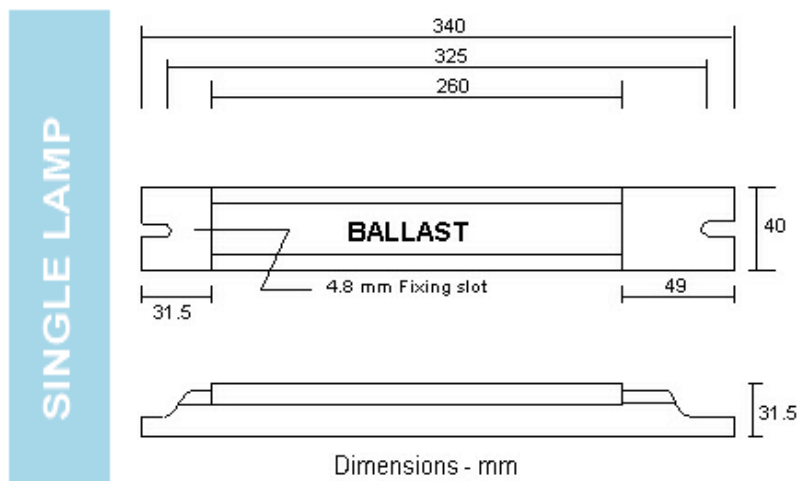


A SOURCE OF INSPIRATION

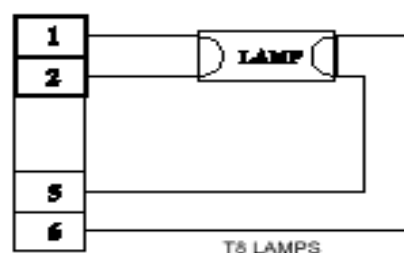
TYPE	CODE NUMBER	LAMP WATTAGE (W)	WEIGHT (g)	DIMENSIONS LxWxH (mm)	FIXING CTRS (mm)
<b>For T8 Long Lamps</b>					
1x18W T8 SLI118	41270	18	280	340x40x31.5	325
2x18W T8 SLI218	41271	18	300	340x40x31.5	325
3x18W T8 SLI318	41272	18	320	340x40x31.5	325
4x18W T8 SLI418	41273	18	310	340x40x31.5	325
1x36W T8 SLI136	41274	36	310	340x40x31.5	325
2x36W T8 SLI236	41275	36	310	340x40x31.5	325
3x36W T8 SLI336	41278	36	420	340x40x31.5	325
4x36W T8 SLI436	41279	36	400	340x40x31.5	325
1x58W T8 SLI158	41283	58	310	340x40x31.5	325
2x58W T8 SLI258	41276	58	350	340x40x31.5	325
1x70W T8 SLI170	41284	70	310	340x40x31.5	325
2x70W T8 SLI270	41277	70	350	340x40x31.5	325
<b>Dimming For T8 Long Lamps</b>					
1x18W T8 SLI-CLT/118/T8D		18	320	360x30x28	350
2x18W T8 SLI-CLT/218/T8D		18	400	430x30x28	420
1x36W T8 SLI-CLT/136/T8D		36	320	360x30x28	350
2x36W T8 SLI-CLT/236/T8D		36	400	430x30x28	420
1x58W T8 SLI-CLT/158/T8D		58	320	360x30x28	350
2x58W T8 SLI-CLT/258/T8D		58	400	430x30x28	420
1x70W T8 SLI-CLT/170/T8D		70	320	360x30x28	350
2x70W T8 SLI-CLT/270/T8D		70	600	430x42x28	415
<b>For LYNX Compact Long Lamps</b>					
1x18W L SLI/118/CBS	41270	18	280	340x40x31.5	325
2x18W L SLI/218/CBS	41271	18	300	340x40x31.5	325
1x36W L SLI/136/CBS	41274	36	310	340x40x31.5	325
2x36W L SLI/236/CBS	41280	36	310	340x40x31.5	325
2x40W L SLI/240/CBS	41281	40	310	340x40x31.5	325
2x55W L SLI/255/CBS	41282	55	350	340x40x31.5	325
<b>Dimming For LYNX Compact Long Lamps</b>					
1x36W L SLI-CLT/136/CBD		36	320	360x30x28	350
2x36W L SLI-CLT/236/CBD		36	400	430x30x28	420
1x40W L SLI-CLT/140/CBD		40	320	360x30x28	350
1x55W L SLI-CLT/155/CBD		55	320	360x30x28	350
2x55W L SLI-CLT/255/CBD		55	600	430x42x28	415
<b>For T5 Long Lamps</b>					
SLI/11435/T5 (Universal single)	41286	14	300	382x26.8x20.4	
		21			
		28			370
		35			
SLI/21428/T5 (Universal twin)	41285	14	300	382x26.8x20.4	
		21			370
		28			
SLI/3414/T5 (3x14 and 4x14)	41287	14	300	382x26.8x20.4	370
SLI/235/T5	41288	35	340	382x26.8x20.4	370

# SYLVANIA

## Single Lamp LUXLINE UNIQUOTRONIC™ Ballasts



2 leads (marked) as short as possible (<1.0m)  
other leads max 2.0m



**Wiring Diagram**

Specification	1x18w	1x36w	1x58w	1x70w
Part Number	SLI/118/T8	SLI/136/T8	SLI/158/T8	SLI/170/T8
Number of Lamps	1	1	1	1
System Power (w) (typical)	18	35	55	66
Lamps Power (w) (typical)	16	32	50	60
Voltage AC/DC	220-240	220-240	220-240	220-240
Input Voltage (v)	198-264	198-264	198-264	198-264
Input Current (A)	0.08	0.16	0.25	0.28
Input Frequency (Hz)	50-60	50-60	50-60	50-60
Operating Frequency (kHz)	23	25	25	27
Power Factor (Cos. Phi)	>0.95	>0.95	>0.95	>0.96
Lamp Voltage (v)	55	100	110	129
Lamp Current (A)	0.29	0.32	0.46	0.47
Lamp Starting Delay (s)	1.9	1.9	1.9	1.9
Pre-Heat Duration (s)	1.3	1.2	0.9	1.3
Operating Temperature (°c)	-15 to +50	-15 to +50	-15 to +50	-15 to +50
Max. Housing Temperature (°c)	65	65	70	70
Earth Leakage Current (mA)	<0.5	<0.5	<0.5	<0.5
Weight (Kg)	0.280	0.310	0.310	0.310

Maximum Relative Humidity : No Condensation

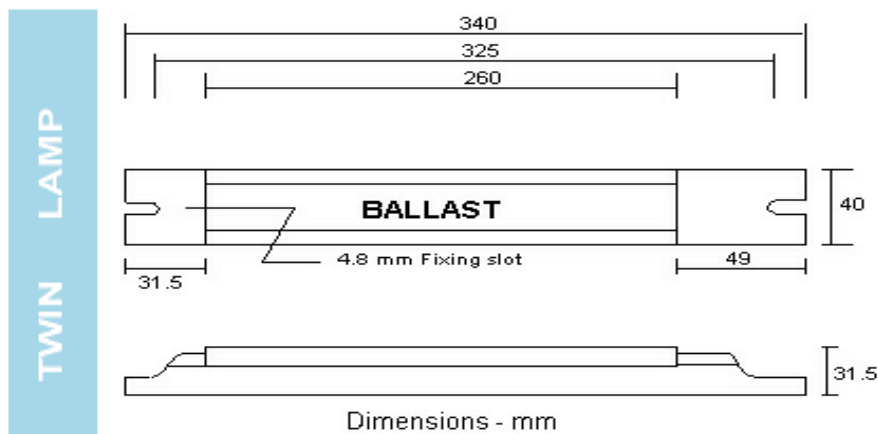
Installation Wiring : 0.75 - 1.5mm

Sylvania reserves the right to modify the above specifications without prior notification

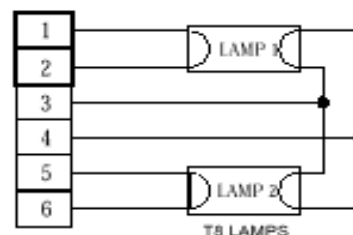
\* Sylvania's ballasts are specified for INDOOR use only.

# SYLVANIA

## Twin Lamp LUXLINE UNIQUOTRONIC™ Ballasts



4 leads (marked) as short as possible (<1.0m)  
other leads max 2.0m



**Wiring Diagram**

### Specification

**2x18w**

**2x36w**

**2x58w**

**2x70w**

Part Number	SLI/218/T8S	SLI/236/T8S	SLI/258/T8S	SLI/270/T8S
Number of Lamps	2	2	2	2
System Power (w) (typical)	35	71	110	133
Lamps Power (w) (typical)	16	32	50	60
Voltage AC/DC	220-240	220-240	220-240	220-240
Input Voltage (v)	198-264	198-264	198-264	198-264
Input Current (A)	0.16	0.31	0.49	0.57
Input Frequency (Hz)	50	50	50	50
Operating Frequency (kHz)	23	23	25	27
Power Factor (Cos. Phi)	> 0.95	> 0.95	>0.97	>0.97
Lamp Voltage (v)	55	100	110	129
Lamp Current (A)	0.29	0.32	0.46	0.47
Lamp Starting Delay (s)	1.9	2	1.9	2
Pre-Heat Duration (s)	1.2	1.3	1.3	1.4
Operating Temperature (°c)	-15 to +50	-15 to +50	-15 to +50	-15 to +50
Max. Housing Temperature (°c)	65	70	75	75
Earth Leakage Current (mA)	< 0.5	< 0.5	< 0.5	<0.5
Weight (Kg)	0.300	0.310	0.350	0.350

Maximum Relative Humidity : No Condensation.

Installation Wiring : 0.75 - 1.5mm

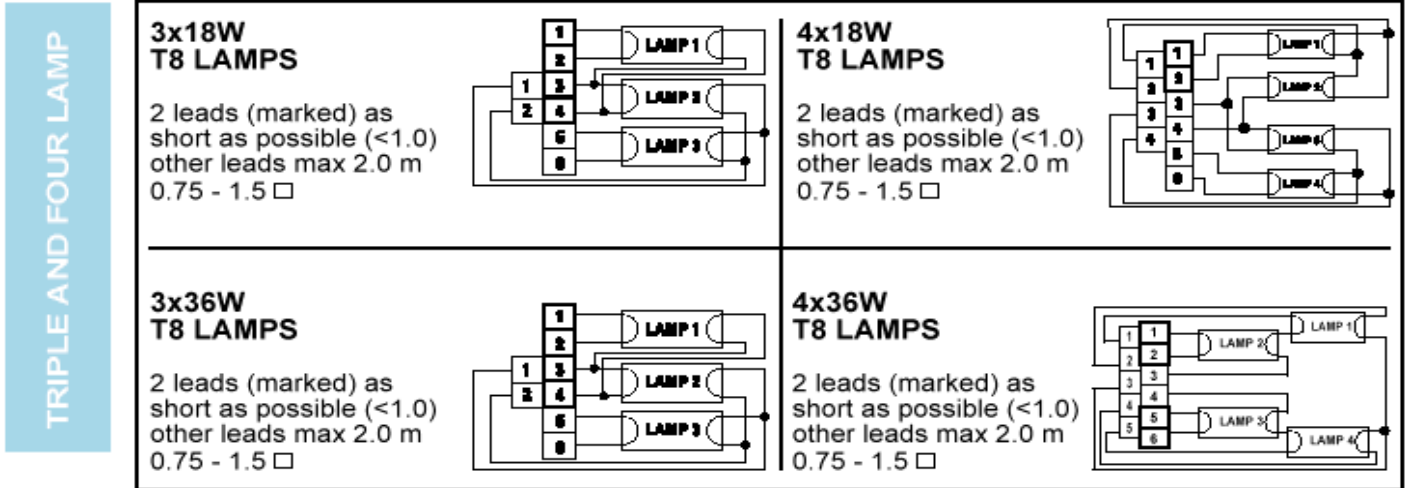
Sylvania reserves the right to modify the above specifications without prior notification

\* Sylvania's ballasts are specified for INDOOR use only.



# SYLVANIA

## Triple and Four Lamp LUXLINE UNIQUETRONIC™ Ballasts



### Specification

### 3x18w

### 3x36w

### 4x18w

### 4x36w

Part Number	SLI/318/T8S	SLI/336/T8S	SLI/418/T8S	SLI/436/T8
Number of Lamps	3	3	4	4
System Power (w) (typical)	53	108	74	146
Lamps Power (w) (typical)	16	32	16	32
Voltage AC/DC	220-240	220-240	220-240	220-240
Input Voltage (v)	198-264	198-264	198-264	198-264
Input Current (A)	0.23	0.48	0.32	0.62
Input Frequency (Hz)	50	50	50	50
Operating Frequency (kHz)	24	29	22.5	27
Power Factor (Cos. Phi)	> 0.95	>0.97	> 0.95	>0.98
Lamp Voltage (v)	55	100	55	100
Lamp Current (A)	0.29	0.32	0.29	0.32
Lamp Starting Delay (s)	1.9	3	2.2	3.2
Pre-Heat Duration (s)	1.3	2.4	1.7	2.3
Operating Temperature (°c)	-15 to +50	-15 to +50	-15 to +50	-15 to +50
Max. Housing Temperature (°c)	70	70	70	75
Earth Leakage Current (mA)	< 0.5	< 0.5	< 0.5	<0.5
Weight (Kg)	0.320	0.320	0.310	0.400

Maximum Relative Humidity : No Condensation

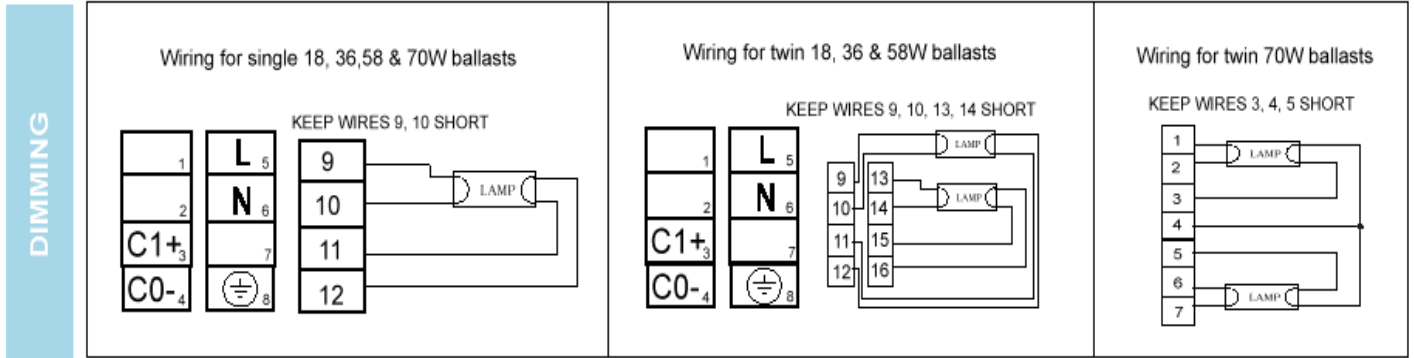
Installation Wiring : 0.75 - 1.5mm

Sylvania reserves the right to modify the above specifications without prior notification

\* Sylvania's ballasts are specified for INDOOR use only.

# SYLVANIA

## Single and Twin Dimmable 18W 36W 58W & 70W Ballasts



### Specification

**1x18w      1x36w      1x58w      1x70w      2x18w      2x36w      2x58w      2x70w**

Part Number	CLT/118/T8D	CLT/136/T8D	CLT/158/T8D	CLT/170/T8D	CLT/218/T8D	CLT/236/T8D	CLT/258/T8D	CLT/270/T8D
Number of Lamps	1	1	1	1	2	2	2	2
System Power (w)	20	38	58	68	38	72	116	134
Lamps Power (w)	16	32	50	60	16	32	50	60
Input voltage range (VAC)	230-240	230-240	230-240	230-240	230-240	230-240	230-240	230-240
Input voltage range (VDC)	180-300	180-300	180-300	180-300	180-300	180-300	180-300	180-300
Input Current (A)	0.11	0.17	0.26	0.31	0.18	0.32	0.50	0.60
Input Frequency (Hz)	50-60	50-60	50-60	50-60	50-60	50-60	50-60	50-60
Operating Frequency (kHz)	32-70	40-70	40-70	30-70	34-62	30-60	30-60	30-70
Power Factor (Cos. 0)	0.98	0.98	0.98	0.98	0.98	0.98	0.98	0.98
Lamp Voltage (v)	55	100	111	129	55	100	111	129
Lamp Current (mA)	290	320	455	470	290	320	455	470
Lamp Starting Delay (s)	<2	<2	<2	<2	<2	<2	<2	<2
Pre-Heat Duration (s)	<2	<2	<2	<2	<2	<2	<2	<2
Operating Temperature (°c)	0...+50	0...+50	0...+50	15...+50	0...+50	0...+50	0...+50	15...+50
Max. Housing Temperature (°c)	75 / 80	75 / 80	75 / 80	75	75 / 80	75 / 80	75 / 80	75
Earth Leakage Current (mA)	<0.5	<0.5	<0.5	0.3	<0.5	<0.5	<0.5	0.3
Control Voltage (VDC)	1-10	1-10	1-10	1-10	1-10	1-10	1-10	1-10
Control Current (mA)	<1.0	<1.0	<1.0	<1.0	<1.0	<1.0	<1.0	<1.0
Dimming Range	5-100%	5-100%	5-100%	5-100%	5-100%	5-100%	5-100%	5-100%
Weight (Kg)	320	320	320	320	400	400	400	600

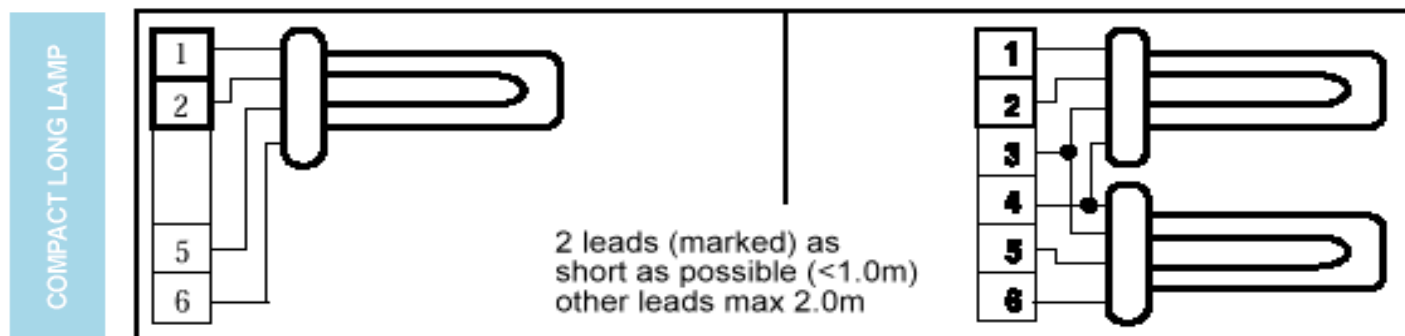
Maximum Relative Humidity : No Condensator      Installation Wiring : 0.75 - 1.5mm

Clalight reserves the right to modify the above specifications without prior notification

\* Clalight's ballasts are specified for INDOOR use only.

# SYLVANIA

## Single and Twin Compact 36w, 40w and 55w LUXLINE UNIQUOTRONIC™ Ballasts



### Compact PL/L Lamps

Specification	1x18w	1x36w	2x18w	2x36w	2x40w	2x55w
Part Number	SLI/118/T8	SLI/136/T8	SLI/218/T8S	SLI/236/CBS	SLI/240/CBS	SLI/255/CBS
Number of Lamps	1	1	2	2	2	2
System Power (w) (typical)	18	35	35	70	87.4	121
Lamps Power (w) (typical)	16	32	16	32	40	55
Voltage AC/DC	220-240	220-240	220-240	220-240	220-240	220-240
Input Voltage (v)	198-264	198-264	198-264	198-264	198-264	198-264
Input Current (A)	0.08	0.15	0.16	0.33	0.40	0.54
Input Frequency (Hz)	50-60	50-60	50	50	50	50
Operating Frequency (kHz)	23	25	23	26.4	25	23.4
Power Factor (Cos. Phi)	>0.95	>0.95	> 0.95	> 0.95	> 0.95	> 0.97
Lamp Voltage (v)	55	100	55	89	126	100
Lamp Current (A)	0.29	0.32	0.29	0.36	0.32	0.55
Lamp Starting Delay (s)	1.9	1.9	1.9	2	2.1	2.3
Pre-Heat Duration (s)	1.3	1.2	1.2	1.4	1.6	1.8
Operating Temperature (°c)	-15 to +50	-15 to +50	-15 to +50	-15 to +50	-15 to +50	-15 to +50
Max. Housing Temperature (°c)	65	70	65	70	70	70
Earth Leakage Current (mA)	<0.5	<0.5	< 0.5	< 0.5	< 05	< 0.5
Weight (kg)	0.280	0.310	0.300	0.310	0.350	0.350

Maximum Relative Humidity : No Condensation.

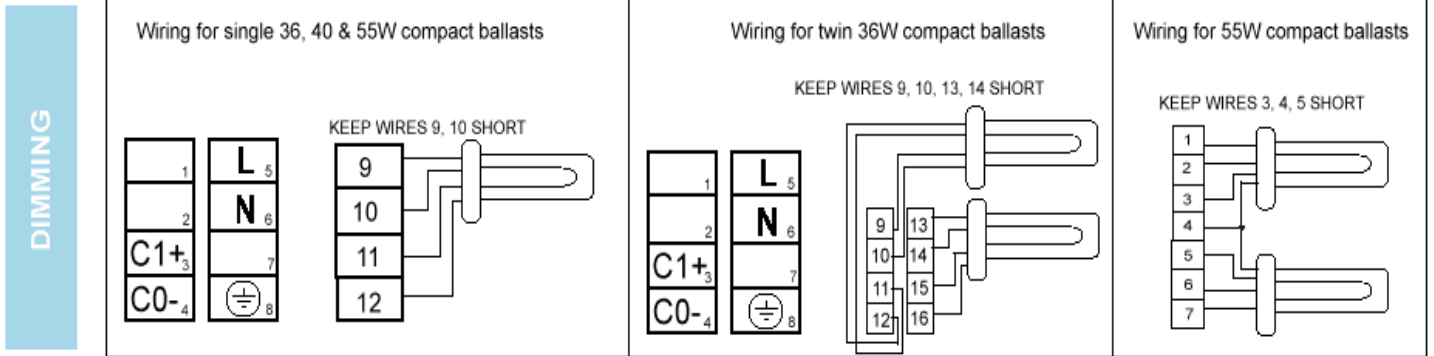
Installation Wiring : 0.75 - 1.5mm

Sylvania reserves the right to modify the above specifications without prior notification

\* Sylvania's ballasts are specified for INDOOR use only.

# SYLVANIA

## Single and Twin Compact Long Dimmable Ballasts



Specification	1x36w	1x40w	1x55w	2x36w	2x55w
Part Number	CLT/136/CBD	CLT/140/CBD	CLT/155/CBD	CLT/236/CBD	CLT/255/CBD
Number of Lamps	1	1	1	2	2
System Power (w)	37	44	64	72	123
Lamps Power (w)	32	40	55	32	55
Input voltage range (VAC)	230-240	230-240	230-240	230-240	230-240
Input voltage range (VDC)	180-300	180-300	180-300	180-300	180-300
Input Current (A)	0.17	0.20	0.28	0.32	0.55
Input Frequency (Hz)	50-60	50-60	50-60	50-60	50-60
Operating Frequency (kHz)	40-56	45-73	40-70	40-74	27-74
Power Factor (Cos. Phi)	0.98	0.98	0.98	0.98	0.98
Lamp Voltage (v)	98	126	101	90	101
Lamp Current (mA)	320	320	550	360	550
Lamp Starting Delay (s)	<2	<2	<2	<2	<2
Pre-Heat Duration (s)	<2	<2	<2	<2	<2
Operating Temperature (°c)	0...+50	+15...+50	+15...+50	0...+50	+15...+50
Max. Housing Temperature (°c)	75/80	75/80	75/80	75/80	75/80
Earth Leakage Current (mA)	0.3	0.3	0.3	0.3	0.3
Control Voltage (VDC)	1-10	1-10	1-10	1-10	1-10
Control Current (mA)	<1.0	<1.0	<1.0	<1.0	<1.0
Dimming Range	5-100%	5-100%	5-100%	5-100%	5-100%
Weight (Kg)	320	320	320	400	600

Maximum Relative Humidity : No Condensation

Installation Wiring : 0.75 - 1.5mm

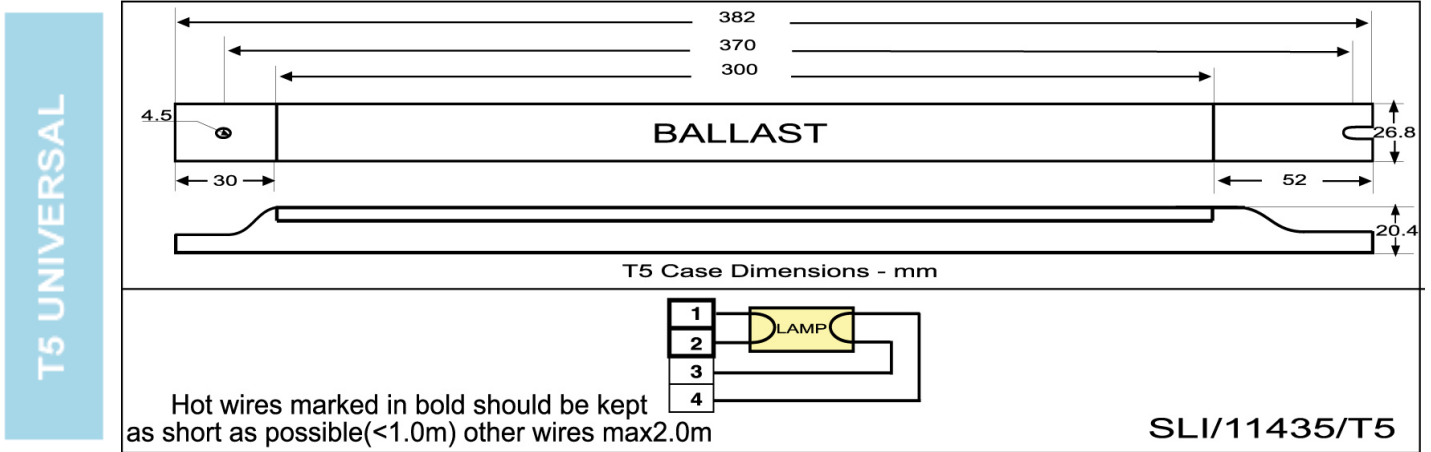
Clalight reserves the right to modify the above specifications without prior notification

\* Clalight's ballasts are specified for INDOOR use only.



# SYLVANIA

## Single Universal T5 14w, 21w, 28w and 35w **LUXLINE UNIQTRONIC™** Ballast



Specification	1x14w	1x21w	1x28w	1x35w
Part Number	SLI/11435/T5	SLI/11435/T5	SLI/11435/T5	SLI/11435/T5
Number of Lamps	1	1	1	1
System Power (w)	17	24.5	32	40
Lamp Power (w)	14	21	28	35
Voltage AC/DC	220-240	220-240	220-240	220-240
Input Voltage (v)	198-264	198-264	198-264	198-264
Input Current (A)	0.08	0.11	0.15	0.18
Input Frequency (Hz)	50	50	50	50
Operating Frequency (kHz)	22	22	22	22
Power Factor (Cos Phi)	>0.95	>0.96	>0.97	>0.98
Lamp Voltage (v)	82	123	167	209
Lamp Current (A)	0.17	0.17	0.17	0.17
Lamp Starting Delay (sec.)	2.1	2.1	2.1	2.1
Pre-Heat Duration (sec.)	1.5	1.5	1.5	1.5
Operating Temperature (°c)	-15 to +50	-15 to +50	-15 to +50	-15 to +50
Max. Housing Temperature (°c)	70	70	70	70
Earth Leakage Current (mA)	<0.5	<0.5	<0.5	<0.5
Weight (Kg)				

Maximum Relative Humidity : No Condensation

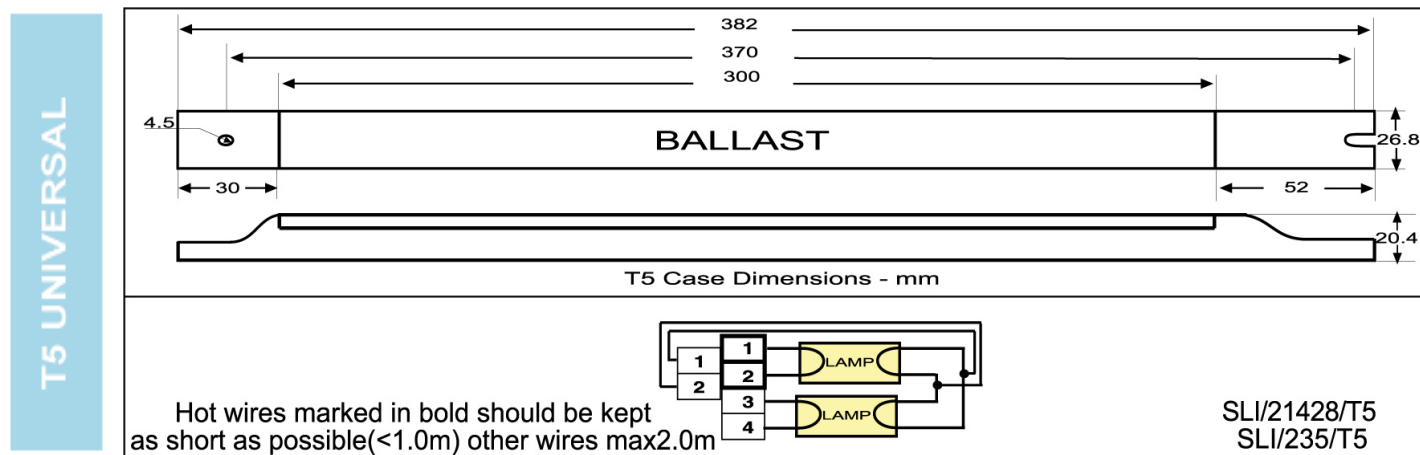
Installation Wiring : 0.75 - 1.5mm

Sylvania reserves the right to modify the above specifications without prior notification

\* Sylvania's ballasts are specified for INDOOR use only.

# SYLVANIA

## Twin Universal T5 14w, 21w and 28w LUXLINE UNIQUOTRONIC™ Ballast



### Specification

### 2x14w

### 2x21w

### 2x28w

### 2x35w

Part Number	SLI/21428/T5	SLI/21428/T5	SLI/21428/T5	SLI/235/T5
Number of Lamps	2	2	2	2
System Power (w)	32	48	64	80
Lamp Power (w)	14	21	28	35
Voltage AC/DC	220-240	220-240	220-240	220-240
Input Voltage (v)	198-264	198-264	198-264	198-264
Input Current (A)	0.15	0.22	0.29	0.36
Input Frequency (Hz)	50	50	50	50
Operating Frequency (kHz)	30	30	30	30
Power Factor (Cos Phi)	>0.95	>0.96	>0.97	>0.98
Lamp Voltage (v)	82	123	167	209
Lamp Current (A)	0.17	0.17	0.17	0.17
Lamp Starting Delay (sec.)	2.1	2.1	2.1	2.1
Pre-Heat Duration (sec.)	1.5	1.5	1.5	1.5
Operating Temperature (°c)	-15 to +50	-15 to +50	-15 to +50	-15 to +50
Max. Housing Temperature (°c)	75	75	75	75
Earth Leakage Current (mA)	<0.5	<0.5	<0.5	<0.5
Weight (Kg)	0.300	0.300	0.300	0.340

Maximum Relative Humidity : No Condensation.

Installation Wiring : 0.75 - 1.5mm

Sylvania reserves the right to modify the above specifications without prior notification

\* Sylvania's ballasts are specified for INDOOR use only.