

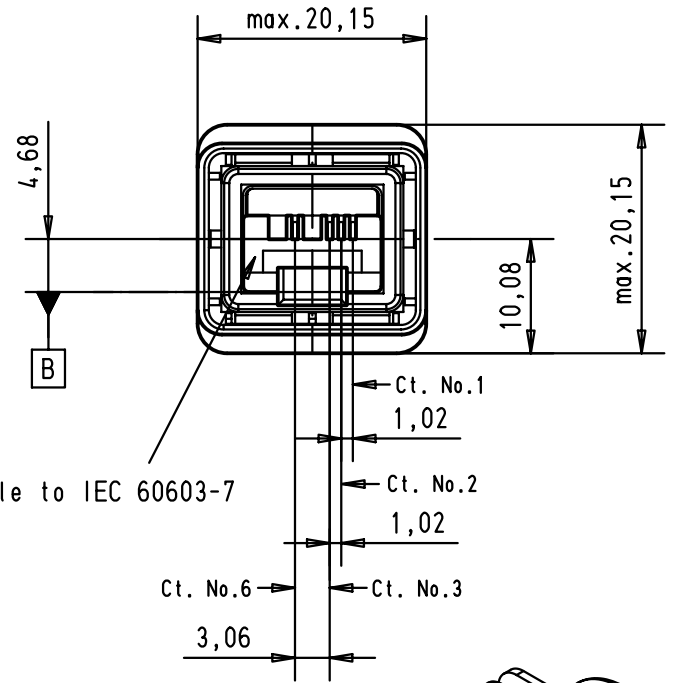
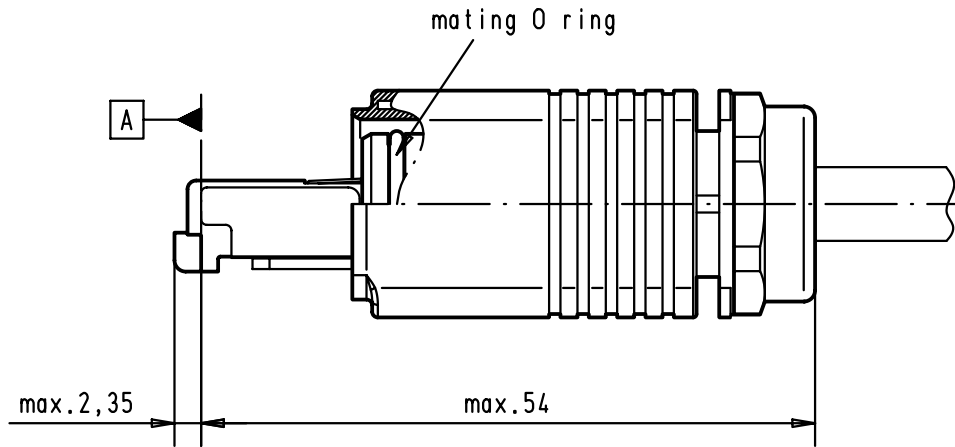
5

4

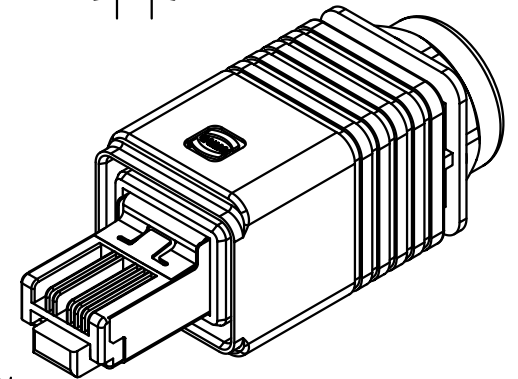
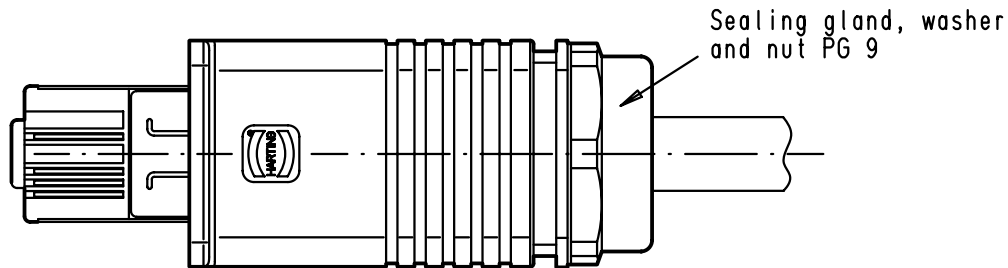
3

2

1



mating face compatible to IEC 60603-7



Plug according to 61076-3-106 IEC - variant 04

Cable diameter : 6,5 to 7,2 mm
 AWG 22 to AWG 23 solid &
 AWG 22 to AWG 24 stranded
 With wires O.D. max. 1.6 mm.

				Dot.	Name	<p>All Dim. in mm Orig. Size DIN A 4</p>	Push pull RJ Industrial Thermoplastic IP67 Shielded Plug with 4 datas contacts	Maßstab/ Scale 1,5:1	
				Detail.	10-oct-02				JFB
				Insp.					
				Stand.					
09 45 145 11 00	Au: 1,27 µm over nickel	31394	18-fev-03	PP	HARTING EURL F-95972 Paris		TB 09 45 145 11 00	Blatt/ Page 1	
Part number	Data contact plating	Mod.	Dot.	Name			Sub. RP 090182-27-0X		

A

B

C

D