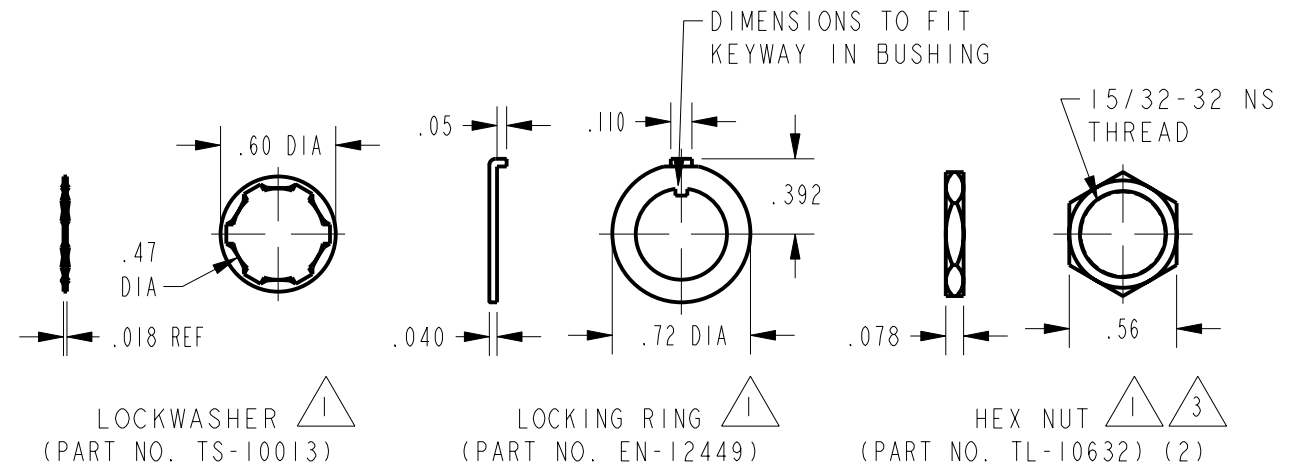
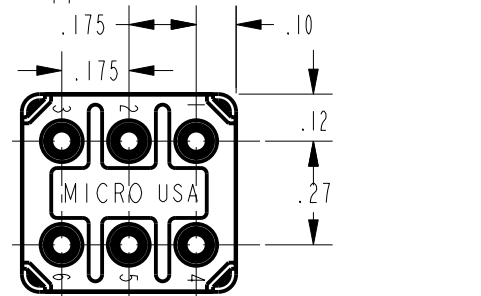
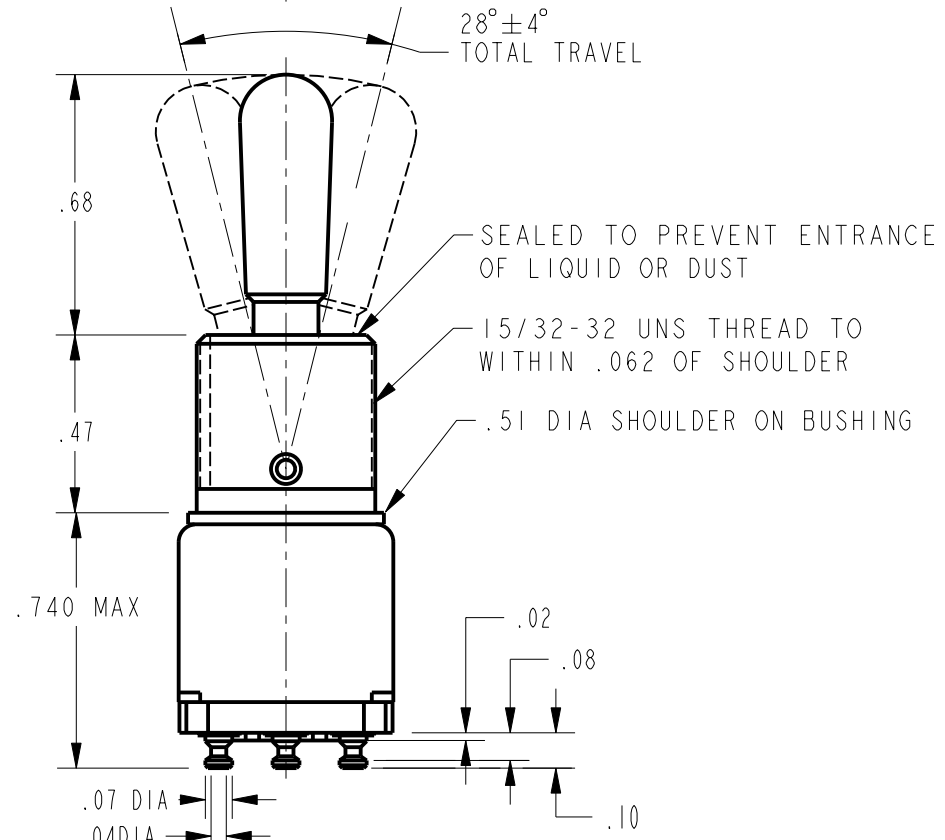
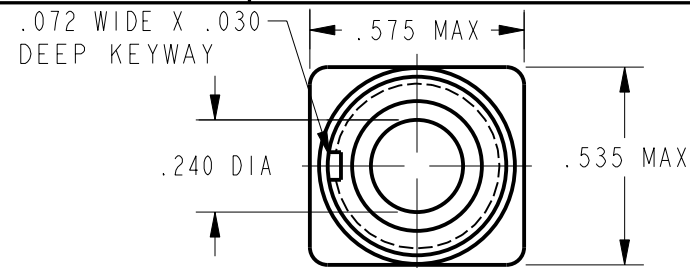


**MICRO SWITCH**  
a Honeywell Division

FED. MFG. CODE 91929

**SWITCH - TOGGLE**

CATALOG LISTING  
**12TW1 SERIES**  
**CHART 1**



CATALOG LISTING	ONE EXTREME POSITION (KEYWAY)		CENTER POSITION		OTHER EXTREME POSITION (OPPOSITE KEYWAY)		MS NUMBER
	2-1	5-4	1-2	4-5	2-3	5-6	
12TW1-1	ON		OFF		ON		MS27719-21-1
12TW1-2	OFF		NONE		ON		MS27719-22-1
12TW1-3	ON		NONE		ON		MS27719-23-1
12TW1-5	MOM ON		OFF		ON		MS27719-31-1
12TW1-7	MOM ON		OFF		MOM ON		MS27719-27-1
12TW1-8	MOM ON		NONE		ON		MS27719-26-1
(D)	NONE		ON		ON		

NOTES  
 1 - FURNISHED UNASSEMBLED  
 2 - TERMINALS ARE PLATED FOR SOLDERING

CATALOG LISTING  
**12TW1 SERIES CHART 1**

ISSUE  
**20**

REVISIONS

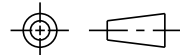
A	CO 61252	MAM	18 MAR 87
B	CO62194	T S K	21 AUG 87
C	CO62939	T S K	24 FEB 88
D	CO-95308	LJK	10 NOV 99

PTC/CAD 2D  
DRAWN LJK  
CHECK JAF  
10NOV99

REPLACES PR-150  
RELEASE NO. PR-150  
PAGE 1 OF 1  
CHECK 10NOV99

THIS DRAWING COVERS A PROPRIETARY ITEM AND IS THE PROPERTY OF MICRO SWITCH, A DIVISION OF HONEYWELL. THIS DRAWING IS NOT TO BE COPIED OR USED WITHOUT THE APPROVAL OF MICRO SWITCH

THIRD ANGLE PROJECTION



CHARACTERISTICS

ELECTRICAL DATA

SCALE 2 : 1

CONTACT ARRANGEMENT

DO NOT SCALE PRINT

5A-125 VAC

-L117-



UNLESS OTHERWISE SPECIFIED TOLERANCES ARE

ONE PLACE (.0) ±.030

TWO PLACE (.00) ±.015

THREE PLACE (.000) ±.005

ANGLES ±

WEIGHT .025 LB MAX

ANSI Y14.5M-1982 APPLIES