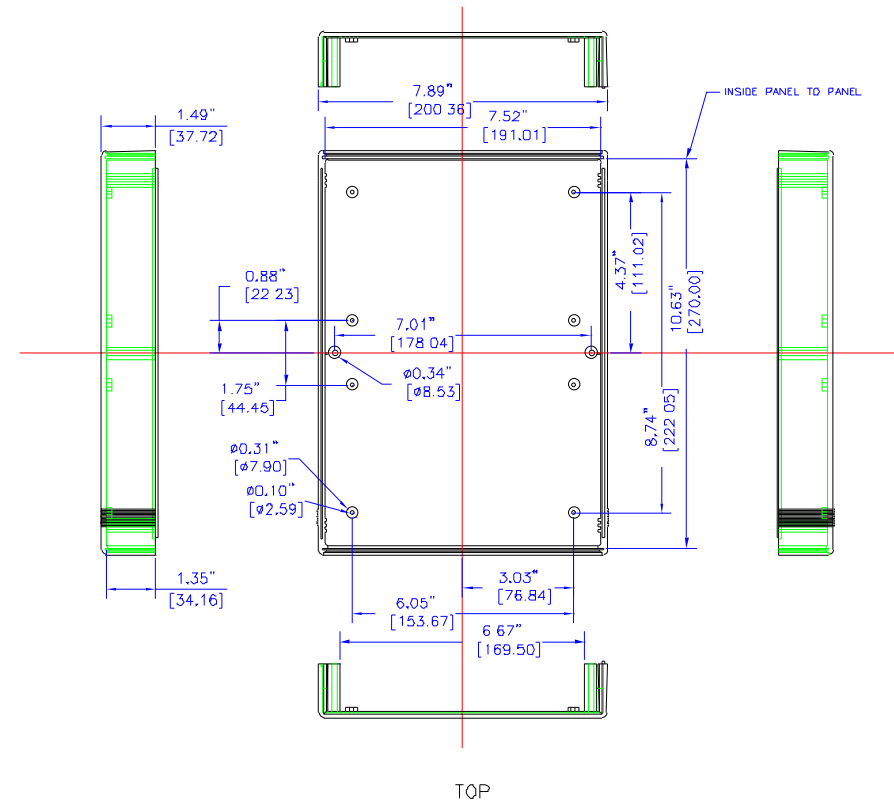
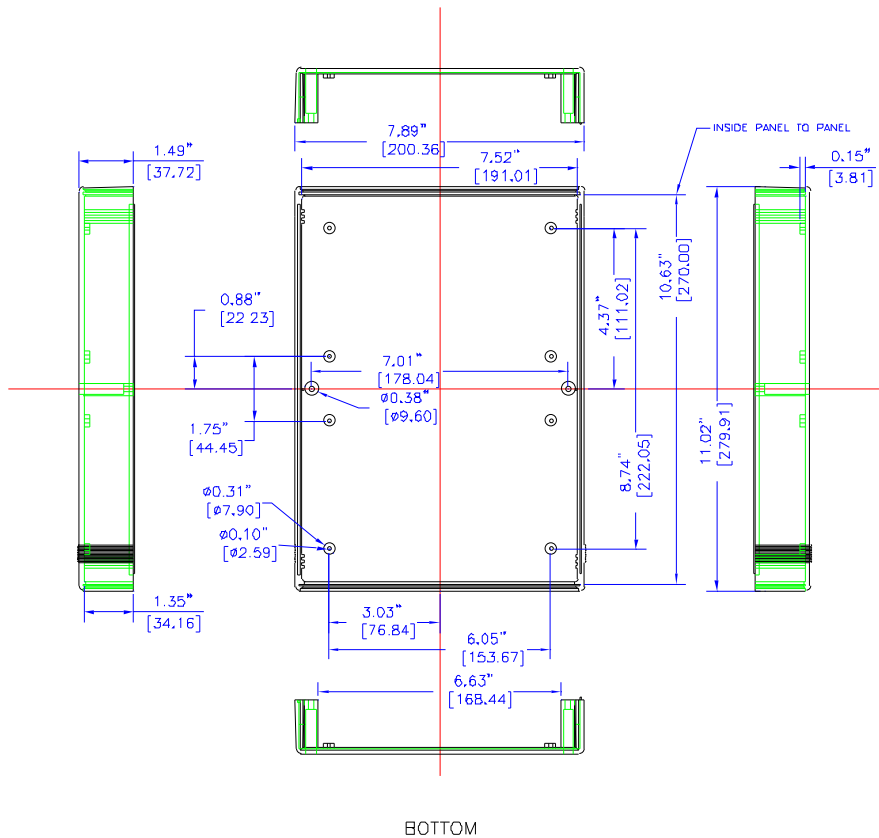
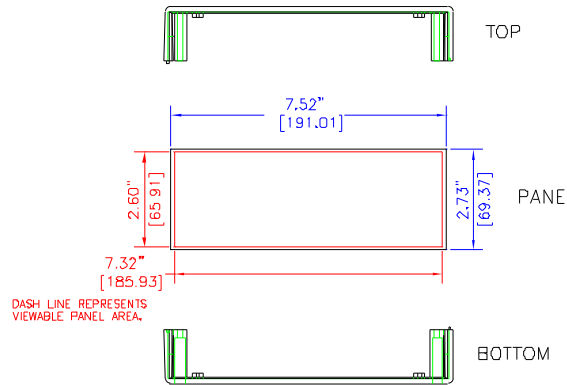


# NOTES

MATERIAL: MOLDED USING EITHER FLAME RETARDANT ABS PLASTIC OR POLYSTYRENE  
 PARTS: COMES WITH 2 0.064" BRUSHED ALUMINUM PANELS, AND 4 RUBBER FEET. ABS VERSION COMES WITH M3 0.5 X 10MM PHILLIPS MACHINE SCREWS THREADED INTO BRASS INSERTS. STYRENE COMES WITH #4 X 5/8" SELF TAPPING SCREWS.  
 COLOR: CHOICE OF BLACK OR GRAY.  
 OPTIONS: PLASTIC FRONT & REAR PANELS. EMI/RFI SHIELDING.



UNLESS OTHERWISE SPECIFIED  
 DIMENSIONS ARE IN INCHES  
 X +/- .1  
 XX +/- .06  
 XXX +/- .015  
 CUTS +/- .005  
 ANGLES +/- .5 DEG.  
 NOTICE  
 HAMMOND HAS NO LIABILITY FOR THE MATERIAL OR THIS DRAWING IF IT IS USED FOR ANY OTHER PURPOSE. THIS INFORMATION IS FOR INFORMATION ONLY. THIS INFORMATION MAY NOT BE USED TO MANUFACTURE A PRODUCT WITHOUT WRITTEN PERMISSION FROM HAMMOND MANUFACTURING.



HAMMOND  
 MANUFACTURING

WEB WWW.HAMMONDMFG.COM

TITLE HAMMOND 1598 SERIES INSTRUMENT ENCLOSURE

DRAWN BY MJM DATE 07/12/00

SCALE PAGE 1 OF 1

PART NUMBER

1598J