




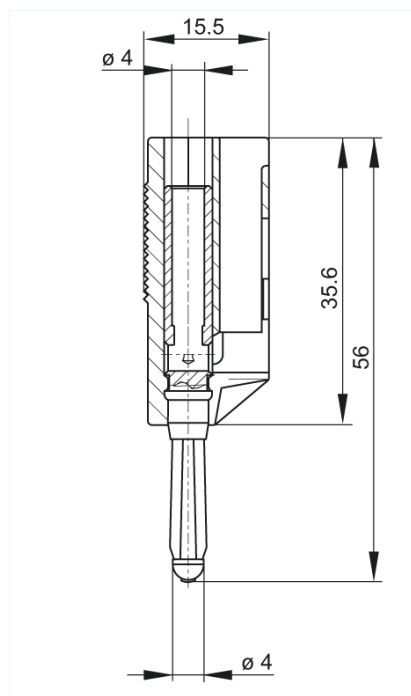
BSB 20 K rot/red

Industrial Connectors:Measuring and Testing Equipment:Plugs:4 mm system

Product description

Description	Multiple-spring wire plug with longitudinal or transverse cable entry in tower construction. Screw connection up to maximum cable cross-section of 2.5 mm ² and external diameter of 4 mm. Nickel-plated brass contact material.
Type	BSB 20 K rot/red
Order No.	930 729-101
System	4 mm system
Housing Color	red
Color types	
Other standard types	black color, order no. 930 729-100; blue color, order no. 930 729-102; yellow color, order no. 930 729-103; green color, order no. 930 729-104

Drawing



Technical data

Pin dimensions	4 mm
Type of contact	pin (spring-loaded), socket
Type of termination	screw
Rated voltage	DC 60 V
Rated current	30 A
Contact resistance	3 mOhm
Material	
Contact material	brass
Contact surface material	nickel-plated
Housing material	PP
Environmental conditions	
Temperature range	-25 °C to +100 °C
Inflammability class	
Housing	94 V-2