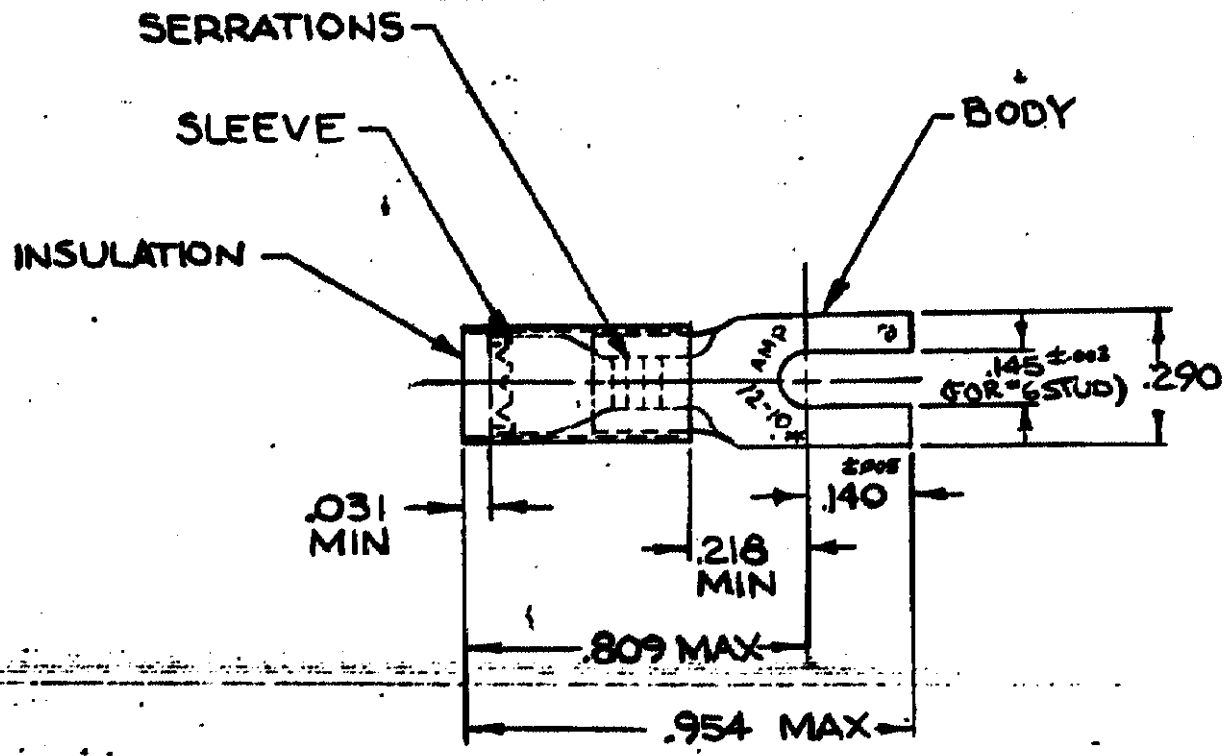


© 1960 BY AMP INCORPORATED. ALL RIGHTS RESERVED. AMP PRODUCTS COVERED BY PATENTS AND/OR PATENTS PENDING.

REVISIONS					
LTN	DESCRIPTION	DATE	APPROVED		
A	REDRAWN & REV. P-6080	MM 5-8-70	Yme		
B	ADDED TAPE NO. 1-322985-0	FE 5-11-71	2B F		
C	REV PER G-4732	JT 7/26/78	PT		
D	REV/ 0720-0060-93	4-6-93	TS/ml		



TONGUE MATERIAL THK = .040 ± .002  
FOR .150 TO .230 WIRE INSULATION DIA

50	LOOSE PC, BOX	8-322985-2	BODY: COPPER (QQ-C-576) TIN PL (MIL-T-10727) SLEEVE: COPPER (QQ-C-576) INSULATION: NYLON COLOR: YELLOW
	322985 ON TAPE	1-322985-0	
	WIRE TERMINAL	322985	
QTY	DESCRIPTION	PART NO.	MATERIAL & FINISH

UNLESS OTHERWISE SPECIFIED DIMENSIONS ARE IN INCHES. TOLERANCES ON DECIMALS: ± .005 ANGLES: ± 5°

MATERIAL: SEE TABLE

CONTRACT NO.	4
DR.	W. H. Miller 5-7-70
CHKD.	J. W. Cunningham 5-8-70
APPR.	J. W. Miller 5-11-70
REL.	J. W. Miller 5-11-70
DSGN APPD.	J. W. Miller 5-11-70
OTHER APPD.	

**AMP** AMP INC. 410-141-D HARRISBURG, PENNSYLV. 17110

NAME: WIRE TERMINAL  
P.I.D.G - SPADE  
WIRE SIZE: 12-10

SIZE	CODE IDENT NO.	NUMBER
A	00779	322985

SCALE: NTS SHEET 1 OF 1