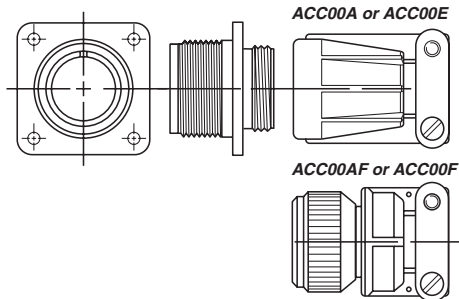


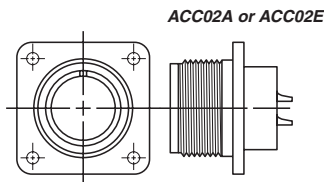
AMPHE-POWER® 5015 CONNECTOR STYLES

The 5015 Standard Cylindrical Series offers a wide range of shell styles which can be enhanced with RADSOK high amperage contacts

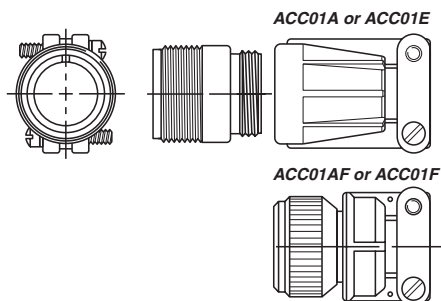
WALL MOUNT RECEPTACLES



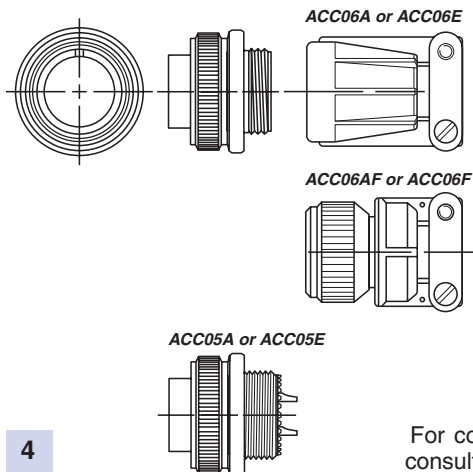
BOX MOUNT RECEPTACLES



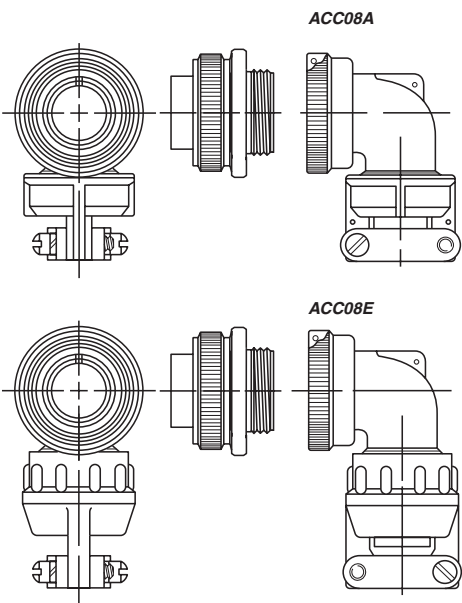
INLINE RECEPTACLES



STRAIGHT PLUGS

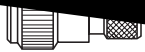


90 DEGREE PLUGS

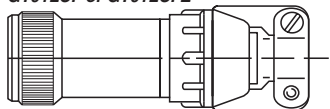


For complete dimensional information on 5015 connector styles, consult Amphenol AC Catalog 12-025.

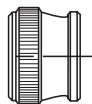
S
•
F
P



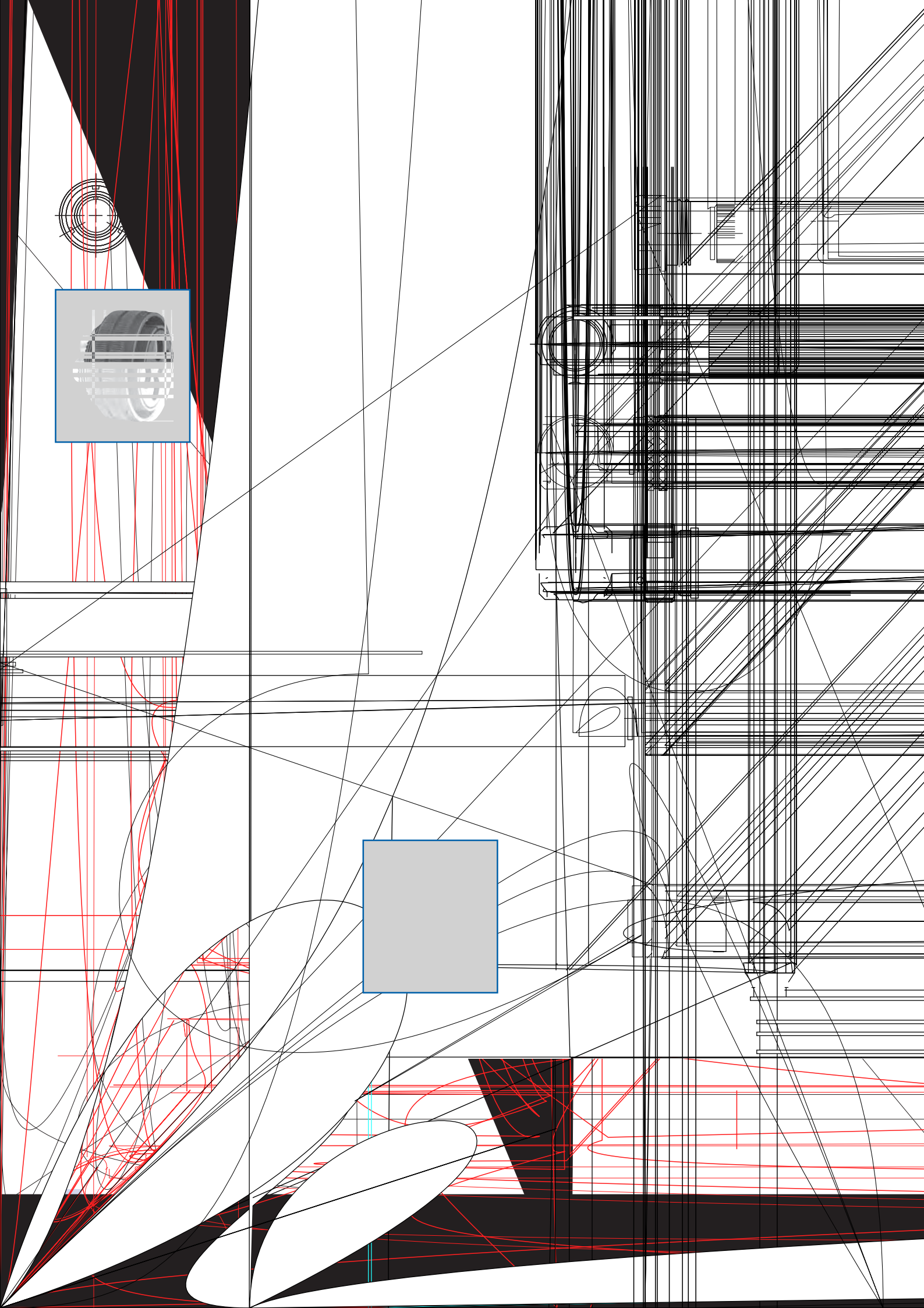
GT01LCF or GT01LCFZ



GT01RV

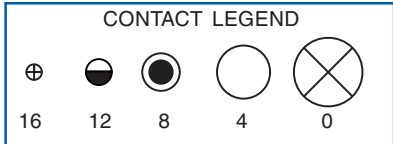


For complete dimensional information on GT Series connector styles, consult Amphenol catalog 12-024.



RADSOK Layouts

The following RADSOK layouts incorporate RADSOK sockets in sizes 8, 4, and 0, with standard contacts in sizes 16 and 12. All patterns are available in GT Series and Threaded 5015 Series. Only shell sizes 18-28 are available in P-Lok. Consult Amphenol Industrial, Fraser, MI for availability of P-Lok.

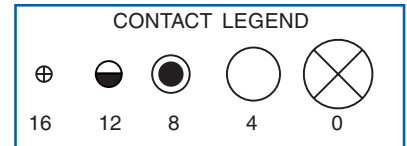


1 Contact	14-3	16-12	18-6	18-7	20-2	22-7
No./Size of Contacts Service Rating	1 #8 A	1 #4 A	1 #4 D	1 #8 B	1 #0 D	1 #0 E
2 Contacts	18-14	20-12	20-23	22-1	24-9	
No./Size of Contacts Service Rating	1 #4, 1 #16 A	1 #4, 1 #16 A	2 #8 A	2 #8 D	2 #4 A	
	28-7	32-5	3 Contacts	16-7	20-19	20-51
No./Size of Contacts Service Rating	2 #4 D	2 #0 D		1 #8, 2 #16 A	3 #8 A	3 #8 A
	20-59	22-2	22-6	22-21	22-80	
No./Size of Contacts Service Rating	3 #8 for #10 or 12 wire A	3 #8 D	2 #8, 1 #16 D	1 #0, 2 #16 A	3 #8 for #10 or 12 wire A	
	28-3	28-6	36-4	4 Contacts	18-13	
No./Size of Contacts Service Rating	3 #8 E	3 #4 D	3 #0 A = D; C = A		1 #8, 3 #12 A	
	20-20	20-24	22-4	22-22	24-22	
No./Size of Contacts Service Rating	1 #4, 3 #12 A	2 #8, 2 #16 A	2 #8, 2 #12 A	4 #8 A	4 #8 D	

For availability of other insert arrangements, consult Amphenol, Sidney, NY.

RADSOK Layouts

The following RADSOK layouts incorporate RADSOK sockets in sizes 8, 4, and 0, with standard contacts in sizes 16 and 12. All patterns are available in GT Series and Threaded 5015 Series. Only shell sizes 18-28 are available in P-Lok. Consult Amphenol Industrial, Fraser, MI for availability of P-Lok.



4 Contacts	32-17	36-5	36-51	40-57
No./Size of Contacts Service Rating	4 #4 D	4 #0 A	2 #0, 2 #4 D	4 #0 E

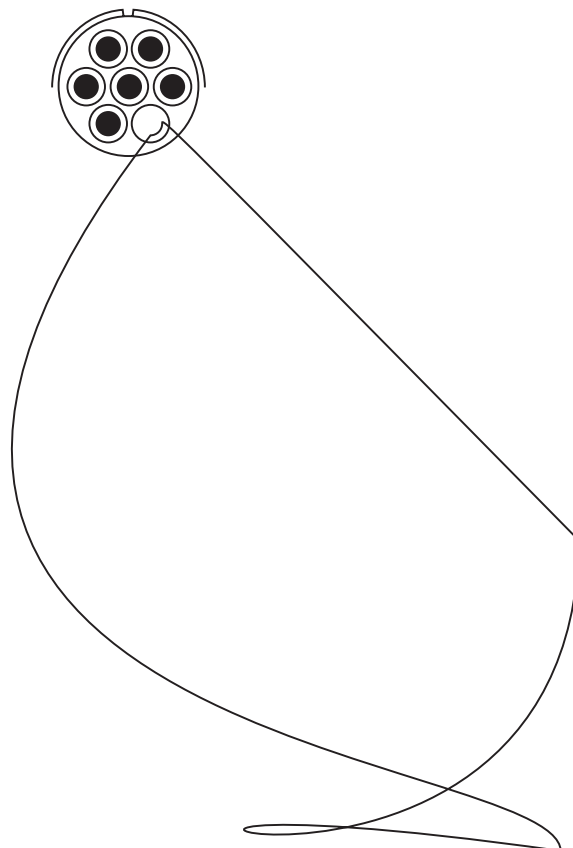
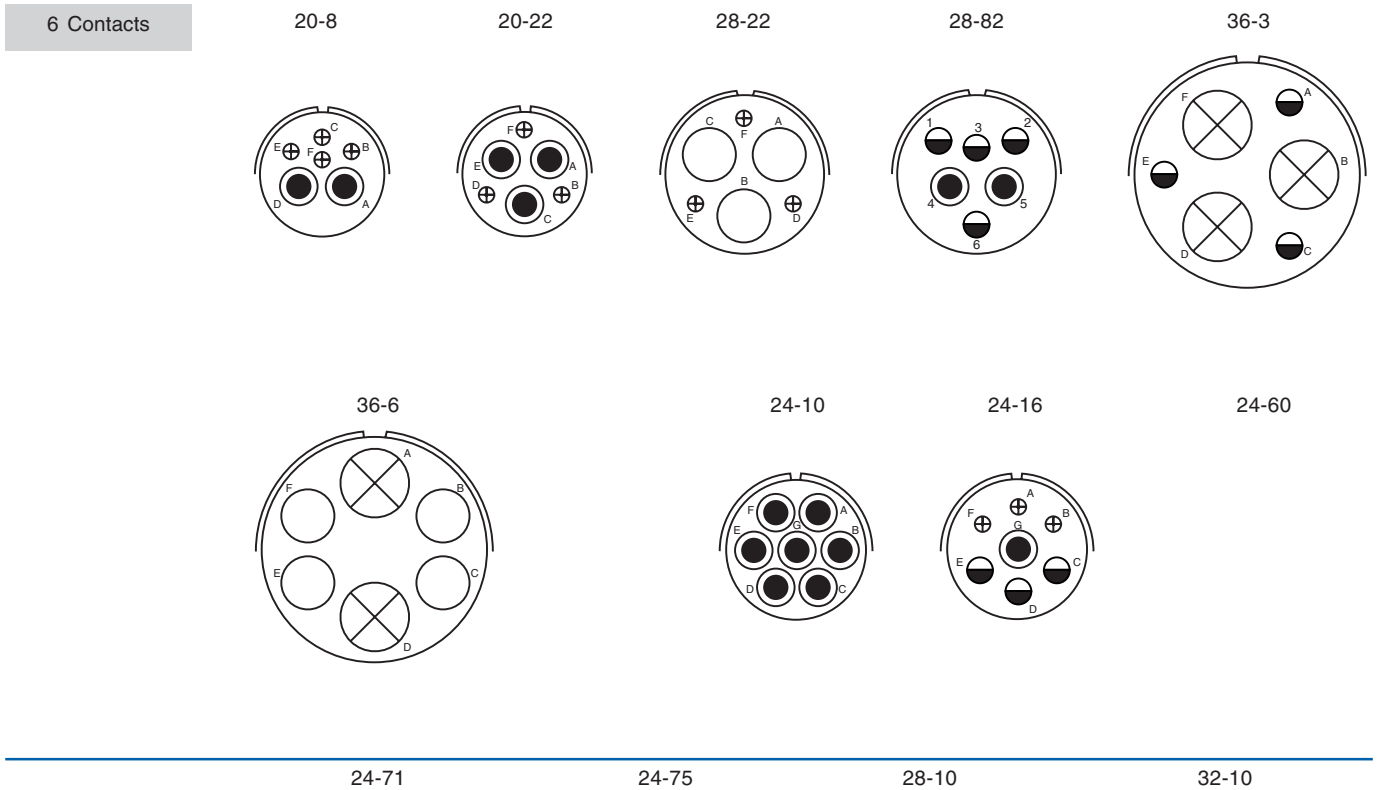
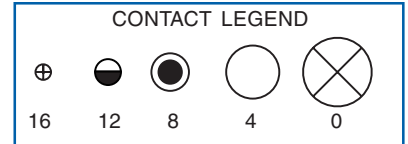
5 Contacts	20-14	22-12	24-12	24-51
No./Size of Contacts Service Rating	2 #8, 3 #12 A	2 #8, 1 #16 D	2 #4, 3 #12 A	5 #8 B, E for AN #10 or 12 wire A, C, D for AN #8 wire A

	24-53	24-79	28-5	32-1	32-2
No./Size of Contacts Service Rating	5 #8 A	5 #8 A	2 #4, 1 #12, 2 #16 D	2 #0, 3 #12 A = E; B, C, D, E = D	3 #4, 2 #16 E

	32-79	40-5	40-75
No./Size of Contacts Service Rating	4 #4, 1 #8 D	5 #0 A	1 #12, 4 #0 E

RADSOK Layouts

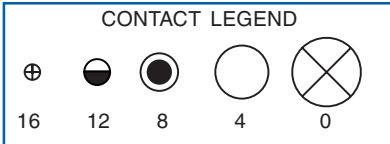
The following RADSOK layouts incorporate RADSOK sockets in sizes 8, 4, and 0, with standard contacts in sizes 16 and 12. All patterns are available in GT Series and Threaded 5015 Series. Only shell sizes 18-28 are available in P-Lok. Consult Amphenol Industrial, Fraser, MI for availability of P-Lok.



For availability of other insert arrangements, consult Amphenol, Sidney, NY.

RADSOK Layouts

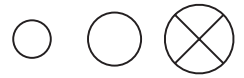
The following RADSOK layouts incorporate RADSOK sockets in sizes 8, 4, and 0, with standard contacts in sizes 16 and 12. All patterns are available in GT Series and Threaded 5015 Series. Only shell sizes 18-28 are available in P-Lok. Consult Amphenol Industrial, Fraser, MI for availability of P-Lok.



9 Contacts	22-27	24-11	28-1	28-84	28-AY	
No./Size of Contacts	1 #8, 8 #16	3 #8, 6 #12	3 #8, 6 #12	9 #8	4 #4, 5 #16	
Service Rating	J = D, Bal. = A	A	A, J, E = D; Bal. = A	A	A	
10 Contacts	32-3	24-21	11 Contacts	40-80	13 Contacts	24-58
No./Size of Contacts	1 #0, 2 #4, 2 #12, 4 #16	1 #8, 9 #16		1 #16, 10 #4		3 #8, 3 #12, 7 #16
Service Rating	D	D		A		A
14 Contacts	40-AR	32-9	36-78	40-AU		
No./Size of Contacts	3 #0, 3 #4, 7 #12	2 #4, 12 #16	12 #8, 2 #16	3 #4, 10 #8, 1 #16		
Service Rating	I	D	A	A		
16 Contacts	28-66	28-74	28-75	28-79		
No./Size of Contacts	2 #8, 14 #12	3 #8 for #10 wire (S, T, R) 4 #8, 9 #16	9 #16, 7 #8 for #10 wire	7 #8, 9 #16		
Service Rating	A	A	A	A		

RADSOK Layouts

The following RADSOK layouts incorporate RADSOK sockets in sizes 8, 4, and 0, with standard contacts in sizes 16 and 12. All patterns are available in GT Series and Threaded 5015 Series. Only shell sizes 18-28 are available in P-Lok. Consult Amphenol Industrial, Fraser, MI for availability of P-Lok.



21 Contacts

No./Size of Contacts
Service Rating

4 #4, 12 #16
A

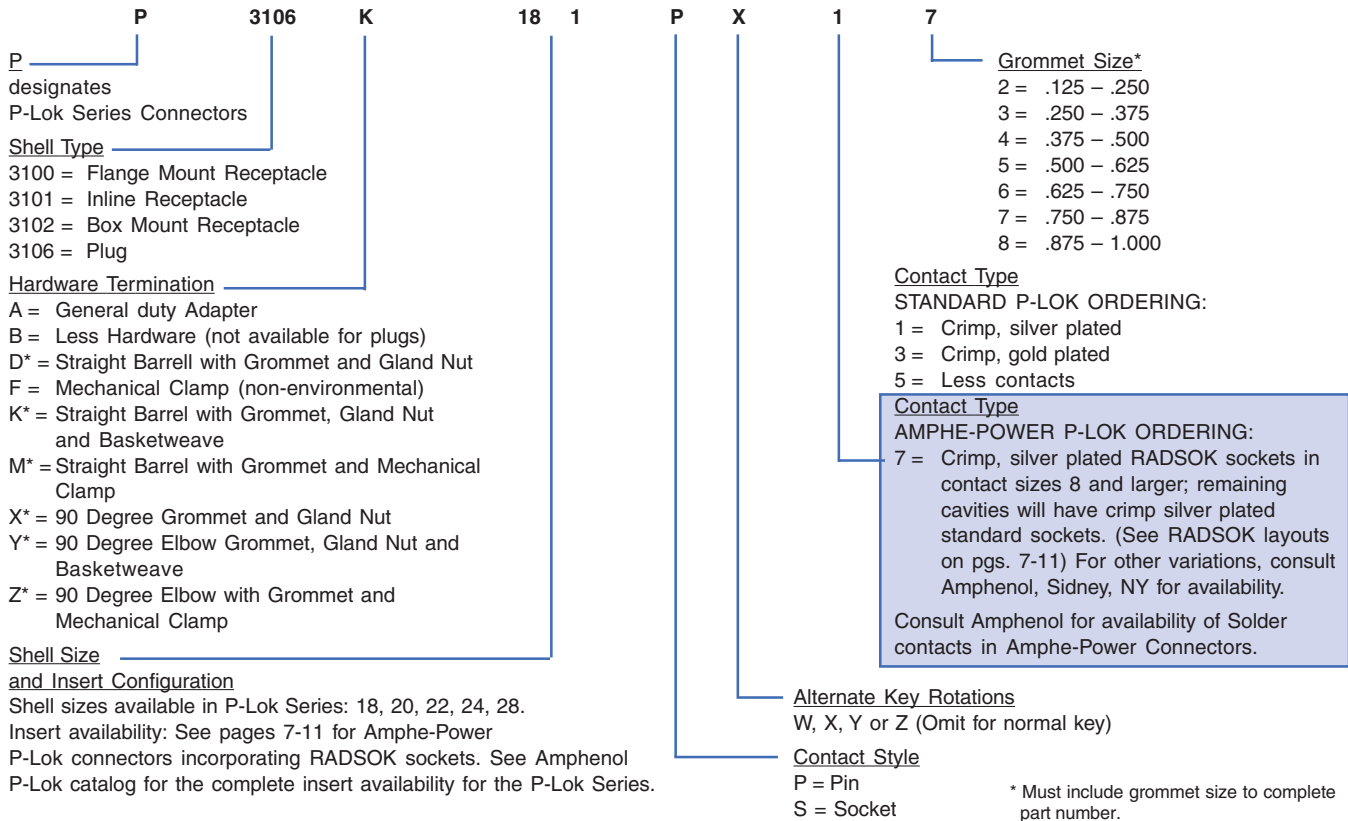
5 #8, 5 #12, 6 #16
D

21 #8
A

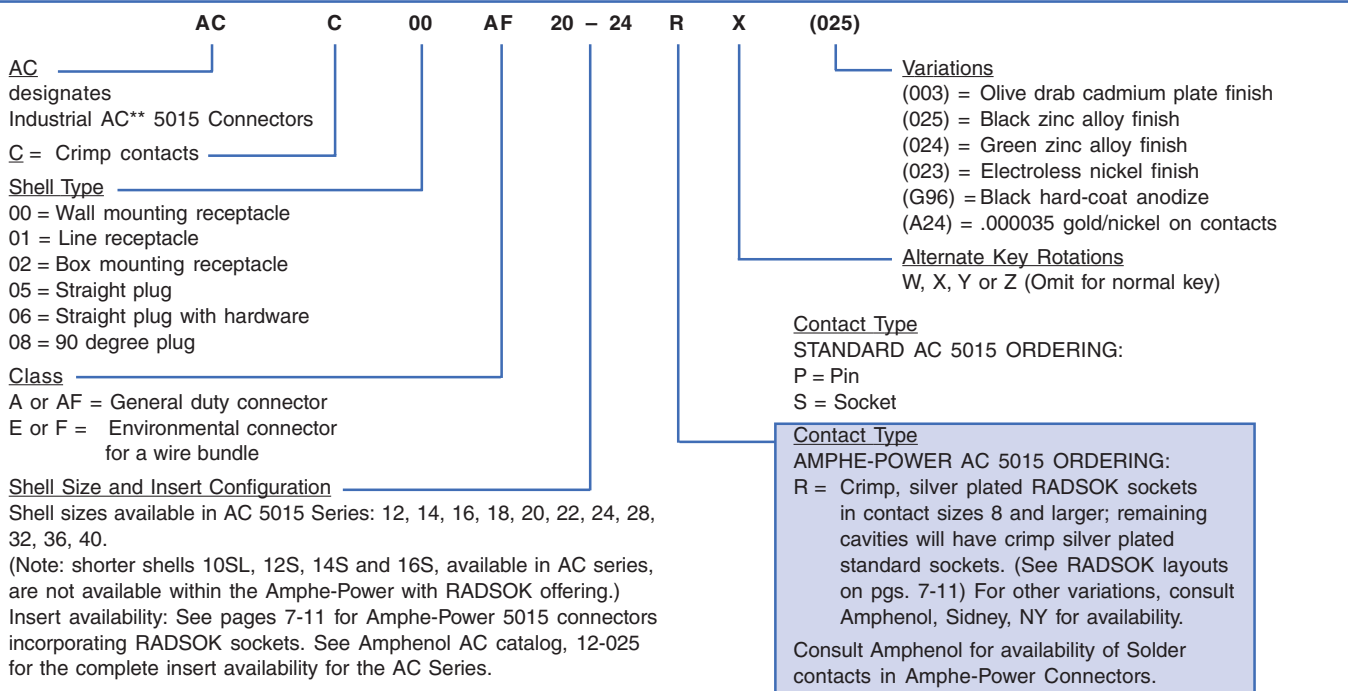
AMPHE-POWER® CONNECTORS

HOW TO ORDER

Amphe-Power P-Lok Part Numbering



Amphe-Power 5015 Part Numbering



** Amphe-Power 5015 Connectors are based on the AC Threaded Series from Amphenol which incorporates 5015 contact arrangements. Within the AC family a reverse bayonet style is also offered, but the bayonet style is not currently offered with RADSOK sockets. See Amphenol catalog 12-025 for more information on the AC connector family.

AMPHE-POWER® CONNECTORS

HOW TO ORDER

Amphe-Power GT Part Numbering							
GT	C	00	A	36-5	P	W	(RDS)
<p><u>GT</u> _____</p> <p>designates GT Series, Reverse Bayonet Connectors</p> <p><u>Contact Type and Insert Material</u> _____</p> <p>C = Crimp CN = Crimp with stainless steel CY = Crimp with Viton CL = Crimp with low smoke/flame retardant inserts No designation required for Neoprene components</p> <p><u>Shell Style</u> _____</p> <p>00 = Wall mount receptacle 01 = Inline receptacle 02 = Box mount receptacle 020 = Box mount receptacle with accessory threads 030 = Square flange receptacle - rear panel mount 06 = Straight plug 062 = Straight plug with deep serrated coupling nut* 064 = Panel mounted plug with heavy duty coupling nut 065 = Straight plug with long heavy duty coupling nut 07 = Jam nut receptacle - rear panel mount 070 = Jam nut receptacle with accessory threads 08 = 90 degree angle plug</p> <p><u>Connector Class</u> _____</p> <p>Consult Amphenol GT Reverse Bayonet Connector catalog, 12-024 for full descriptions of classes</p> <p><u>Shell Size and Arrangement</u> _____</p> <p>Shell sizes available in GT Series: 14, 16, 18, 20, 22, 24, 28, 32, 36, 40. (Note: shorter shells 10SL, 14S and 16S, available in GT series, are not available within the Amphe-Power with RADSOK offering.) Insert availability: See pages 7-11 for Amphe-Power GT connectors incorporating RADSOK sockets. See Amphenol GT catalog, 12-024, for the complete insert availability for the GT Series.</p>							<p><u>Connector Modification</u></p> <p>STANDARD GT ORDERING: No suffix needed for standard olive drab with silver plated contacts. (014) Olive drab cadmium plate, nickel base (A24) Gold/nickel plated contacts (025) Black zinc cobalt (027) Conductive black zinc cobalt (024) Green zinc cobalt</p> <p><u>Connector Modification</u></p> <p>AMPHE-POWER GT ORDERING: (RDS) Crimp, silver plated RADSOK sockets in contact sizes 8 and larger; remaining cavities will have crimp silver plated standard sockets. (See RADSOK layouts on pgs. 7-11) For other variations, consult Amphenol, Sidney, NY for availability. Consult Amphenol for availability of Solder contacts in Amphe-Power Connectors</p>
							<p><u>Alternate Key Rotations</u></p> <p>W, X, Y or Z (Omit for normal key)</p> <p><u>Contact Style</u></p> <p>P = Pin S = Socket</p>

ACCESSORIES FOR AMPHE-POWER CONNECTORS

Amphenol provides accessories such as connector protection caps, sealing plugs for sealing unused contact cavities, additional cable clamps, bushings, and insertion and removal tools for standard contacts. Refer to the previously referenced series catalogs for information on these accessory products:

- 12-024 catalog for GT Series accessories
- 12-025 catalog for AC 5015 accessories
- P-Lok catalog for P-Lok accessories