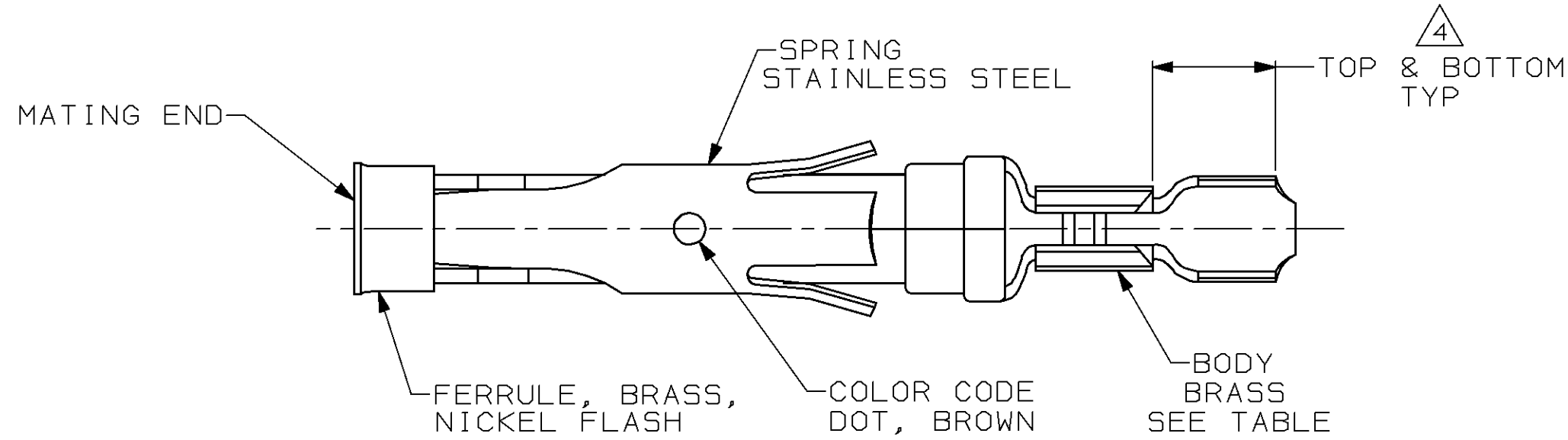
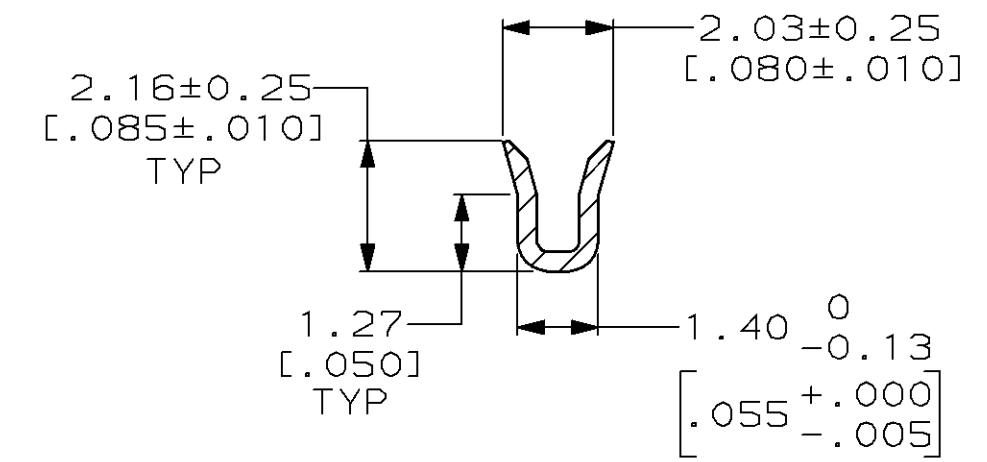
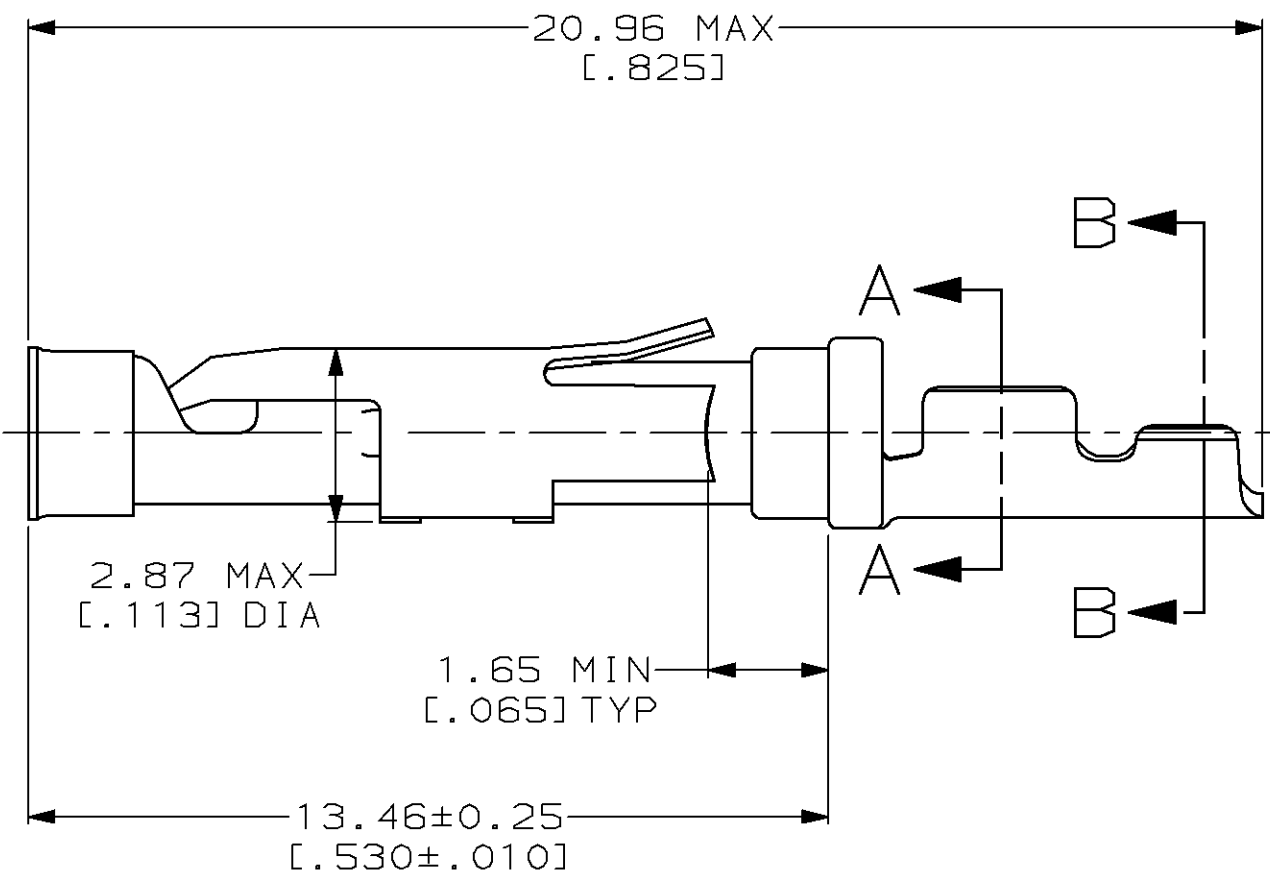


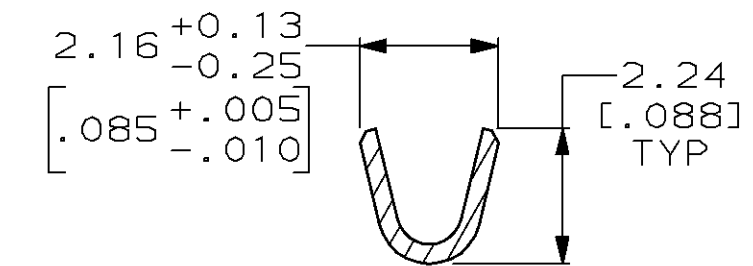
LOC	DIST	P	F	ZONE	LTR	REVISIONS	DATE	APPD
FT	47				G	REDRAWN & REV PER ECN BD3869	7-30-91	-
					H	ADDED -5 PER NPR 3597 & REV PER BD6295	06/04/92	GS
					J	OBS -1 PER EC 0020-1318-95	11 JUN 96	GS
					K	OBSOLETE -5 PER EC 0020-608-96	18 DEC 96	GS
					L	REV PER EC 0320-137-97	20 AUG 97	PB



1.689±0.051 DIA  
 [.0665±.0020]



SECTION A-A



SECTION B-B

- ① 0.76µm [.000030] MIN GOLD PER MIL-G-45204 ON MATING END FOR A LENGTH OF 5.08 [.200] MIN WITH GOLD FLASH ON THE REMAINDER OVER 0.76µm [.000030] MIN NICKEL PER QQ-N-290.
- ② 0.76µm [.000030] MIN GOLD PER MIL-G-45204 ON MATING END FOR A LENGTH OF 5.08 [.200] MIN WITH A UNIFORM GRADIENT TO 0.25µm [.000010] MIN GOLD PER MIL-G-45204 ON THE REMAINDER OVER 0.76µm [.000030] MIN NICKEL PER QQ-N-290.
- ③ 0.38µm [.000015] MIN GOLD PER MIL-G-45204 ON MATING END FOR A LENGTH OF 5.08 [.200] MIN WITH GOLD FLASH ON THE REMAINDER OVER 0.76µm [.000030] MIN NICKEL PER QQ-N-290.
- ④ GOLD PLATING NEED NOT APPEAR IN THIS AREA.
- 5. WIRE RANGE 26-30 AWG. INSULATION RANGE 1.02 [.040]-1.52 [.060].
- ⑥ 0.38µm [.000015] MIN GOLD PER MIL-G-45204 ON MATING END FOR A LENGTH OF 5.08 [.200] MIN, 1.27µm [.000050] MIN TIN-LEAD PER MIL-T-10727 FOR A LENGTH OF 5.69 [.224] MIN ON OPPOSITE END, BOTH OVER 1.27µm [.000050] MIN NICKEL PER QQ-N-290 ON ENTIRE CONTACT.

OBSOLETE	⑥	1-66424-0	66428-5
	①	66424-8	66428-4
	③	66424-3	66428-3
OBSOLETE	②	66424-1	66428-1
		BODY FINISH	STRIP P/N REF
			PART NO

DO NOT SCALE PRINT. UNLESS SPECIFIED DIMENSIONS IN mm [INCHES] TOLERANCES ON: 2 PLC DEC ± 0.13 [.005] 3 PLC DEC ± - ANGLES ± -	DR 7-30-91 R.SHIREY	AMP Incorporated Harrisburg, PA 17105-3608	
SEE CALLOUTS	CHK 9-19-91 R.STONE		
FINISH SEE CALLOUTS	APPD 9-20-91 J.WESTMAN	NAME SOCKET ASSEMBLY, LOOSE PIECE, TYPE III+	
	APPD 9-23-91 W.PARKER	SIZE C	CAGE CODE 00779
	APPLICATION SPEC -	DRAWING NO 66428	
	WEIGHT -	SCALE 8:1	SHEET 1 OF 1