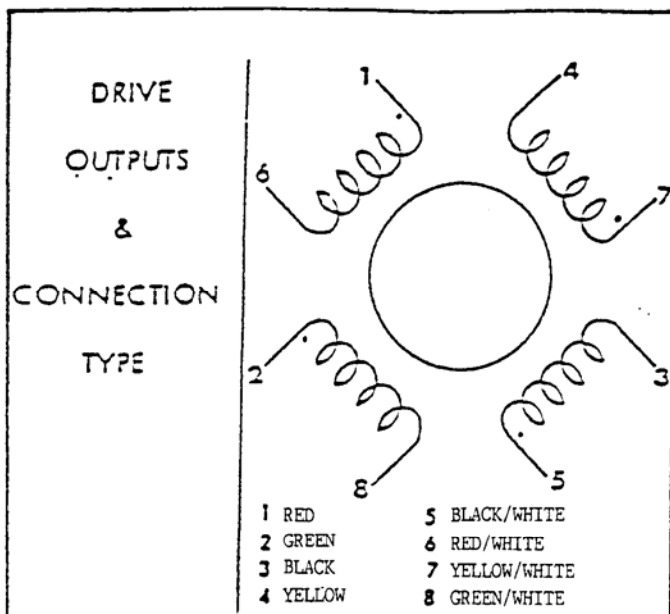


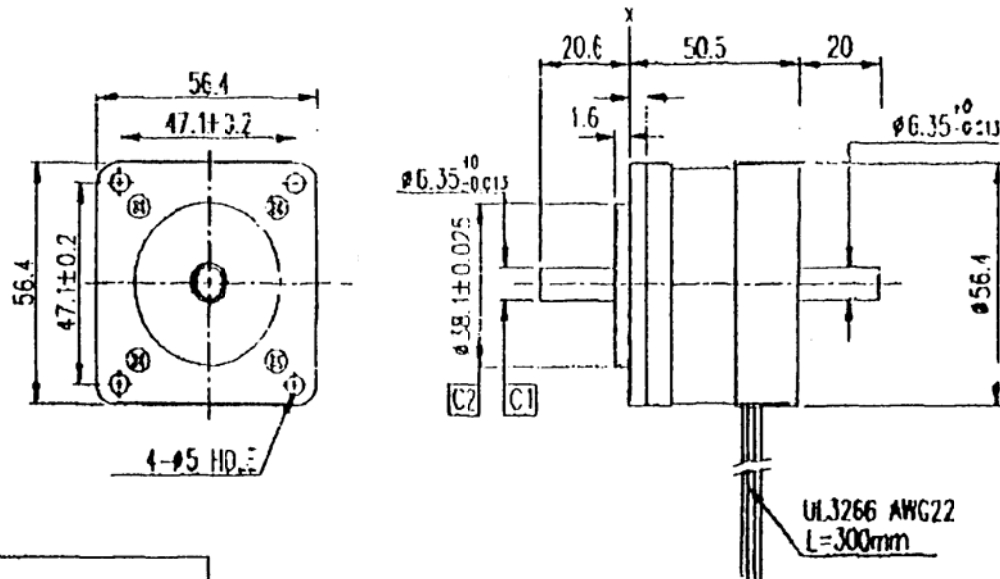


T180 CONNECTION DIAGRAM



UNIPOLAR	TERMINAL	COLOUR
$\phi 1$	1	RED
$\overline{\phi 1}$	3	BLACK
$\phi 1$ Common	5 & 6	BLACK/WHITE & RED/WHITE
$\phi 2$	2	GREEN
$\overline{\phi 2}$	4	YELLOW
$\phi 2$ Common	7 & 8	YELLOW/WHITE & GREEN/WHITE
BIPOLAR SERIES		
$\phi 1$	1	RED
$\overline{\phi 1}$	3	BLACK
$\phi 2$	2	GREEN
$\overline{\phi 2}$	4	YELLOW
Isolate - (LINK)	5 & 6	BLACK/WHITE & RED/WHITE
Isolate - (LINK)	7 & 8	YELLOW/WHITE & GREEN/WHITE
BIPOLAR PARALLEL		
$\phi 1$	1 & 5	RED & BLACK/WHITE
$\overline{\phi 1}$	3 & 6	BLACK & RED/WHITE
$\phi 2$	2 & 7	GREEN & YELLOW/WHITE
$\overline{\phi 2}$	4 & 8	YELLOW & GREEN/WHITE

DIMENSION (UNT : mm)



NOTES:

1. C1 DIAMETER RUNOUT TO BE 0.05 mm MAX.
2. END CAPS TO BE PAINTED BLACK.

FULL STEP 2 PHASE-Ex,
WHEN FACING MOUNTING END (X)

STEP	A	B	A'	B'	COM	ECW
1	ON	ON			+DCV	↕
2		ON	ON			
3			ON	ON		
4	ON			ON		

SPECIFICATION	
RATED VOLTAGE (V)/DC	12
AMPS/PHASE	0.6
RESISTANCE /PHASE Rm (ohms)@25°C	20 ± 10%
INDUCTANCE /PHASE.mH @1KHz	35 ± 20%
STEP ANGLE (DEG)	1.8
STEP ACCURACY (NON-ACCUM)	±5%
HOLDING TORQUE (Kg-cm) @0.6A/0.2s-Ex.	5.5
ROTOR AREA (q-cm ²)	110
WEIGHT (g)	500
TEMPERATURE RISE	MAX.80°C
INSULATION RESISTANCE	100M ohm @500VDC
DIELECTRIC STRENGTH	500VAC FOR ONE MINUTE
AMBIENT TEMPERATURE	-10°C ~ +50°C

REV	DESCRIPTION	DATE	APVD	SCALE FREE	APVD	CHKD	DATE	STEPING MOTOR
				X 105	KC		10/9/96	T180
				M 102			05-09-96	
				P 101				
				SCALE 1:30	SIGNATURE		DATE	