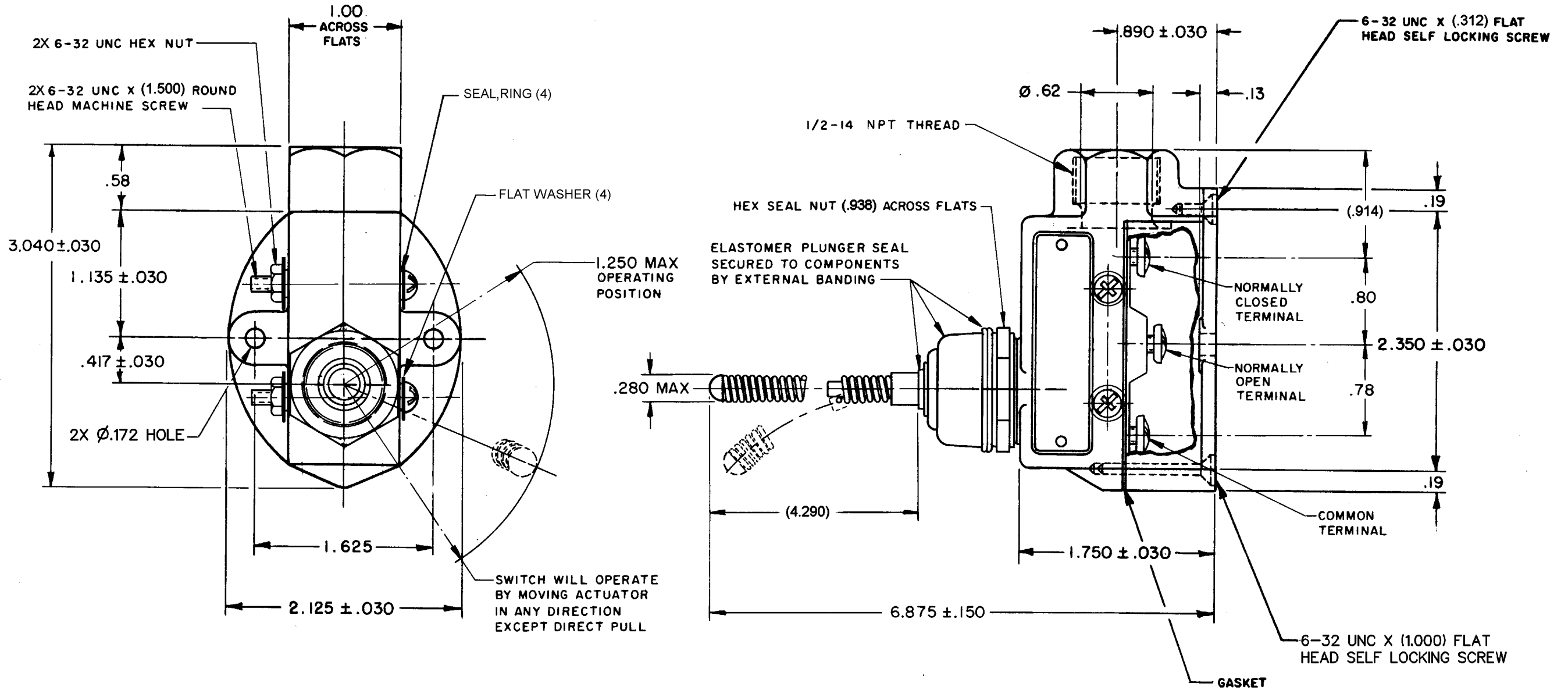


HONEYWELL
PART NUMBER

BZV6-2RN18

REV	DOCUMENT	CHANGED BY	CHECK
11	0081896	NMN 21SEP11	CMH



NOTES

- 1 - 3X 6 - 32 UNC X (.219) TERMINAL SCREW AND CUP WASHER
- 2 - SEALED FOR NEMA 1, 3, 4 AND IP 66 RATING

RELEASE NO: PR - 621

CHARACTERISTICS	ELECTRICAL DATA	DESIGN UNITS: INCH TOLERANCES UNLESS NOTED:	DRAWN	OMW	16APR69						
			CHECK	DAW	19APR69						
OPERATING FORCE----- 7 OZ MAX	CONTACT ARRANGEMENT S P D T	NO PLACES x ±	THIS DRAWING COVERS A PROPRIETARY ITEM AND IS THE PROPERTY OF HONEYWELL. THIS DRAWING IS NOT TO BE COPIED OR USED WITHOUT THE PERMISSION OF HONEYWELL.			TITLE SWITCH - ENCLOSED					
OPERATING POSITION ----- 15° MAX	15A-125, 250 OR 480 VAC; 2A-600 VAC	ONE PLACE .x ±									
SWITCH-BASIC REPLACEMENT----- BZ-2R-A2	.L74- 1/8 HP - 125 VAC; 1/4 HP - 250 VAC	TWO PLACE .xx ±				INTERPRET PER ANSI Y14.5M-1982 OTHER HONEYWELL ENGINEERING STANDARDS MAY APPLY	SIZE	TYPE	CAGE CODE	DRAWING NAME	REV
	1/2A - 125 VDC; 1/4A-250 VDC	THREE PLACE .xxx ±				RASTER	B	I	-	BZV6-2RN18	11
	CE 1.5A, 240VAC	ANGLES x ±		SCALE	NONE		SHEET	1 OF 1			
		THIRD ANGLE PROJECTION									