

Re-setting Thermal Cut-out  
Fitted For Protection

50 Hz  
Reactor Ballast

HSP40223221

EN 60922/923

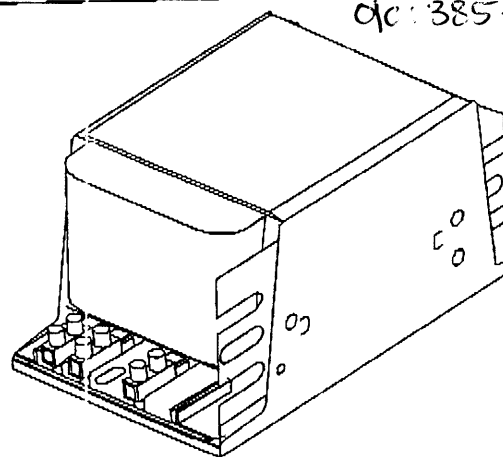
Input Volts	230	240
Line Current (Amps)		
Operating	2.22	2.13
Open Circuit	2.89	3.03
Starting	4.44	4.25
Regulation		
Line Volts	±6%	±6%
Lamp Watts	±10%	±10%
Temperature Ratings		
$t_w$ (°C)	130	130
$D_t$ (°C)	75	80
$t_a$ (°C)	-	-
Input Watts	445W	445W
NOM. Open Circuit Voltage	230	240
Power Factor	0.87	0.87
Current Crest Factor	< 1.6	< 1.6
Min. Ambient Starting Temp.	-30°C	-30°C
Recommended Fuse (Amps)	15	15
Dimensions		
Length (mm)	167	167
Width (mm)	86.6	86.6
Height (mm)	73	73
Weight (kg)	4.7	4.7
Fixing Centres	148	148
Capacitor Specifications		
Microfarads	40.0µF	40.0µF
Volts (min.)	250V	250V

Revision: 26/07/2001

sts

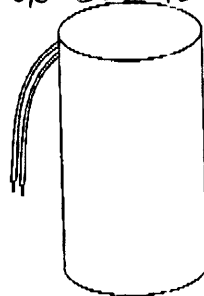
Data is based upon tests performed by Venture Lighting in a controlled environment and is representative of relative performance. Actual performance can vary depending on operating conditions. Specifications are subject to change without notice.

HSP

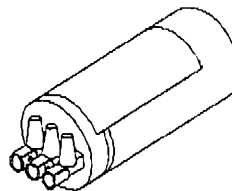


Capacitor: Ignitor:

OC: 385-1849.



KPC400255

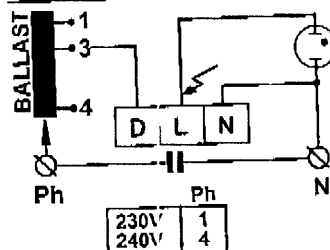


PAE400255

OC: 385-1758

Temp. Rating	-25/+85°C	Max Case Temp.	105°C
Height (mm)	100	Internal Temp.	30°C
Dia/Oval Dim (mm)	50	Max Capacitance	100µF

Circuit:



PAE400255