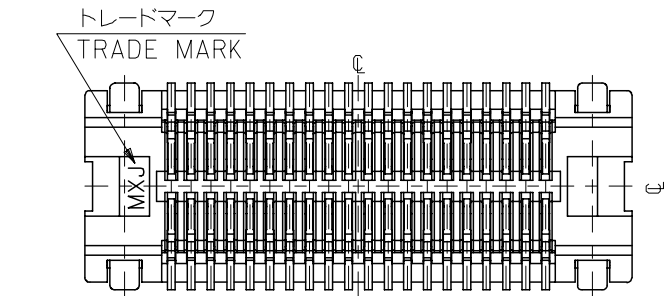
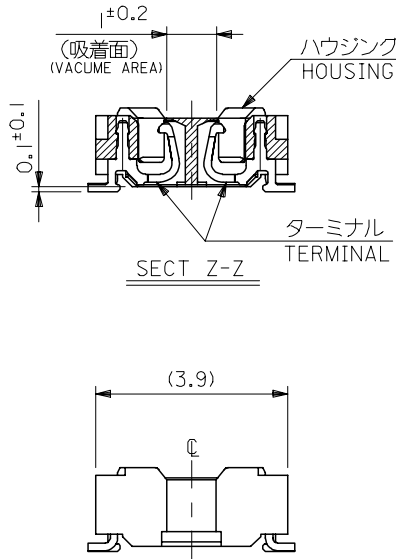
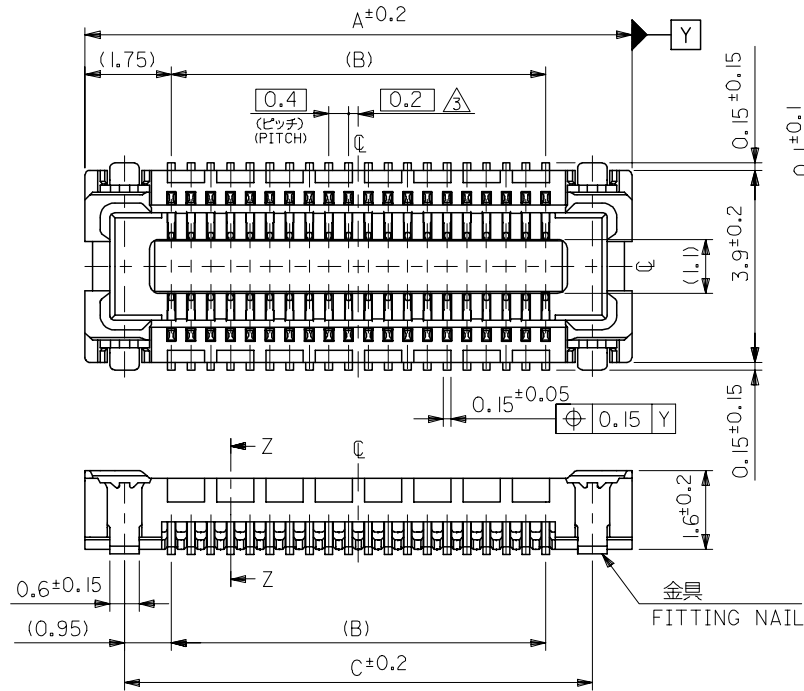


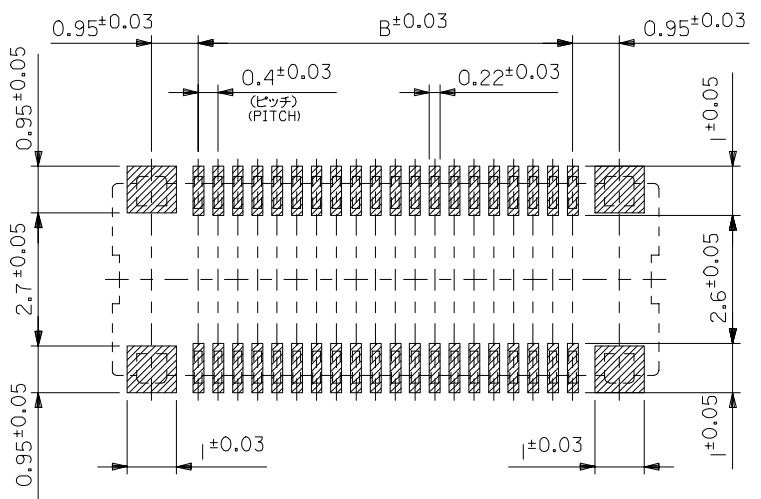
注記 NOTES:

1. 使用材料 MATERIAL  
 ハウジング: 液晶ポリマー (LCP) ガラス充填 UL94V-0 (黒)  
 HOUSING: LIQUID CRYSTAL POLYMER (GLASS FILLED)  
 UL94V-0 (COLOR: BLACK)  
 ターミナル: リン青銅 (t=0.15)  
 TERMINAL: PHOSPHOR BRONZE (t=0.15)  
 金具: リン青銅 (t=0.15)  
 FITTING NAIL: PHOSPHOR BRONZE (t=0.15)
2. メッキ仕様 PLATING  
 ターミナル TERMINAL  
 金メッキ 0.2マイクロメートル以上 (コンタクト部)  
 GOLD 0.2MICROMETER MINIMUM (CONTACT AREA)  
 金メッキ 0.4マイクロメートル以下 (テール部)  
 GOLD 0.4MICROMETER MAXIMUM (TAIL AREA)  
 下地メッキ: ニッケルメッキ 1.5マイクロメートル以上  
 UNDER PLATING: NICKEL 1.5MICROMETER MINIMUM  
 \*コンタクト部とテール部はニッケルメッキによって分断されている金メッキです。  
 DIVIDE INTO PARTS THE GOLD PLATING OF THE CONTACT AND THE TAIL PART BY THE NICKEL PLATING.
- 金具 FITTING NAIL  
 鍍メッキ 1.0マイクロメートル以上  
 TIN PLATING 1.0MICROMETER MINIMUM  
 下地メッキ: ニッケルメッキ 1.0マイクロメートル以上  
 UNDER PLATING: NICKEL 1.0MICROMETER MINIMUM
- △ (全極数/2) = 偶数の場合に適用。  
 APPLY FOR (CIRCUIT/2)=EVEN.
4. 嵌合相手: 55909シリーズ  
 MATE WITH: 55909 SERIES.
5. テール及び金具の平坦度は、0.1以下  
 TAIL AND FITTING NAIL COPLANARITY TO BE 0.1MAXIMUM

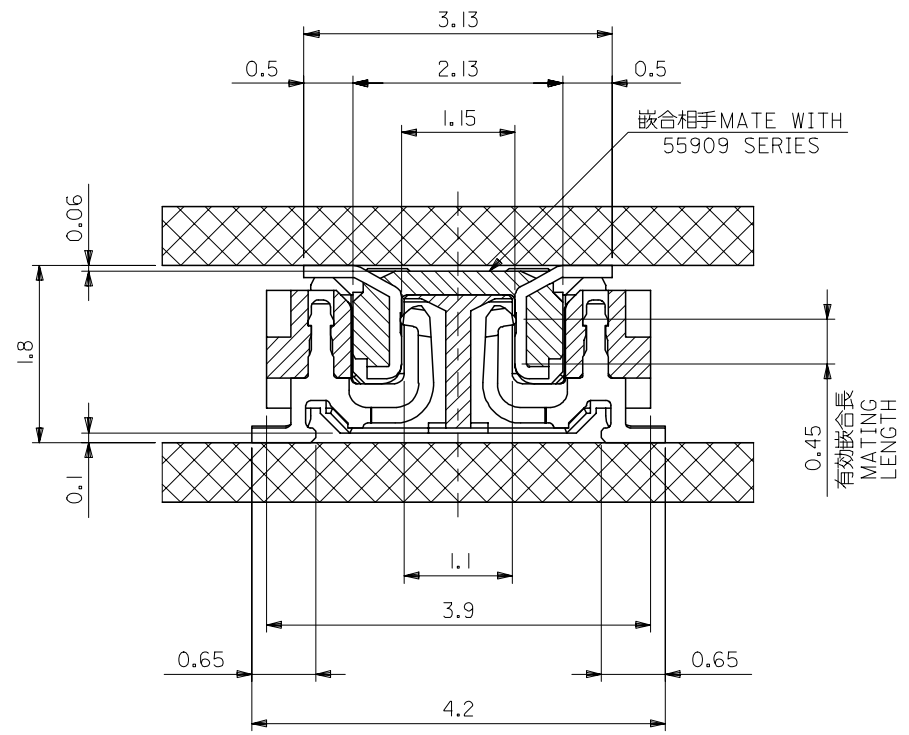


21.5	19.6	23.1	500913-1008	100
19.5	17.6	21.1	500913-0908	90
15.5	13.6	17.1	500913-0708	70
13.5	11.6	15.1	500913-0608	60
11.5	9.6	13.1	500913-0508	50
9.5	7.6	11.1	500913-0408	40
7.5	5.6	9.1	500913-0308	30
6.3	4.4	7.9	500913-0248	24
C	B	A	MATERIAL NO.	CIRCUIT

REVISED EC NO: J2007-14/19 DRWN: NABEI 2006/11/16 CHKD: KTOYODA 2006/11/20 APPR: NUKITA 2006/11/21	DESCRIPTION	GENERAL TOLERANCES (UNLESS SPECIFIED)		DIMENSION STYLE MM ONLY		500913-***8		MODEL NO.	
		10 UNDER	± ---	DRAWN BY R. SUMIYA	DATE 2004/04/19	SCALE 10:1	DESIGN UNITS METRIC	THIRD ANGLE PROJECTION	
		10 OVER 30 UNDER	± ---	CHECKED BY M. SASAO	DATE 2004/04/19	TITLE 0.4 B-TO-B CONN REC HSG ASSY (HGT=1.8MM) -LEAD FREE-			
		30 OVER	± ---	APPROVED BY M. SASAO	DATE 2004/04/19				
ANGULAR ± --- °		DRAFT WHERE APPLICABLE MUST REMAIN WITHIN DIMENSIONS		MATERIAL NO. SEE CHART		DOCUMENT NO. SD-500913-001		SHEET NO. 1 OF 2	
THIS DRAWING CONTAINS INFORMATION THAT IS PROPRIETARY TO MOLEX INCORPORATED AND SHOULD NOT BE USED WITHOUT WRITTEN PERMISSION									

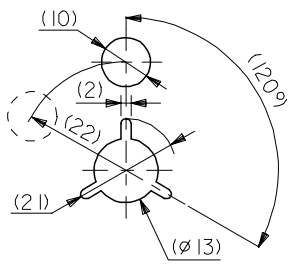
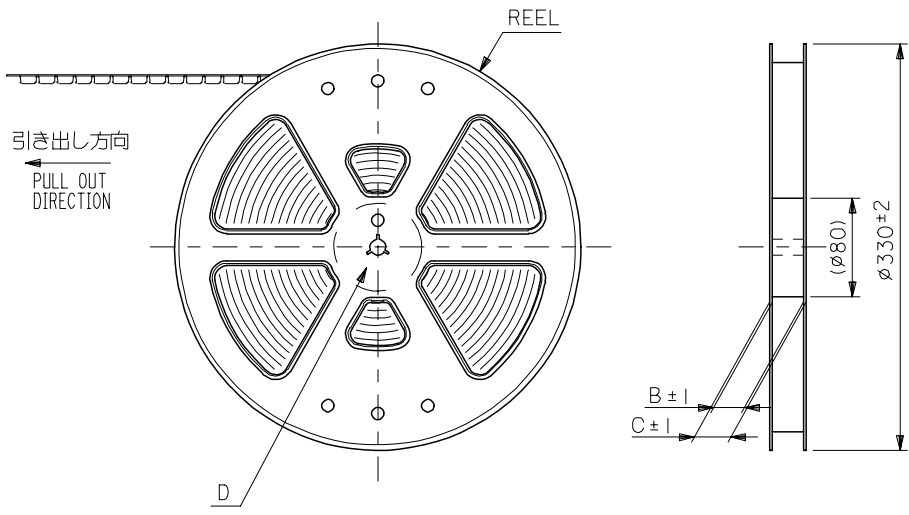


参考基板レイアウト (マウント面)  
P.C.BOARD PATTERN DIMENSION. (REFERENCE)  
(MOUNTING AREA)



嵌合断面図 (参考)  
MATED DRAWING (REFERENCE)

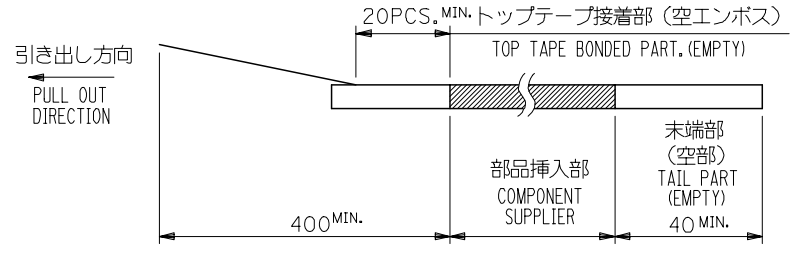
REVISED EC NO: J2007-14/19 DRWN: NABEI 2006/11/16 CHKD: KTOYODA 2006/11/20 APPR: NUKITA 2006/11/21	GENERAL TOLERANCES (UNLESS SPECIFIED)		DIMENSION STYLE MM ONLY		500913-***8	MODEL NO.
	10 UNDER	± ---	DRAWN BY R. SUMIYA	DATE 2004/04/19	SCALE ---	DESIGN UNITS METRIC
	10 OVER 30 UNDER	± ---	CHECKED BY M. SASAO	DATE 2004/04/19	THIRD ANGLE PROJECTION	
	30 OVER	± ---	APPROVED BY M. SASAO	DATE 2004/04/19	0.4 B-TO-B CONN REC HSG ASSY (HGT=1.8MM) -LEAD FREE-	
	ANGULAR	± --- °	MATERIAL NO.	SEE CHART	MOLEX INCORPORATED	
DRAFT WHERE APPLICABLE MUST REMAIN WITHIN DIMENSIONS		SIZE A3	THIS DRAWING CONTAINS INFORMATION THAT IS PROPRIETARY TO MOLEX INCORPORATED AND SHOULD NOT BE USED WITHOUT WRITTEN PERMISSION		DOCUMENT NO. SD-500913-001	SHEET NO. 2 OF 2



DETAIL D

NOTES

- 製品詳細寸法については製品単体図面SD-500913-001を参照下さい。  
RE DETAILED DIMENSION, SEE PRODUCT DRAWING NO. SD-500913-001.
- 梱包数量：1500個/リール  
NUMBER OF CONNECTORS : 1500PCS/REEL
- リードテープ長さ LEAD TAPE LENGTH



- 材料 MATERIAL  
キャリアテープ (CARRIER TAPE) : ポリプロピレン (POLYPROPYLENE)  
トップテープ (TOPTAPE) : PET , PE , PEF  
リール (REEL) : ポリスチレン (PS) <リサイクル材を含む>  
POLYSTYRENE (PS) <RECYCLE MATERIAL CONTAINED>

REVISED EC NO: J2007-14/19 DRWN: NABEI 2006/11/16 CHKD: TOYODA 2006/11/20 APPR: NUKITA 2006/11/21	DESCRIPTION	GENERAL TOLERANCES (UNLESS SPECIFIED)		DIMENSION STYLE MM ONLY		500913-***2		MODEL NO.		
		10 UNDER	± ---	DRAWN BY R. SUMIYA	DATE 2004/04/19	SCALE ---	DESIGN UNITS METRIC	THIRD ANGLE PROJECTION		
		10 OVER 30 UNDER	± ---	CHECKED BY M. SASAO	DATE 2004/04/19	TITLE 0.4 B-TO-B REC HSG ASSY (HGT=1.8) EMBSTP PKG -LEAD FREE-				
		30 OVER	± ---	APPROVED BY M. SASAO	DATE 2004/04/19	MOLEX INCORPORATED				
		ANGULAR	± --- °	MATERIAL NO. SEE CHART		DOCUMENT NO. SD-500913-002			SHEET NO. 1 OF 4	
		DRAFT WHERE APPLICABLE MUST REMAIN WITHIN DIMENSIONS			SIZE A3		THIS DRAWING CONTAINS INFORMATION THAT IS PROPRIETARY TO MOLEX INCORPORATED AND SHOULD NOT BE USED WITHOUT WRITTEN PERMISSION			

10 9 8 7 6 5 4 3 2 1

F

E

D

C

B

A

F

E

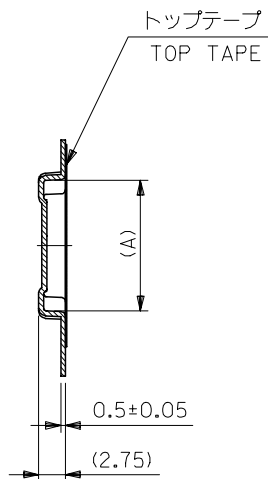
D

C

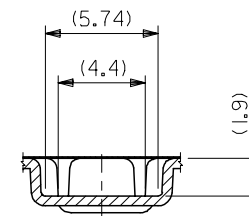
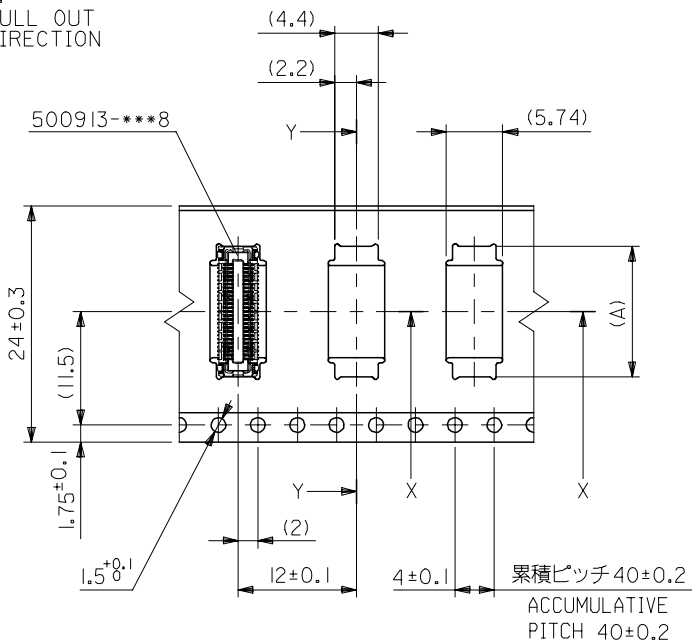
B

A

引き出し方向  
PULL OUT  
DIRECTION



SECT Y-Y



SECT X-X  
(SCALE 4:1)

24mm幅キャリアテープ  
24mm WIDTH CARRIER TAPE

24	29.4	25.4	15.26	500913-0602	60
			13.26	500913-0502	50
			11.26	500913-0402	40
			9.26	500913-0302	30
			8.06	500913-0242	24
キャリアテープ幅 CARRIER TAPE WIDTH	C	B	(A)	MATERIAL NO.	CIRCUIT

REVISED	EC NO: J2007-14/19	2006/11/16
DRWN: NABE	2006/11/20	
CHKD: TOYODA		
APPR: NUKITA	2006/11/21	

GENERAL TOLERANCES (UNLESS SPECIFIED)	
10 UNDER	± ---
10 OVER 30 UNDER	± ---
30 OVER	± ---
ANGULAR	± --- °
DRAFT WHERE APPLICABLE MUST REMAIN WITHIN DIMENSIONS	

DIMENSION STYLE MM ONLY	
DRAWN BY	DATE
R. SUMIYA	2004/04/19
CHECKED BY	DATE
M. SASAO	2004/04/19
APPROVED BY	DATE
M. SASAO	2004/04/19
MATERIAL NO.	
SEE CHART	
SIZE	
A3	

500913-***2		MODEL NO.
SCALE	DESIGN UNITS	THIRD ANGLE PROJECTION
2:1	METRIC	
TITLE		
0.4 B-TO-B REC HSG ASSY (HGT=1.8) EMBSTP PKG -LEAD FREE-		
MOLEX INCORPORATED		
DOCUMENT NO.		SHEET NO.
SD-500913-002		2 OF 4
THIS DRAWING CONTAINS INFORMATION THAT IS PROPRIETARY TO MOLEX INCORPORATED AND SHOULD NOT BE USED WITHOUT WRITTEN PERMISSION		

10 9 8 7 6 5 4 3 2 1

F

E

D

C

B

A

F

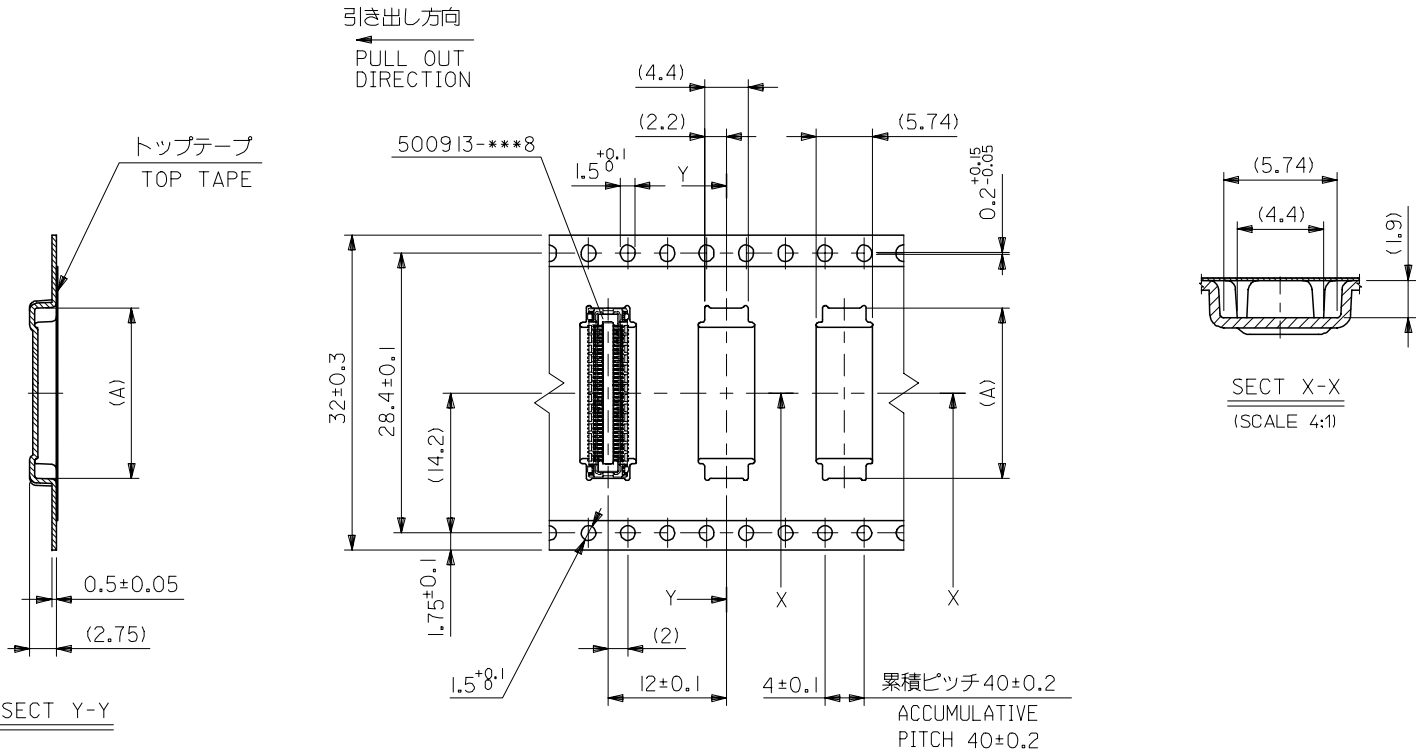
E

D

C

B

A



SECT Y-Y

SECT X-X  
(SCALE 4:1)

32mm幅キャリアテープ  
32mm WIDTH CARRIER TAPE

32	41.4	37.4	21.26	500913-0902	90
	37.4	33.4	17.26	500913-0702	70
キャリアテープ幅 CARRIER TAPE WIDTH	C	B	(A)	MATERIAL NO.	CIRCUIT

REVISED EC NO: J2007-14/19 DRWN: NABEI 2006/11/16 CHKD: KTOYODA 2006/11/20 APPR: NUKITA 2006/11/21	GENERAL TOLERANCES (UNLESS SPECIFIED)		DIMENSION STYLE MM ONLY		SCALE 2:1		DESIGN UNITS METRIC		THIRD ANGLE PROJECTION	
	10 UNDER	± ---	DRAWN BY R. SUMIYA	DATE 2004/04/19	TITLE 0.4 B-TO-B REC HSG ASSY (HGT=1.8) EMBSTP PKG -LEAD FREE- MOLEX INCORPORATED					
	10 OVER 30 UNDER	± ---	CHECKED BY M. SASAO	DATE 2004/04/19						
	30 OVER	± ---	APPROVED BY M. SASAO	DATE 2004/04/19						
	ANGULAR	± --- °	MATERIAL NO. SEE CHART		DOCUMENT NO. SD-500913-002		SHEET NO. 3 OF 4			
	DRAFT WHERE APPLICABLE MUST REMAIN WITHIN DIMENSIONS		SIZE A3		THIS DRAWING CONTAINS INFORMATION THAT IS PROPRIETARY TO MOLEX INCORPORATED AND SHOULD NOT BE USED WITHOUT WRITTEN PERMISSION					

10 9 8 7 6 5 4 3 2 1

F

E

D

C

B

A

F

E

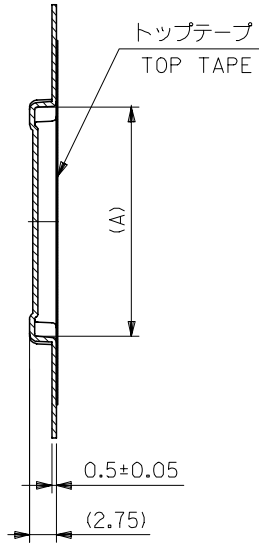
D

C

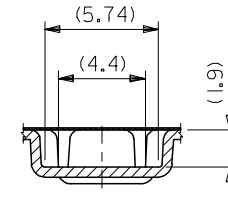
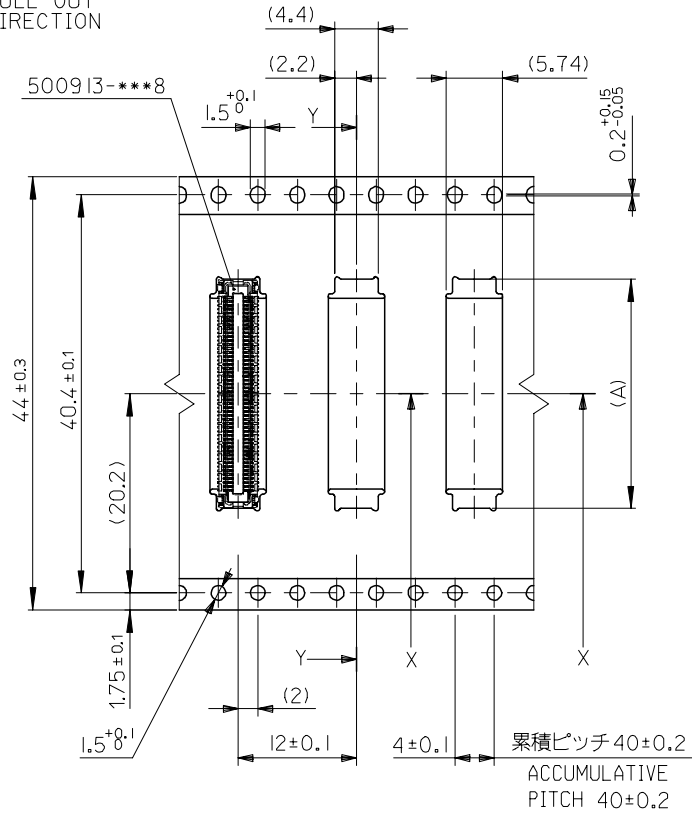
B

A

引き出し方向  
PULL OUT  
DIRECTION



SECT Y-Y



SECT X-X  
(SCALE 4:1)

44 mm幅キャリアテープ  
44 mm WIDTH CARRIER TAPE

44	49.4	45.4	23.26	500913-1002	100
キャリアテープ幅 CARRIER TAPE WIDTH	C	B	(A)	MATERIAL NO.	CIRCUIT

500913-***2		MODEL NO.	
SCALE 2:1	DESIGN UNITS METRIC	THIRD ANGLE PROJECTION	

REVISED EC NO: J2007-1419 DRWN: NABEI 2006/11/16 CHKD: TOYDOA 2006/11/20 APPR: NUKITA 2006/11/21	GENERAL TOLERANCES (UNLESS SPECIFIED)		DIMENSION STYLE MM ONLY	
	10 UNDER	± ---	DRAWN BY Y. SAKIYA	DATE 2004/07/30
	10 OVER 30 UNDER	± ---	CHECKED BY M. SASAO	DATE 2004/07/30
	30 OVER	± ---	APPROVED BY M. SASAO	DATE 2004/07/30
	ANGULAR	± --- °	MATERIAL NO.	TITLE
DRAFT WHERE APPLICABLE MUST REMAIN WITHIN DIMENSIONS		SEE CHART		0.4 B-TO-B REC HSG ASSY (HGT=1.8) EMBSTP PKG -LEAD FREE-

MOLEX INCORPORATED		DOCUMENT NO. SD-500913-002	SHEET NO. 4 OF 4
THIS DRAWING CONTAINS INFORMATION THAT IS PROPRIETARY TO MOLEX INCORPORATED AND SHOULD NOT BE USED WITHOUT WRITTEN PERMISSION			