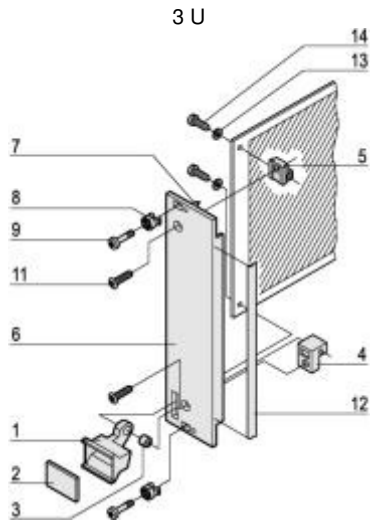


Plug-in units type 2 with extraction handle – front panel shielded



Article number: 20848-489

- For 6 U, the board location can be moved 1 HP to the right by swapping the upper and lower printed board brackets. This creates space for SMD components on the left-hand side (solder side).

Delivery quantity: kit

Item	Qty	Description
1	1	Extraction handle, PPE, grey, at bottom
1a	-	Extraction handle, PPE, grey, at top
2	1	Identification plate, 1.5 mm aluminium, anodised, cut edges clean
3	1	Pivot bush, brass
4	1	Printed board bracket, diecast zinc, at bottom
4a	-	Printed board bracket, diecast zinc, at top
5	1	Printed board bracket, diecast zinc
6	1	U-Front panel for handle, front anodised, rear chromated
7	2	Alignment pin, pressed in, stainless steel
8	2	Sleeve, PA, grey, up to 7 HP front panel width
8	4	Sleeve, PA, grey, up to 8 HP front panel width
9	2	Collar screw, cross recess/slot, nickel-plated steel, M2.5 × 12.3, up to 8 HP front panel width
9	4	Collar screw, cross recess/slot, nickel-plated steel, M2.5 × 12.3, from 8 HP front panel width
11	1	Raised countersunk head screw, M2.5 × 8
12	1	EMC textile seal
13	2	Washer, A2.7
14	2	Pozidrive flathead screw with cross recess, nickel-plated steel, M2.5 × 10

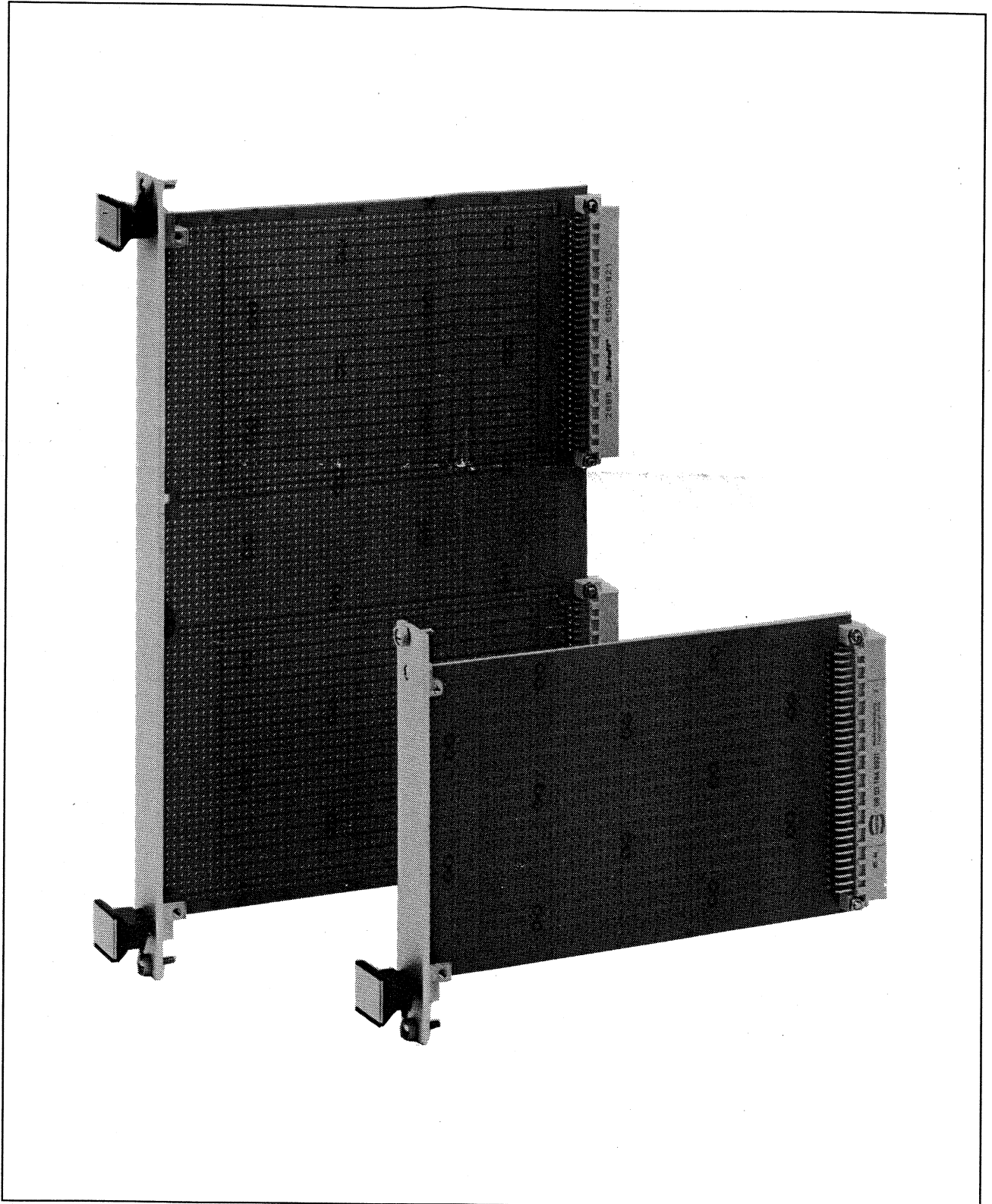
Technical data:

Width	Height
8 HP	3 U

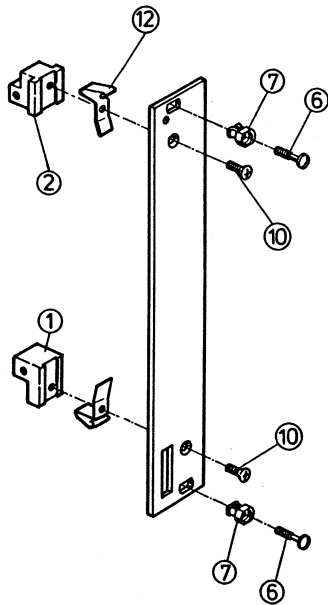
**Montageanweisung
Aushebegriff für
Steckbaugruppen
Trapezform**

**Assembly Instructions
Plug-in Units Type 2
with Extractor Handle C**

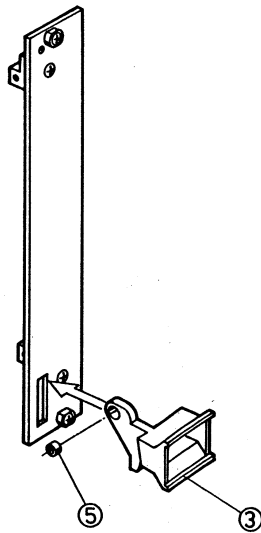
**Instructions de montage
poignée d'extraction
trapézoïdale pour bloc c**



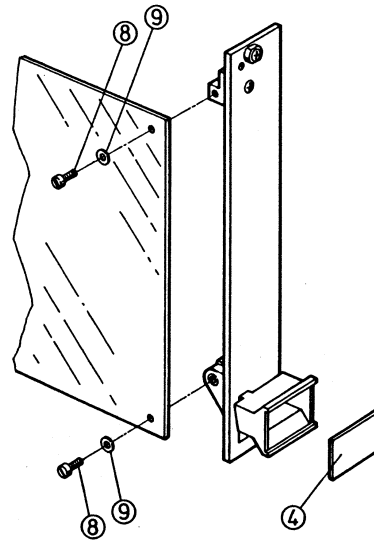
3 HE Standard



3 U standard

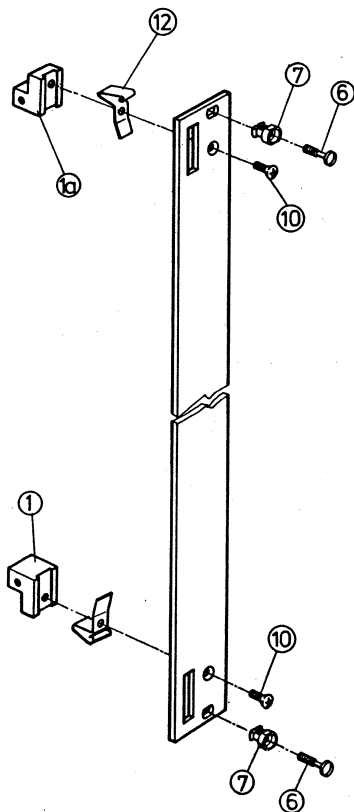


3 U standard

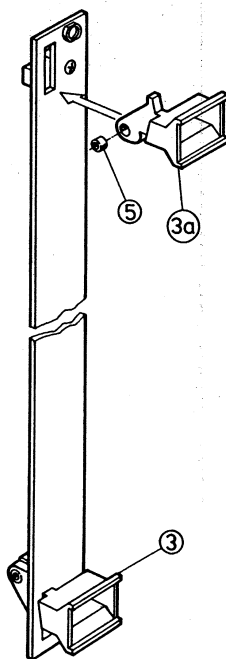


A3/354

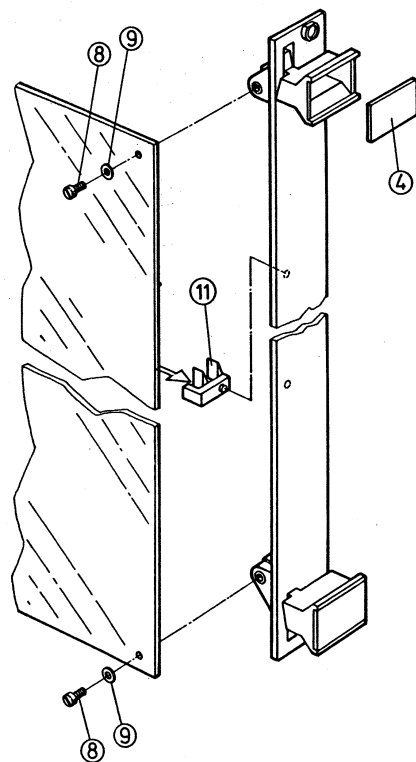
6 HE Standard



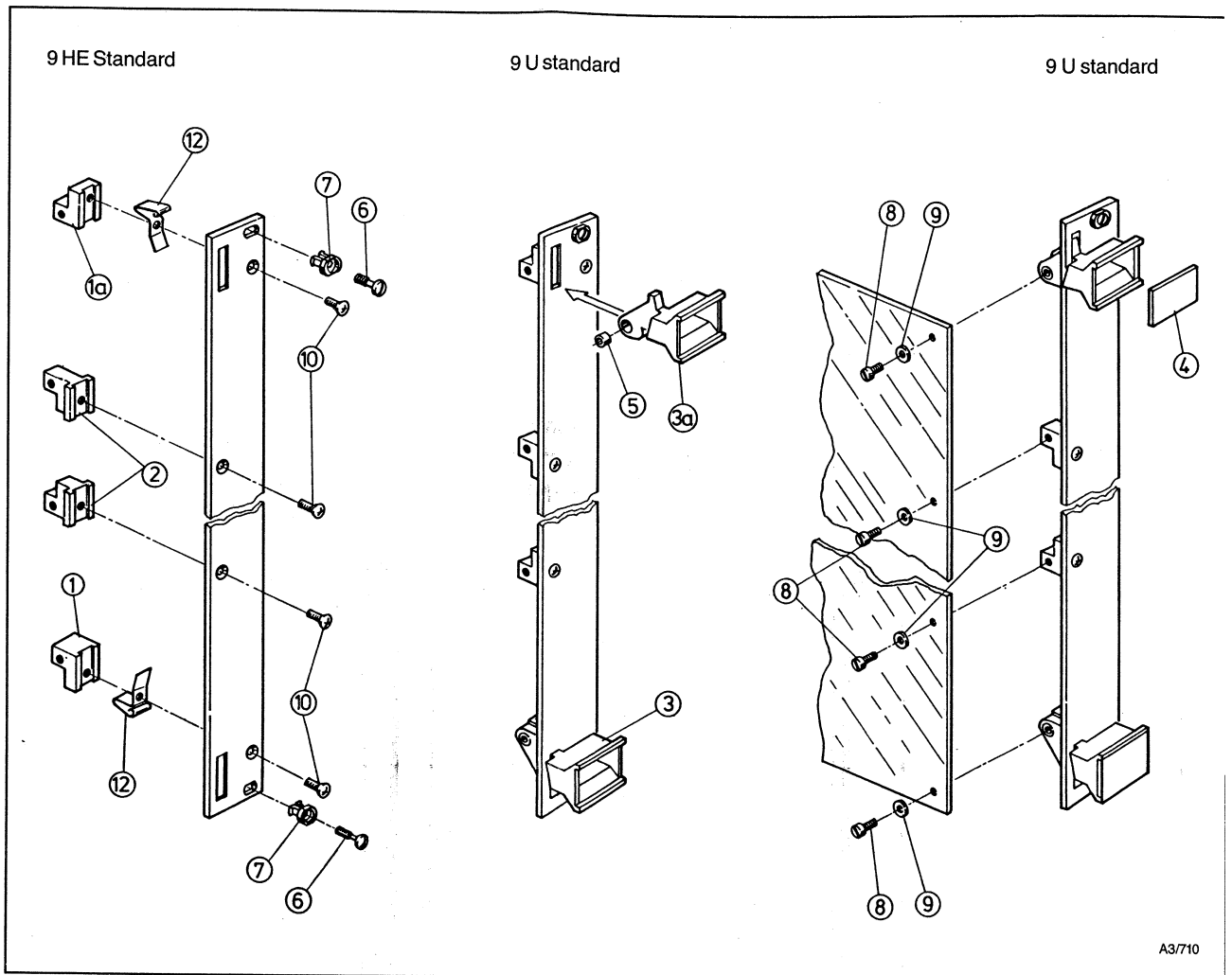
6 U standard



6 U standard



A3/355



A3/710

① Leiterplattenhalter, unten
(bei SMD oben)

①a Leiterplattenhalter, oben
(bei SMD unten)

② Leiterplattenhalter

③ Aushebegriff unten

③a Aushebegriff oben

④ Beschriftungsblende

⑤ Buchse

⑥ Halsschraube M 2,5 × 11

⑦ Nippel

⑧ Zylinderkopfschraube M 2,5 × 8

⑨ Scheibe

⑩ Linsensenkschraube M 2,5 × 8

⑪ Leiterplattenhalter mitte

⑫ Kontaktfeder

① Board holder, bottom
(top for SMD)

①a Board holder, top
(bottom for SMD)

② Board holder, top 3 U

③ Extractor handle, bottom

③a Extractor handle, top

④ Identification plate

⑤ Bush

⑥ Collar screw M 2,5 × 11

⑦ Sleeve

⑧ Cheese head screw M 2,5 × 8

⑨ Washer

⑩ Raised c/sk screw M 2,5 × 8

⑪ Board holder middle

⑫ Contact springs

① équerre de carte inférieure
(avec CMS en haut)

①a équerre de carte supérieure
(avec CMS en bas)

② équerre de carte

③ poignée extractrice inférieure

③a poignée extractrice supérieure

④ plaque d'identification

⑤ douille

⑥ vis à gorge M 2,5 × 11

⑦ oeillet

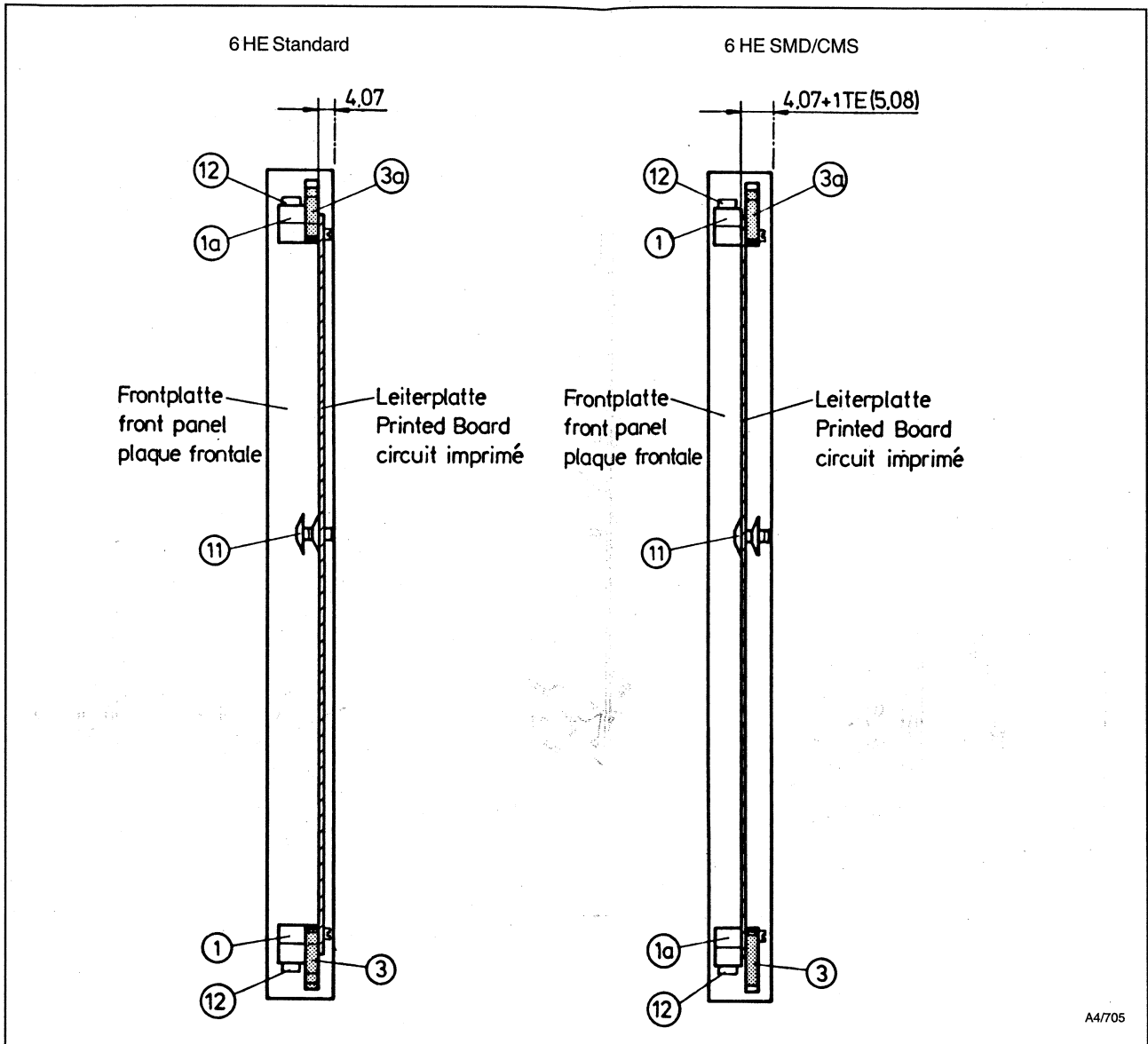
⑧ vis à tête cylindrique M 2,5 × 8

⑨ rondelle

⑩ vis à tête fraisée M 2,5 × 8

⑪ support central de circuit imprimé

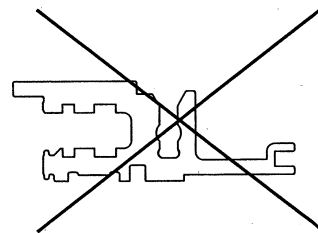
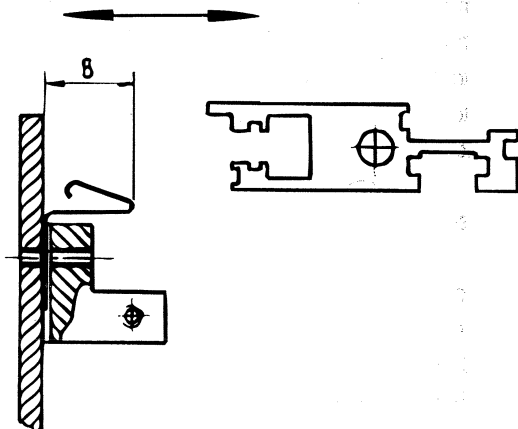
⑫ ressort de contact



9 HE SMD/CMS auf Kundenanfrage
möglich

9 U on request

9 U CMS possible sur demande
du client



europac PRO

Montageanweisung
EMC - Dichtung

Assembly instructions
EMC gasket

Instructions de montage
Joints EMC

1 a(1x) 1 b(1x) 1 c(1x) 2

Pos. 1*	Pos. 2
Item 1*	Item 2
Rep. 1*	Rep. 2
a	
b	1x
c	

* Pos.1 ist im Lieferumfang nicht enthalten * Item.1 is not supplied * Rep.1 non compris dans la livraison

