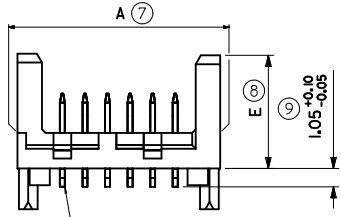
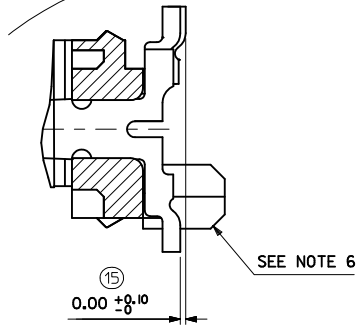


SECTION Y-Y



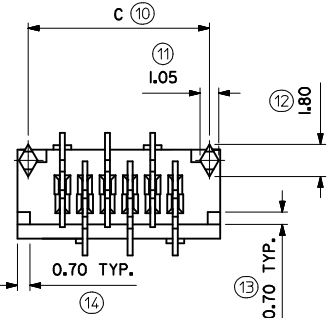
CIRCUIT No.1



SEE NOTE 6

SEE NOTE 4

(SCALE 10x1)



NOTES:

1) MATERIAL: HOUSING: NYLON (PA) GLASS FILLED. UL94 V-0, NATURAL (BEIGE)  
TERMINAL - CARTRIDGE BRASS 0.28 REF THICK

2) PLATING:

TIN: TIN (Sn) 3-5 MICROMETRE OVER 1.27 MICROMETRE MIN NICKEL(Ni).  
GOLD: 0.76 MICROMETRE SELECTIVE GOLD(Au) IN CONTACT AREA AND  
SELECTIVE TIN(Sn) IN SOLDER TAIL AREA 3-5 MICROMETRE  
OVER 1.27 MICROMETRE NICKEL(Ni) UNDERCOAT.

PALLADIUM NICKEL (PdNi): 0.6 MICROMETRE SELECTIVE PdNi WITH 0.05 MICROMETRE GOLD FLASH IN CONTACT AREA  
AND 3-5 MICROMETRE SELECTIVE TIN IN SOLDER TAIL AREA  
OVER 1.27 MICROMETRE NICKEL(Ni) UNDERCOAT.

- 3) MATES WITH MOLEX 90327 PART SERIES.
- 4) ALL SMT TAILS TO LIE WITHIN A COPLANARITY BAND OF  
0.0 - 0.10 REF. FROM EACH OTHER.
- 5) FOR TAPE AND REEL PACKAGING SEE SDA-90814-9001
- 6) PCB PEGS ARE OPTIONAL.
- 7) PCB LAYOUT SHOWN ON SHEET 2.
- 8) PRODUCT SPECIFICATION: PS-99020-0011

INSPECTION NUMBERS USED ON SHEET 1: 1-50  
LAST INSPECTION NUMBER: 15

90814 - \*\*  
CIRCUIT SIZE

	PCB PEGS	TUBE PACKED	TAPE & REEL PACKED	POLARIZING PEG HEIGHT DIMN. E
0	YES	YES	NO	6.40
2	YES	NO	YES	6.40
3	NO	YES	NO	6.40
5	NO	NO	YES	6.40
6	NO	YES	NO	4.10
7	NO	NO	YES	4.10
8	YES	YES	NO	4.10
9	YES	NO	YES	4.10

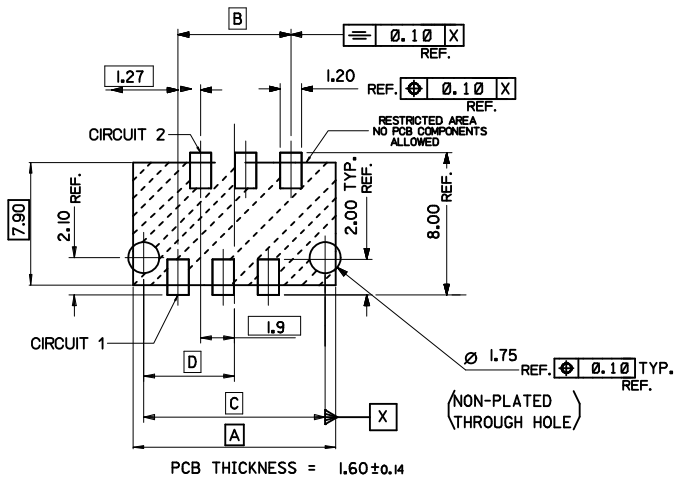
0= 3-5 MICROMETRE TIN VERSION

3= 0.76 MICROMETRE GOLD VERSION

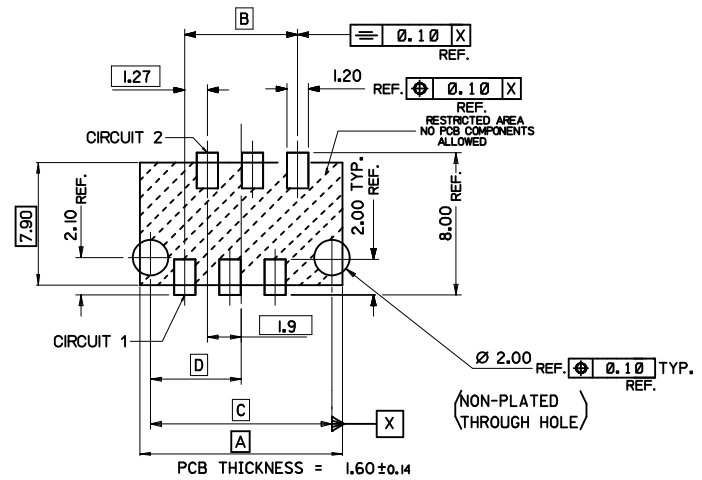
7= 0.6 MICROMETRE PALLADIUM NICKEL VERSION

PART NO.	NUMBER OF CKTS	DIMN. A	DIMN. B	DIMN. C	QUANTITY OF PARTS PER TUBE (-#0**/-#3**/-#6** & -#8** VERSIONS)	TOOLED
90814-**-26	26	36.80	31.75	35.60	14	YES
90814-**-24	24	34.26	29.21	33.06	15	YES
90814-**-22	22	31.72	26.67	30.52	16	YES
90814-**-20	20	29.18	24.13	27.98	18	YES
90814-**-18	18	26.64	21.59	25.44	20	YES
90814-**-16	16	24.10	19.05	22.90	22	YES
90814-**-14	14	21.56	16.51	20.36	25	YES
90814-**-12	12	19.02	13.97	17.82	28	YES
90814-**-10	10	16.48	11.43	15.28	32	YES
90814-**-08	8	13.94	8.89	12.74	38	YES
90814-**-06	6	11.40	6.35	10.20	46	YES
90814-**-04	4	8.86	3.81	7.66	60	YES

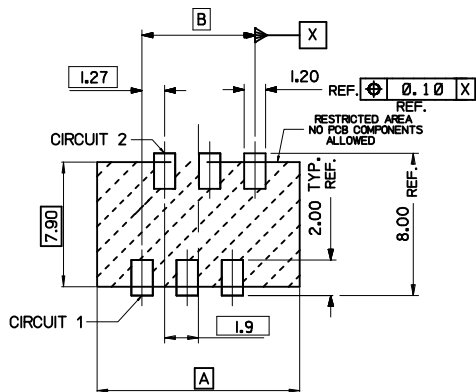
<b>ADDED PLATING OPTION</b> EC NO: E2011-0471 DRWNG: SHEA 2011/07/01 CHKD: OBYRNES 2011/07/11 APPR: EFOLAN 2011/08/08	QUALITY SYMBOLS ▼=0 ▽=0	GENERAL TOLERANCES (UNLESS SPECIFIED) mm      INCH		DIMENSION STYLE <b>MM ONLY</b>		SCALE 5:1	DESIGN UNITS METRIC	THIRD ANGLE PROJECTION
		4 PLACES ± --- ± --- 3 PLACES ± --- ± --- 2 PLACES ± 0.10 ± --- 1 PLACE ± --- ± --- ANGULAR ± 1/2°	DRAWN BY DMCNAMAR 2001/08/16 CHECKED BY PCURTIN 2001/08/16 APPROVED BY EFOLAN 2010/11/04	TITLE <b>PICOFLEX SMT HEADER</b>			<b>MOLEX INCORPORATED</b>	
DRAFT WHERE APPLICABLE MUST REMAIN WITHIN DIMENSIONS	MATERIAL NO. <b>SEE CHART</b>		DOCUMENT NO. <b>SDA-90814</b>		SHEET NO. 1 OF 2			
THIS DRAWING CONTAINS INFORMATION THAT IS PROPRIETARY TO MOLEX INCORPORATED AND SHOULD NOT BE USED WITHOUT WRITTEN PERMISSION								



PCB LAYOUT FOR TRANSITION FIT WITH PCB PEGS  
 HEADER VERSIONS 90814-0\*\*/-\*2\*\*/-\*8\*\*/-\*9\*\*,  
 VIEWED FROM COMPONENT SIDE



PCB LAYOUT FOR CLEARANCE FIT WITH PCB PEGS  
 HEADER VERSIONS 90814-0\*\*/-\*2\*\*/-\*8\*\*/-\*9\*\*,  
 VIEWED FROM COMPONENT SIDE



PCB LAYOUT FOR HEADERS WITHOUT PCB PEGS  
 HEADER VERSIONS 90814-3\*\*/-\*5\*\*/-\*6\*\*/-\*7\*\*,  
 VIEWED FROM COMPONENT SIDE

90814-0026	26	36.80	31.75	35.60	17.80
90814-0024	24	34.26	29.21	33.06	16.53
90814-0022	22	31.72	26.67	30.52	15.26
90814-0020	20	29.18	24.13	27.98	13.99
90814-0018	18	26.64	21.59	25.44	12.72
90814-0016	16	24.10	19.05	22.90	11.45
90814-0014	14	21.56	16.51	20.36	10.18
90814-0012	12	19.02	13.97	17.82	8.91
90814-0010	10	16.48	11.43	15.28	7.64
90814-0008	8	13.94	8.89	12.74	6.37
90814-0006	6	11.40	6.35	10.20	5.10
90814-0004	4	8.86	3.81	7.66	3.83
PART NO.	NUMBER OF CKTS	DIMN. A	DIMN. B	DIMN. C	DIMN. D

REMOVED 34 CIRCUIT SIZE EC NO: E2011-0471 DRAWN:JSHEA 2011/07/01 CHKD:DBRYNES 2011/07/11 APPR:EFOLAN 2011/08/08	QUALITY SYMBOLS ▽=0 ▽=0	GENERAL TOLERANCES (UNLESS SPECIFIED) mm INCH 4 PLACES ± --- ± --- 3 PLACES ± --- ± --- 2 PLACES ± 0.10 ± --- 1 PLACE ± 0.2 ± --- ANGULAR ±1/2°	DIMENSION STYLE MM ONLY	SCALE 5:1	DESIGN UNITS METRIC	THIRD ANGLE PROJECTION
	DRAFT WHERE APPLICABLE MUST REMAIN WITHIN DIMENSIONS	DRAWN BY DMCNAMAR	DATE 2001/08/23	TITLE PICOFLEX SMT HEADER	MATERIAL NO. EFOLAN	
SEE CHART		MATERIAL NO. EFOLAN		DOCUMENT NO. SDA-90814		SHEET NO. 2 OF 2
THIS DRAWING CONTAINS INFORMATION THAT IS PROPRIETARY TO MOLEX INCORPORATED AND SHOULD NOT BE USED WITHOUT WRITTEN PERMISSION						