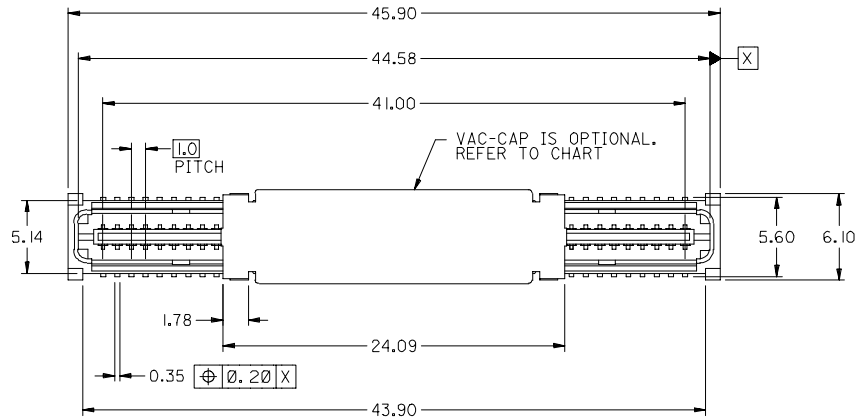


71741-0004	YES	YES	PK-70873-063	TAPE & REEL	0.76 GOLD
71741-0003	NO	YES	PK-70873-063	TAPE & REEL	0.76 GOLD
71741-0002	YES	YES	PK-70873-063	TAPE & REEL	0.25 GOLD
71741-0001	YES	NO	PK-70873-0607	TUBE	0.25 GOLD
ITEM NUMBER	PEGS	PICK & PLACE CAP	PACKAGING SPEC. NUMBER	PACKAGING TYPE	TERMINAL PLATING



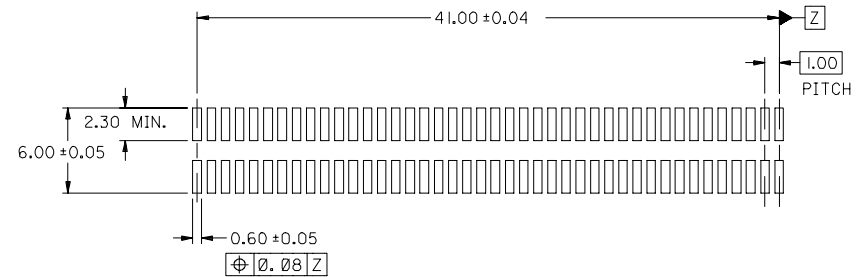
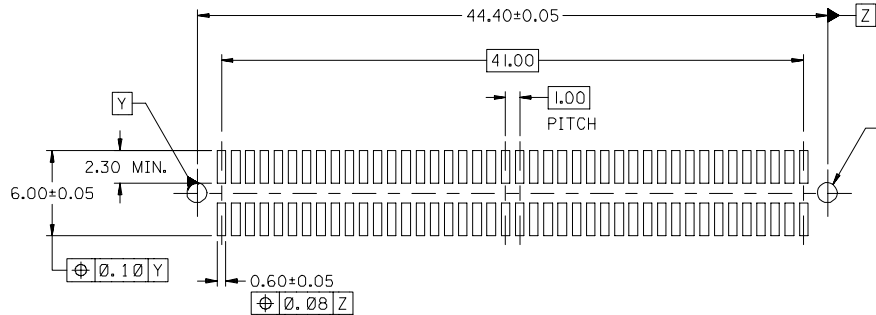
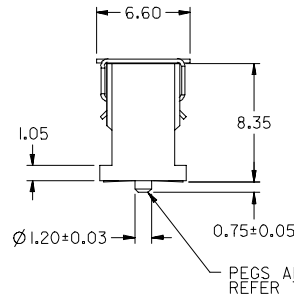
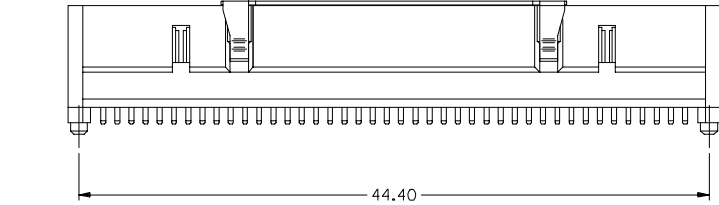
**PLATING**

0.76 GOLD - 0.76 MICRON MIN. GOLD PLATING IN CONTACT AREA, 1.90 MICRON MIN. TIN PLATING IN TERMINAL AREA, OVER 1.27 MICRON MIN. NICKEL PLATING OVERALL

0.25 GOLD - 0.25 MICRON MIN. GOLD PLATING IN CONTACT AREA, 1.00 MICRON MIN. TIN PLATING IN TERMINAL AREA, OVER 2.00 MICRON MIN. NICKEL PLATING OVERALL

**NOTES:**

- HOUSING MATERIAL: G.F. THERMOPLASTIC; UL RATING: 94V-0; COLOR: WHITE  
TERMINAL MATERIAL: PHOSPHOR BRONZE  
VACUUM CAP MATERIAL: STAINLESS STEEL
- COPLANARITY OF SMT TAILS: 0.10 MAX.
- PACKAGING SPECIFICATIONS: REFER TO CHART
- DIMENSIONS ARE IN MILLIMETERS.
- THIS PART, WHEN MATED WITH MOLEX U.S. PART NO. 71742-0\*\*\* OR MOLEX JAPAN PART NO. 52841-0848, CONFORMS TO MOLEX PRODUCT SPECIFICATION PS-71741-9999.



**RECOMMENDED PCB LAYOUT**

RECOMMENDED PCB THICKNESS: 1.0±0.1mm MIN.

**RECOMMENDED PCB LAYOUT (WITHOUT PEGS)**

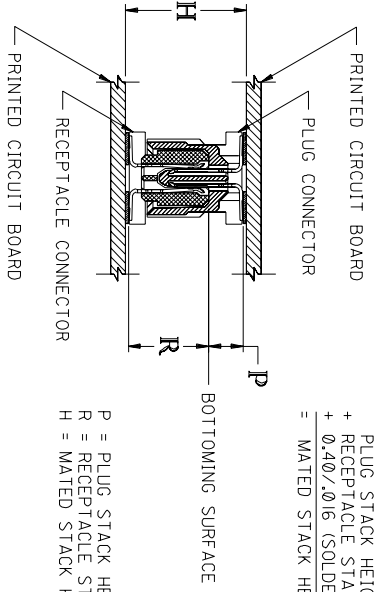
RECOMMENDED PCB THICKNESS: 1.0±0.1mm MIN.

NOTE FOR LEAD FREE CONVERSION:  
THE PRIMARY SHIPPING CARTON WILL BE LABELED "COMPLIANT TO ROHS DIRECTIVE 2002/95/EC AND ELV ANNEX II OF DIRECTIVE 2000/53/EC". CARTONS WITHOUT THIS LABEL MAY CONTAIN PRODUCT WITH LEAD.

MODIFY PACKAGING EC NO: UCP2006-2840 DRAWN BY: BARRA CHKD: BARKER APPR: MILLER	QUALITY SYMBOLS ▽=0 ▽=0	GENERAL TOLERANCES (UNLESS SPECIFIED)		DIMENSION STYLE		SCALE	DESIGN UNITS	THIRD ANGLE PROJECTION		
				MM ONLY		4:1	METRIC			
				ANGULAR ±1/2°		DRAWN BY DATE			TITLE	
				DRAFT WHERE APPLICABLE MUST REMAIN WITHIN DIMENSIONS		CHECKED BY DATE			SALES ASSY, 1.0MM 84CKT BOARD-TO-BOARD PLUG 4.30/169 STACK HEIGHT	
				APPROVED BY DATE		MATERIAL NO.		SHEET NO. 1 OF 2		
				BIXLER 96/07/15		DOCUMENT NO.				
				SEE TABLE		SDA-71741-0***				
				THIS DRAWING CONTAINS INFORMATION THAT IS PROPRIETARY TO MOLEX INCORPORATED AND SHOULD NOT BE USED WITHOUT WRITTEN PERMISSION						

RECOMMENDED PLUG/RECEPTACLE COMBINATION FOR  
MATED STACK HEIGHT PER EIA STANDARD 700 AAB

MATED STACK HEIGHT	RECEPTACLE HEIGHT	RECEPTACLE SERIES NO.	PLUG HEIGHT	PLUG SERIES NO.
10.00/.394	5.30/.209	71742-0***	4.30/.169	71741-0***
15.00/.591	10.30/.406	71742-3***	4.30/.169	71741-0***



PLUG STACK HEIGHT  
+ RECEPTACLE STACK HEIGHT  
+ 0.40/.016 (SOLDER PASTE ALLOWANCE)  
= MATED STACK HEIGHT

P = PLUG STACK HEIGHT  
R = RECEPTACLE STACK HEIGHT  
H = MATED STACK HEIGHT

**METRIC**

REVISE ONLY ON CAD SYSTEM

UNLESS OTHERWISE SPECIFIED  
TOLERANCES ARE IN 1/128"

PLUG	RECEPTACLE	PLUG	RECEPTACLE
1 PLACE	1 PLACE	1 PLACE	1 PLACE
2 PLACE	2 PLACE	2 PLACE	2 PLACE
3 PLACE	3 PLACE	3 PLACE	3 PLACE

DRG. NO. 60532  
FILE NAME SDA-71741-0\*\*\*  
DATE 98/12/28  
SHEET NO. 2

MOLEX INCORPORATED  
430/.169 STACK HEIGHT

SALES ASSY, 1.0mm 84 CKT.  
BOARD-TO-BOARD PLUG  
4.30/.169 STACK HEIGHT

THIS DRAWING CONTAINS INFORMATION THAT IS PROPRIETARY TO MOLEX INC. AND SHOULD NOT BE USED WITHOUT WRITTEN PERMISSION.

REV. NO.	DATE	DESCRIPTION	BY	CHKD.
1		SEE SHEET 1	KAS	KAS
2				
3				
4				
5				
6				
7				
8				
9				
10				
11				
12				
13				