

NO.	PART NAME	QTY.	MATERIAL
1	HOUSING	1	NYLON(IPA), UL 94V-0, COLOR: BLACK
2	CONTACT A	22	COPPER ALLOY
3	CONTACT B	7	COPPER ALLOY
4	FITTING-NAIL	2	COPPER ALLOY
5	PICK & PLACE CAP	1	PA46, UL 94V-0, COLOR: BLACK

NOTES:

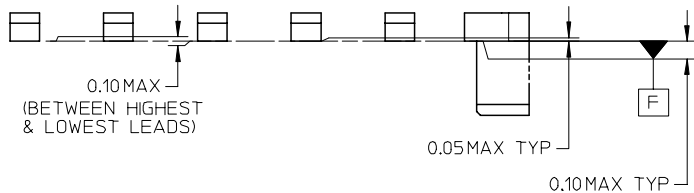
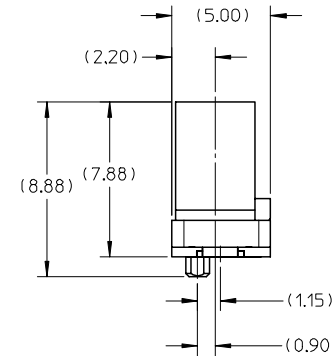
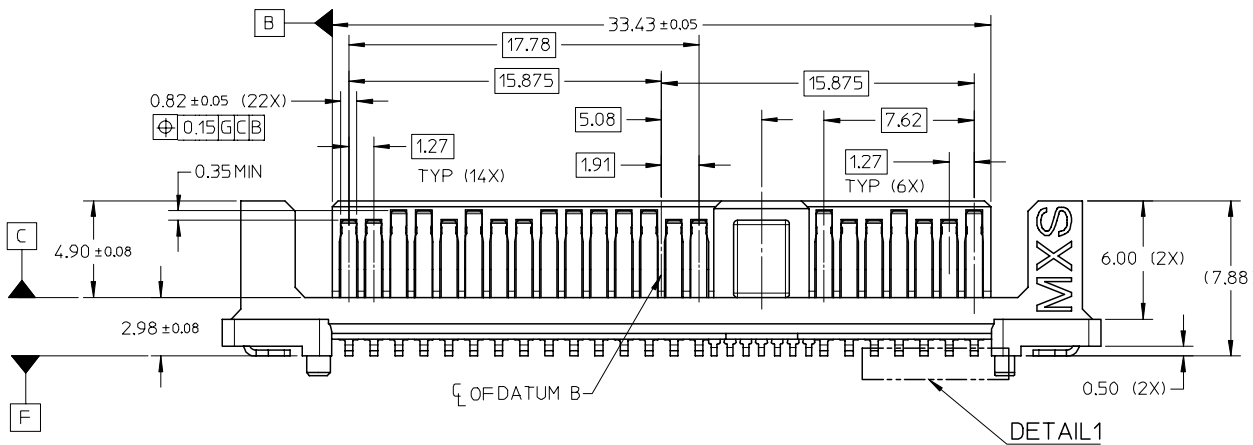
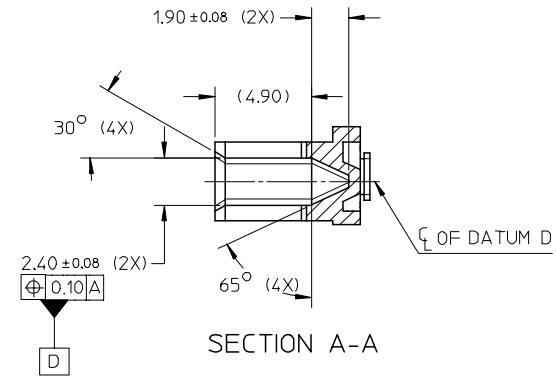
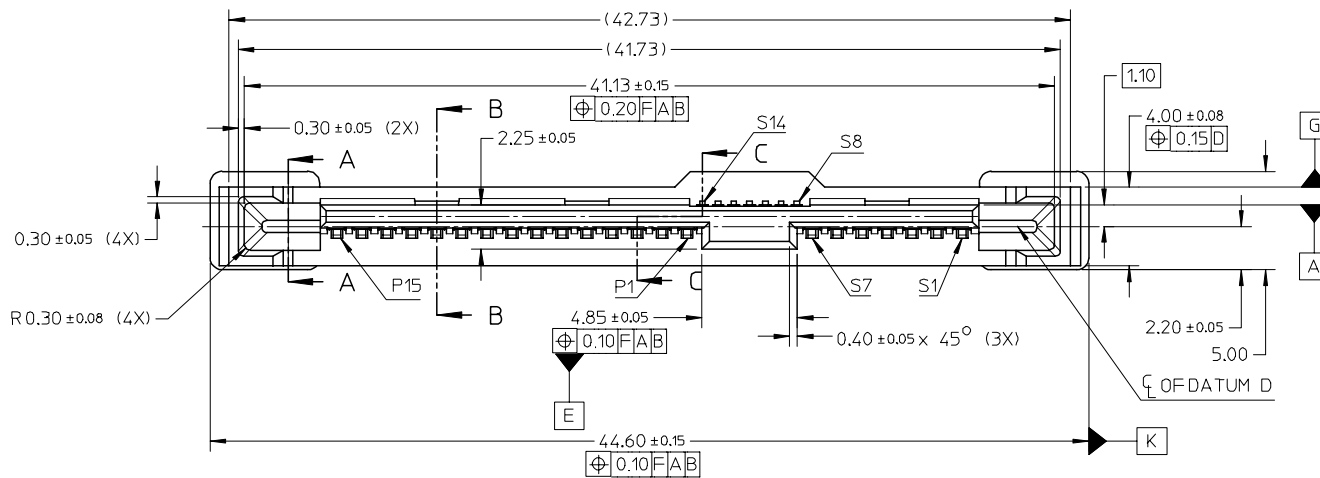
- MATERIAL: REFER TO THE ABOVE PART-LIST.
- PLATING SPECIFICATION: REFER TO TABLE-1.
- APPLICABLE INDUSTRY SPECIFICATION :
SFF-8482 UNSHIELDED DUAL PORT SERIAL ATTACHMENT CONNECTOR.
- PRODUCT SPECIFICATION: PS-78012-002.
- PACKING: REFER TO PACKING INFORMATION (SHEET 5/5).
- DATE CODE FORMAT: YEAR & DAY OF MANUFACTURE.
- MOLEX LOGO IS LOCATED APPROXIMATELY AS SHOW.
- MAXIMUM WARPAGE OF 0.13mm OVER THE LENGTH OF THE CONNECTOR IN ANY DIRECTION BEFORE AND AFTER EXPOSURE TO MAX. 260°C FOR 10 SECONDS.

TABLE-1: (CONTACT AND FITTING-NAIL PLATING SPECIFICATION)

PART NAME	MATING AREA	TERMINAL AREA	OTHERS AREA
CONTACT	GOLD (0.76µm MIN.)	TIN (1.91µm MIN.)	NICKEL PLATING
	OVER 1.27µm MIN. NICKEL UNDERPLATE		
FITTING-NAIL	TIN OVER NICKEL UNDERPLATE		

REV PACKAGING QTY EC NO: S2008-0033 DRWN:CGOH CHKD:CGTAN APPR:KCLING	2007/08/20 2007/08/20 2007/08/20	QUALITY SYMBOLS ▽=0 ◻=0	GENERAL TOLERANCES (UNLESS SPECIFIED)		DIMENSION STYLE MM ONLY		SCALE NTS	DESIGN UNITS METRIC	THIRD ANGLE PROJECTION			
				mm	INCH	DRAWN BY CGOH	DATE 2007/01/12	TITLE SERIAL ATA SCSI (SAS) PLUG, VERTICAL MOUNT SMT				
			4 PLACES	± ---	± ---	CHECKED BY	DATE					
			3 PLACES	± ---	± ---	CGTAN	2007/02/06	MOLEX INCORPORATED				
2 PLACES	± 0.20	± ---	APPROVED BY	DATE								
1 PLACE	± ---	± ---	KCLING	2007/02/06	MATERIAL NO. 78164-1051		DOCUMENT NO. SD-78164-100		SHEET NO. 1 OF 5			
A1	REV		DRAFT WHERE APPLICABLE MUST REMAIN WITHIN DIMENSIONS		SIZE A3		THIS DRAWING CONTAINS INFORMATION THAT IS PROPRIETARY TO MOLEX INCORPORATED AND SHOULD NOT BE USED WITHOUT WRITTEN PERMISSION					

10 9 8 7 6 5 4 3 2 1



DETAIL1

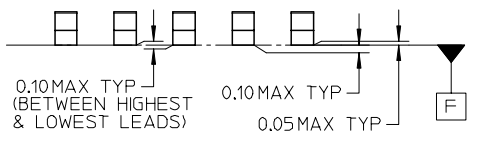
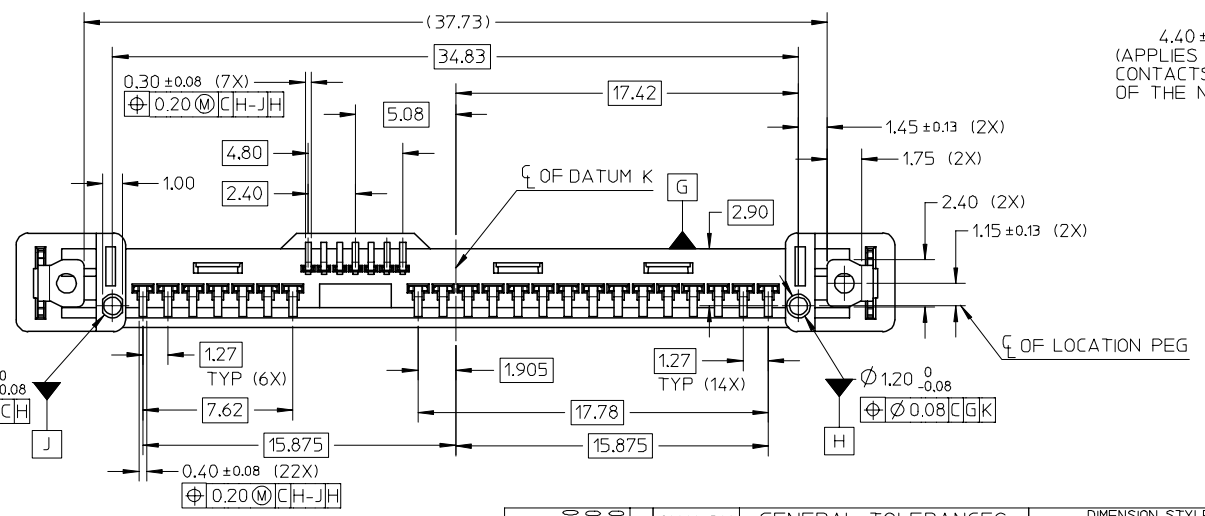
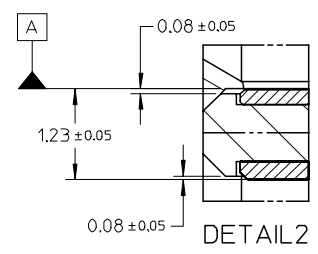
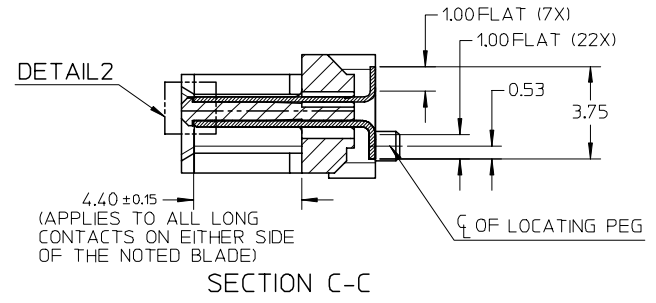
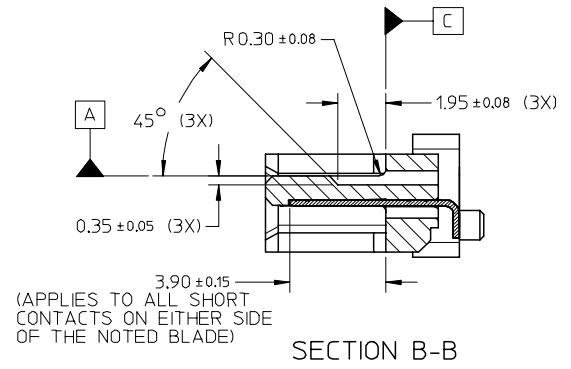
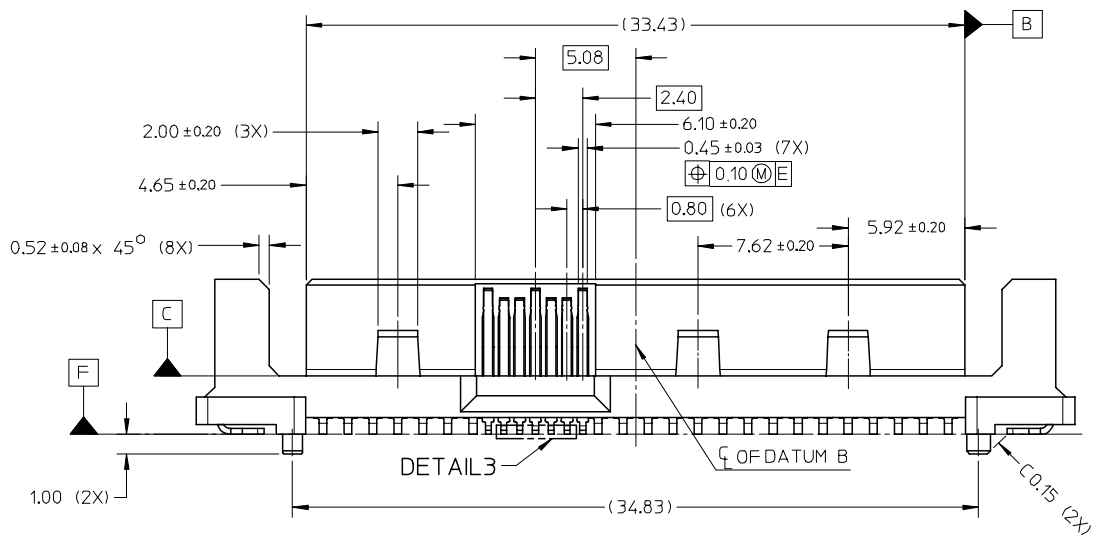
REV	DESCRIPTION
A1	REV PACKAGING QTY
	EC NO: S2008-0033
	DRWN:CGH
	CHKD:GTAN
	APPR:KCLING
	2007/08/20
	2007/08/20
	2007/08/20

QUALITY SYMBOLS	▽=0
	∇=0

GENERAL TOLERANCES (UNLESS SPECIFIED)	
	mm
	INCH
4 PLACES	± ---
3 PLACES	± ---
2 PLACES	± 0.20
1 PLACE	± ---
ANGULAR ± 3°	
DRAFT WHERE APPLICABLE MUST REMAIN WITHIN DIMENSIONS	

DIMENSION STYLE		SCALE		DESIGN UNITS		THIRD ANGLE PROJECTION	
MM ONLY		NTS		METRIC		☉	
DRAWN BY	DATE	TITLE					
CGOH	2007/01/12	SERIAL ATA SCSI (SAS) PLUG, VERTICAL MOUNT SMT					
CHECKED BY	DATE						
CGTAN	2007/02/06						
APPROVED BY	DATE						
KCLING	2007/02/06						
MATERIAL NO.		DOCUMENT NO.		SHEET NO.			
78164-1051		SD-78164-100		2 OF 5			
SIZE	THIS DRAWING CONTAINS INFORMATION THAT IS PROPRIETARY TO MOLEX INCORPORATED AND SHOULD NOT BE USED WITHOUT WRITTEN PERMISSION						
A3							

10 9 8 7 6 5 4 3 2 1



REV PACKAGING QTY EC NO: S2008-0033 DRWN:CGH CHKD:CGTAN APPR:KCLING	DESCRIPTION 2007/08/20 2007/08/20 2007/08/20	QUALITY SYMBOLS	GENERAL TOLERANCES (UNLESS SPECIFIED)	DIMENSION STYLE		SCALE	DESIGN UNITS	THIRD ANGLE PROJECTION	
		$\nabla=0$ $\sphericalangle=0$		MM ONLY	NTS	METRIC			
A1	REV		mm	INCH	DRAWN BY	DATE	TITLE		
			± ---	± ---	CGOH	2007/01/12	SERIAL ATA SCSI (SAS) PLUG, VERTICAL MOUNT SMT		
			± 0.20	± ---	CHECKED BY	DATE	MOLEX INCORPORATED		
			± ---	± ---	CGTAN	2007/02/06	MOLEX INCORPORATED		
			± ---	± ---	APPROVED BY	DATE	MOLEX INCORPORATED		
			ANGULAR ± 3°		KCLING	2007/02/06	MOLEX INCORPORATED		
			DRAFT WHERE APPLICABLE MUST REMAIN WITHIN DIMENSIONS		MATERIAL NO.	DOCUMENT NO.	SHEET NO.		
					78164-1051	SD-78164-100	3 OF 5		
					SIZE	THIS DRAWING CONTAINS INFORMATION THAT IS PROPRIETARY TO MOLEX INCORPORATED AND SHOULD NOT BE USED WITHOUT WRITTEN PERMISSION			
					A3				

9 8 7 6 5 4 3 2 1

10 9 8 7 6 5 4 3 2 1

F

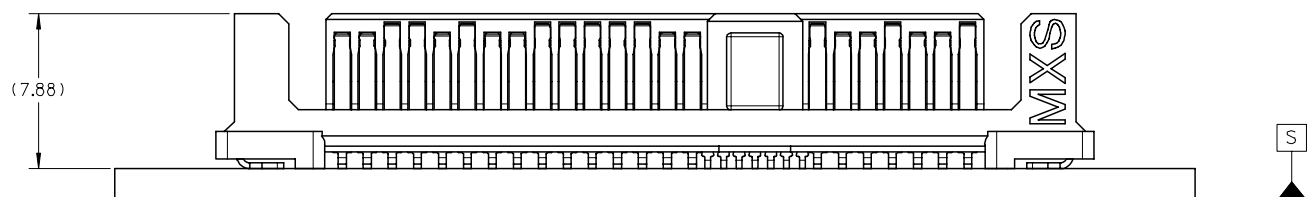
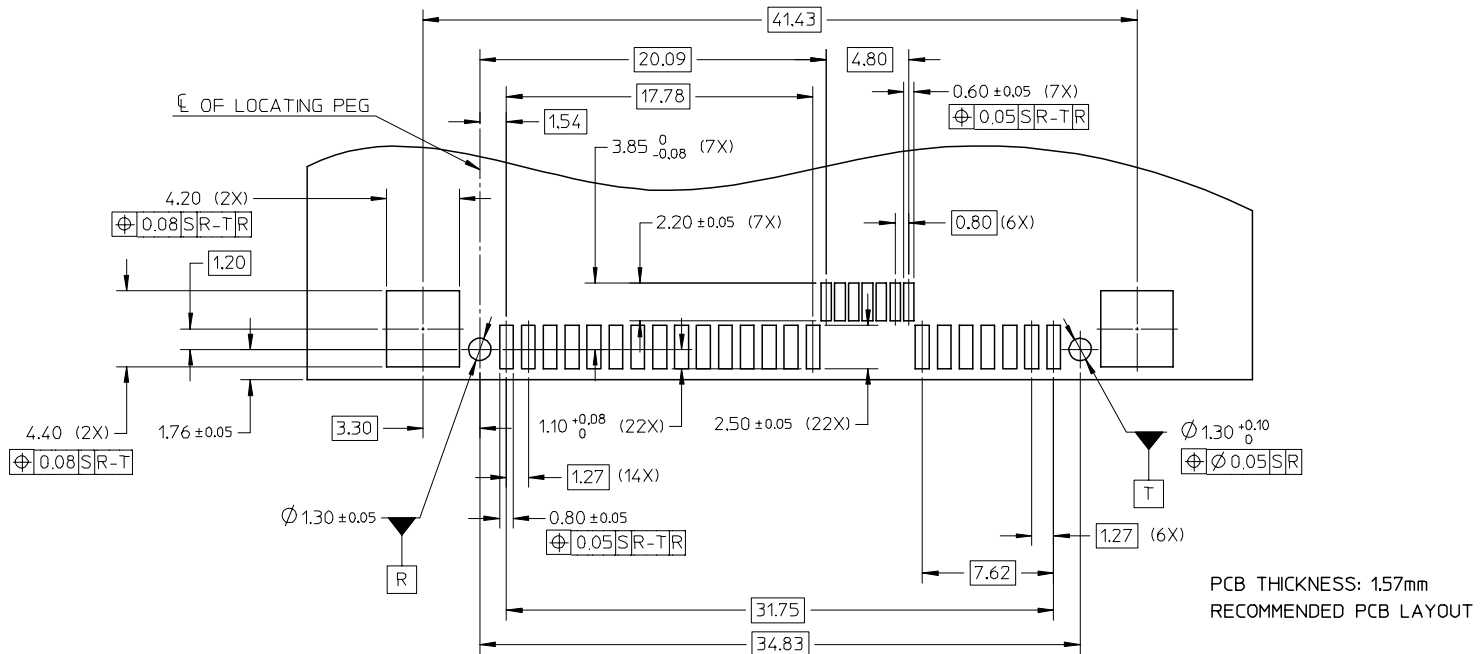
E

D

C

B

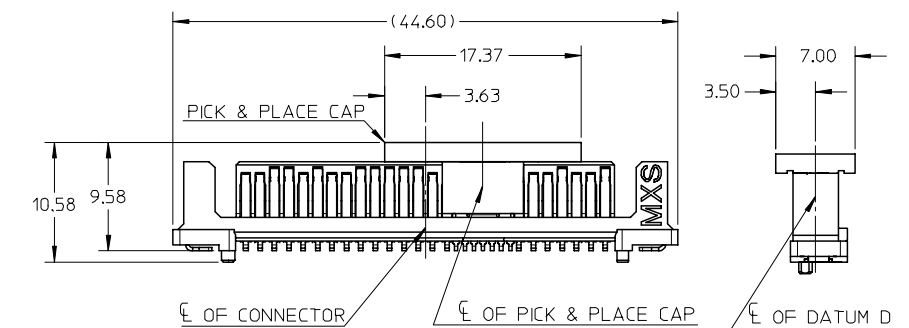
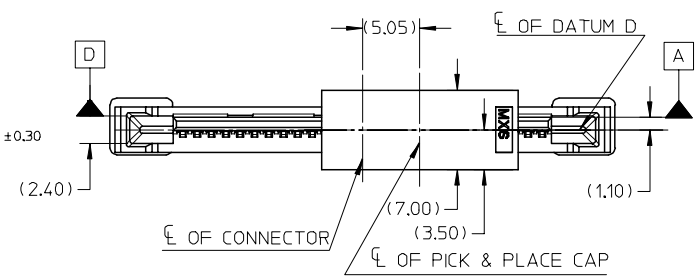
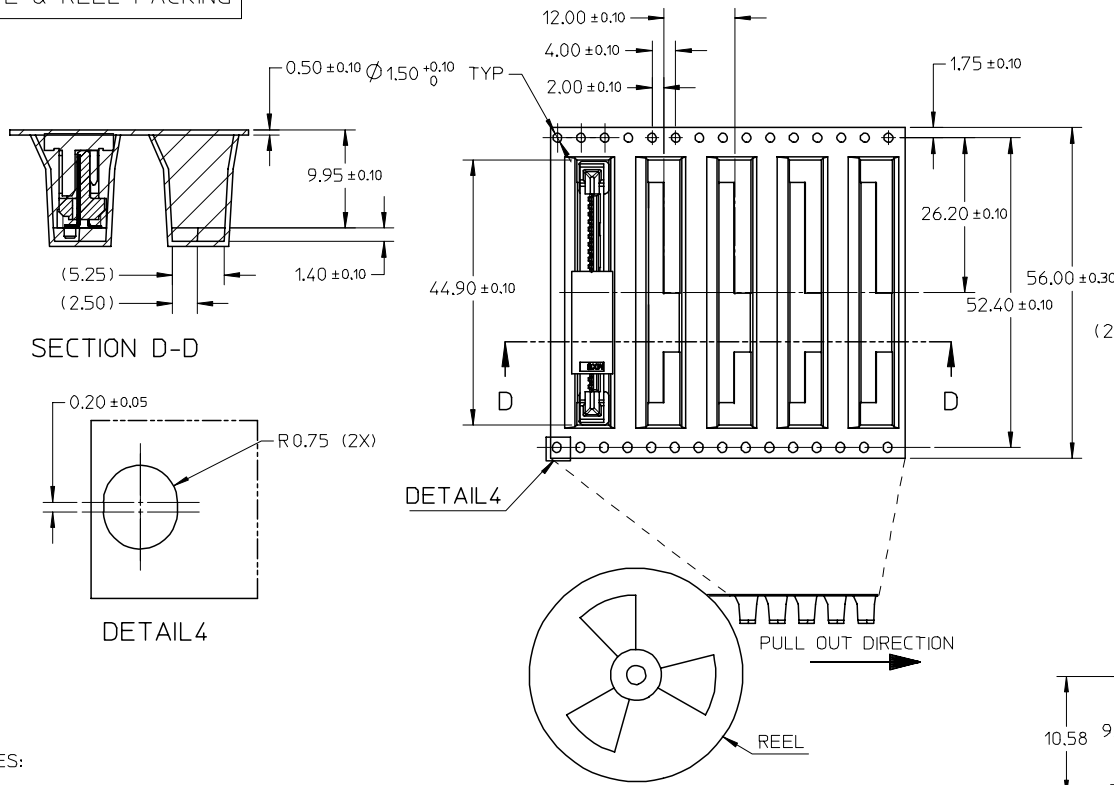
A



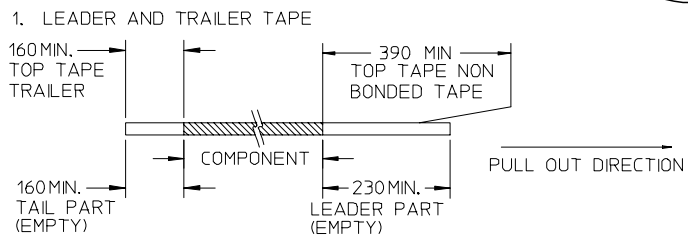
REV PACKAGING QTY EC NO: S2008-0033 DRWN:CGOH 2007/08/20 CHKD:CGTAN 2007/08/20 APPR:KCLING 2007/08/20	QUALITY SYMBOLS ▽=0 ▽=0	GENERAL TOLERANCES (UNLESS SPECIFIED)		DIMENSION STYLE MM ONLY		SCALE NTS	DESIGN UNITS METRIC	THIRD ANGLE PROJECTION			
		4 PLACES ± --- ± ---	3 PLACES ± --- ± ---	2 PLACES ± 0.20 ± ---	1 PLACE ± --- ± ---	ANGULAR ± 3 °	DRAFT WHERE APPLICABLE MUST REMAIN WITHIN DIMENSIONS	DRAWN BY CGOH	DATE 2007/01/12	TITLE SERIAL ATA SCSI (SAS) PLUG, VERTICAL MOUNT SMT	
		CHECKED BY CGTAN		DATE 2007/02/06		APPROVED BY KCLING		DATE 2007/02/06		MOLEX INCORPORATED	
		MATERIAL NO. 78164-1051		DOCUMENT NO. SD-78164-100		SHEET NO. 4 OF 5					

9 8 7 6 5 4 3 2 1

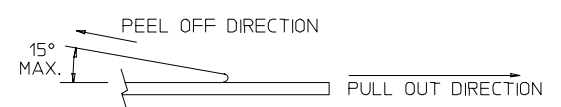
TAPE & REEL PACKING



NOTES:



2. PEELING OFF FORCE OF THE TOP TAPE: 20 - 80gf MAX.
(PEELING DIRECTION AS SHOWN IN FOLLOWING FIGURE)



3. TAPE AND REEL SPECIFICATION IS AS PER EIA-481.
4. TAPE AND REEL QUANTITY : 400 PCS/ REEL.
5. THE TAPE IS TREATED FOR ANTI-STATIC.

REV PACKAGING QTY	2007/08/20	QUALITY SYMBOLS
EC NO: S2008-0033	2007/08/20	▽=0
DRWN:CGOH	2007/08/20	▽=0
CHKD:CGTAN	2007/08/20	
APPR:KCLING	2007/08/20	
DESCRIPTION		
A1		

GENERAL TOLERANCES (UNLESS SPECIFIED)	DIMENSION STYLE	
	MM ONLY	
	mm	INCH
4 PLACES	± ---	± ---
3 PLACES	± ---	± ---
2 PLACES	± 0.20	± ---
1 PLACE	± ---	± ---
	ANGULAR ± 3 °	
DRAFT WHERE APPLICABLE MUST REMAIN WITHIN DIMENSIONS		

DRAWN BY	DATE	TITLE
CGOH	2007/01/12	SERIAL ATA SCSI (SAS) PLUG, VERTICAL MOUNT SMT
CHECKED BY	DATE	
CGTAN	2007/02/06	
APPROVED BY	DATE	
KCLING	2007/02/06	
MATERIAL NO.	78164-1051	

SCALE	DESIGN UNITS	THIRD ANGLE PROJECTION
NTS	METRIC	
MOLEX INCORPORATED		
DOCUMENT NO.	SD-78164-100	SHEET NO. 5 OF 5
THIS DRAWING CONTAINS INFORMATION THAT IS PROPRIETARY TO MOLEX INCORPORATED AND SHOULD NOT BE USED WITHOUT WRITTEN PERMISSION		