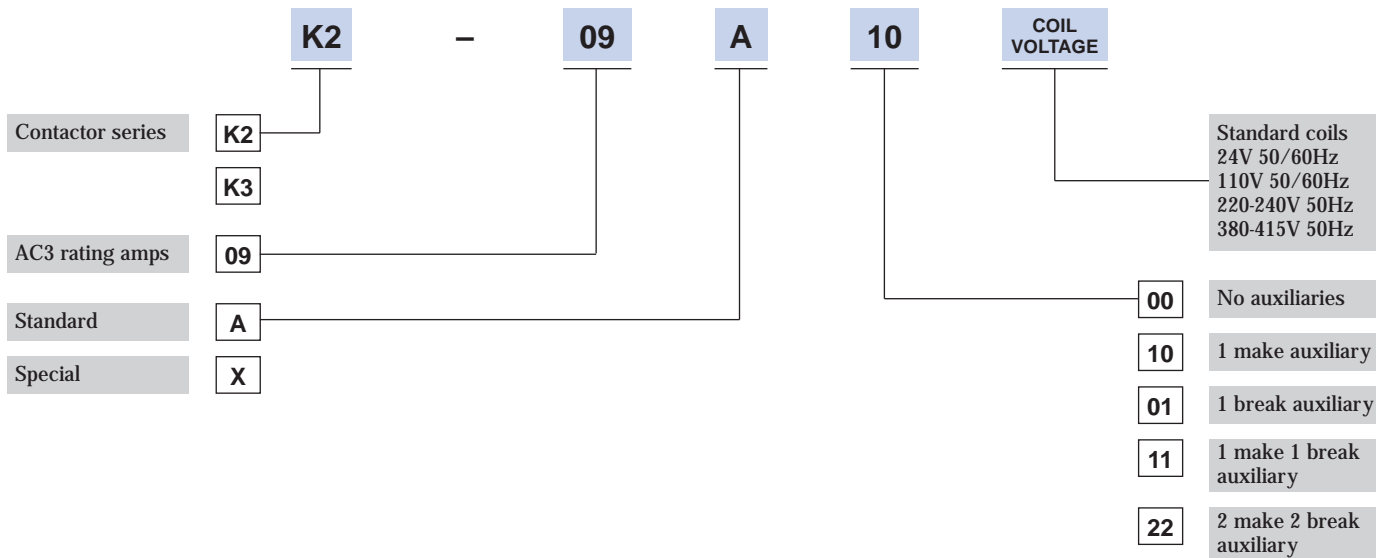


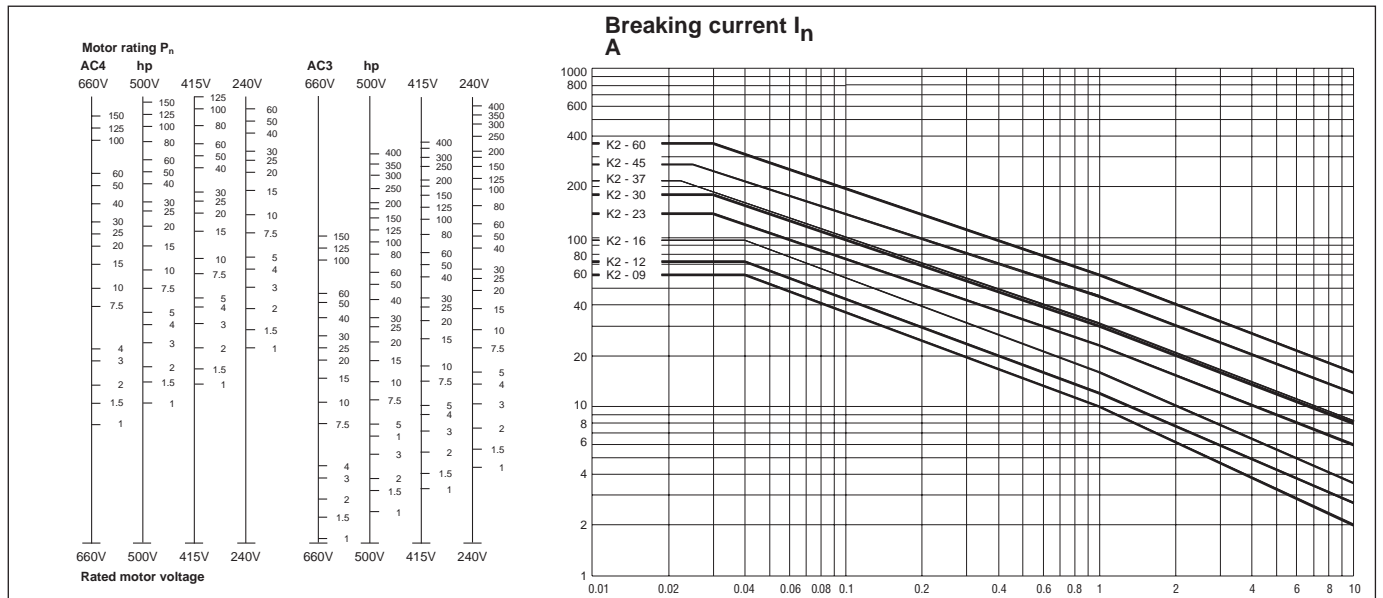
- Up to 700A AC3
- Up to 1000A AC1
- DIN rail mounting to 30 amps
- Add-on auxiliary contacts
- International approvals
- Designed to EN60947-1



## Options and ordering codes



## Contact life K2-09 to K2-60



## Approvals





### Contactors

<b>Auxiliary contacts</b> No auxiliaries 1 make 1 break 1 make 1 break 2 make 2 break		K2-09A10 K2-09A01	K2-12A10 K2-12A01	K2-16A10 K2-16A01	K2-23A10 K2-23A01	K2-30A10 K2-30A01	K2-37A10 K2-37A01	K2-45A00	K2-60A00
<b>Main contacts</b> Ratings at 400V AC		3	3	3	3	3	3	3	3
AC1 40°C	Amps	25	25	25	45	50	50	80	100
60°C	Amps	20	25	25	35	40	40	63	80
AC3	Amps	9	12	16	23	30	37	45	60
	HP	6	8	11.5	15	20	25	35	45
	KW	4	5.5	7.5	11	15	18.5	22	30
Cable cross-section									
Solid	mm <sup>2</sup>		0.75 - 4			1.5 - 10 + 1.5 - 6			4 - 35
Flexible	mm <sup>2</sup>		0.75 - 2.5			1.5 - 6 + 1.5 - 4			6 - 25
Cables per clamp			2			1 + 1			1
<b>Auxiliary contact</b> Ratings at 400V AC									
AC1 40°C	Amps		16			16			-
60°C	Amps		12			12			-
AC15 400V	Amps		4			4			-
230V	Amps		12			12			-
Cable cross-section									
Solid	mm <sup>2</sup>		0.75 - 4			0.75 - 4			0.75 - 4
Flexible	mm <sup>2</sup>		0.75 - 2.5			0.75 - 2.5			0.75 - 2.5
Cables per clamp			2			2			2
<b>Coil</b>									
Inrush VA			33 - 45			90 - 115			140 - 165
Hold VA			7 - 10			9 - 13			13 - 18
Voltage range			0.85 - 1.1			0.85 - 1.1			0.85 - 1.1
<b>Operate times</b>									
Energise	mS		8 - 16			10 - 25			12 - 28
Release	mS		5 - 13			8 - 15			8 - 15
<b>Maximum ambient temperature</b>									
Contact	°C		-40 to +60			-40 to +60			-40 to +60
With overload	°C		-25 to +60			-25 to +60			-25 to +60
<b>Mounting</b>		DIN rail						Base	



### Thermal overload relays

Single-phase protection  
Hand reset  
Trip and alarm contacts

Type	U12/16E		U32		U60	
		Product		Product		Product
<b>Current Ranges Amps</b>	0.12-0.18	U1216E0.18	10-14	U32 14	20-28	U60 28
	0.18-0.27	U1216E0.27	14-20	U32 20	28-42	U60 42
	0.27-0.4	U1216E0.4	20-28	U32 28	40-52	U60 52
	0.4-0.6	U1216E0.6	28-42	U32 42	52-65	U60 65
	0.6-0.9	U1216E0.9				
	0.8-1.2	U1216E1.2				
	1.2-1.8	U1216E1.8				
	1.8-2.7	U1216E2.7				
	2.7-4	U1216E4				
	4-6	U1216E6				
	6-9	U1216E9				
	8-11	U1216E11				
	10-14	U1216E14				
	13-18	U1216E18				
	17-23	U1216E23				
23-30	U1216E30					



K85A22		K110A22		K3-150A11	K3-175A11	K3-200A11	K3-315A11	K3-450A22	K3-550A22	K3-700A22
3	3	3	3	3	3	3	3	3	3	3
150	170	200	250	350	450	600	760	1000		
100	125	160	200	250	320	450	550	750		
85	110	150	175	200	315	450	550	700		
65	85	-	130	160	230	330	420	550		
45	55	75	90	110	160	250	315	400		
10 - 70 10 - 50 1		Busbar 18 x 5 1		Busbar 22 x 4 1	Busbar 25 x 5 1	Busbar 30 x 5 2	Busbar 40 x 6 2	Busbar 50 x 8 2		
16 12 6 12		10		2 3	10		2 3	10		2 3
0.75 - 2.5 0.75 - 2.5 2		0.75 - 2.5 0.75 - 2.5 2		0.5 - 4 0.5 - 2.5 2		0.5 - 4 0.5 - 2.5 2				
280 - 350 16 - 23 0.85 - 1.1	350 - 420 23 - 29 0.85 - 1.1	550 130 0.85 - 1.1	1100 66 0.85 - 1.1	2300 120 0.85 - 1.1	800 - 950 9 - 11 0.85 - 1.1	800 - 950 9 - 11 0.85 - 1.1	1350 - 1600 21 - 25 0.85 - 1.1			
13 - 30 8 - 15	13 - 30 8 - 15	12 - 30 15 - 40	30 - 40 15 - 45	25 - 50 15 - 30	50 - 100 150 - 200	50 - 100 150 - 200	50 - 100 150 - 200	50 - 100 150 - 200		
-40 to +60 -25 to +40		-40 to +70 -25 to +60		-40 to +70 -25 to +55		-40 to +70 -25 to +55				
Base		Base		Base		Base				



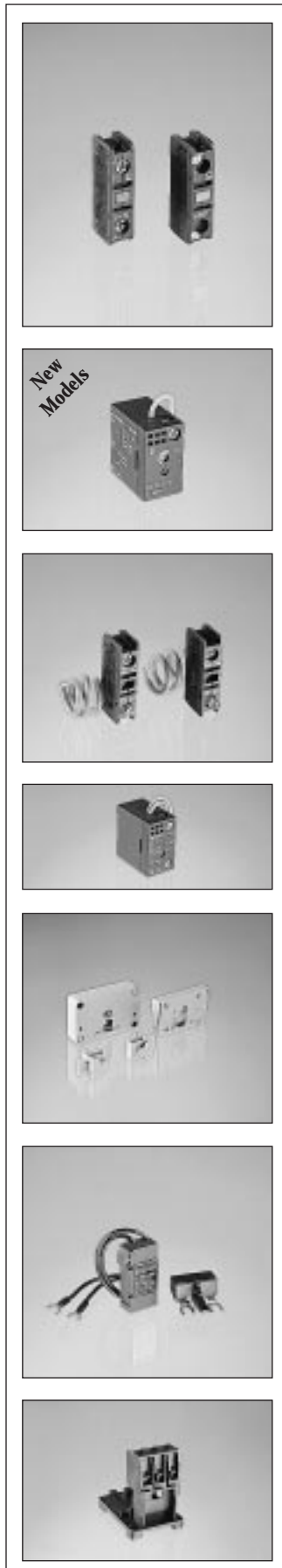
U85	
	<b>Product</b>
60-90	<b>U85 90</b>
80-120	<b>U85 120</b>
120-180	<b>U85 180</b>

U205	
	<b>Product</b>
100-150	<b>U205 150</b>
140-210	<b>U205 210</b>

U840	
	<b>Product</b>
200-340	<b>U840 340</b>
320-540	<b>U840 540</b>
500-840	<b>U840 840</b>

€ Euro prices on request

For DC coil contactors please contact IMO for further information

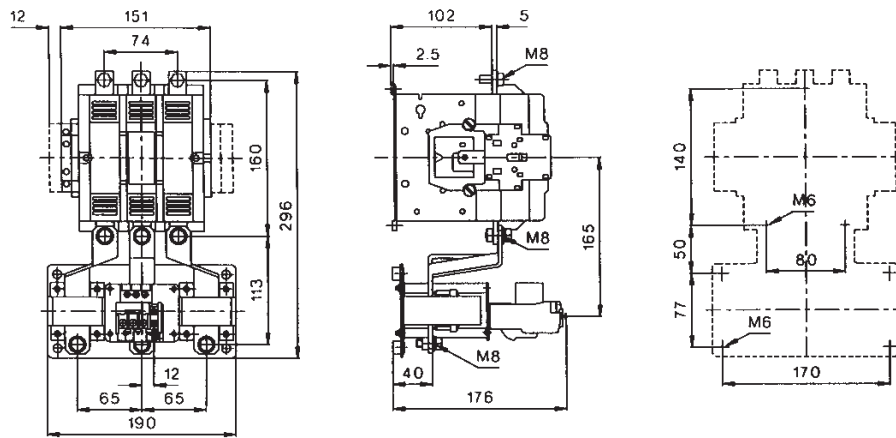


Auxiliary Contacts	Description	Product	List
<p>For use with K2-09 to K2-60</p> <p>Twin bifurcated for low level switching</p> <p>Rating AC1 @ 690V 10A AC15 @ 400V 2A - @ 230V 3A</p> <p>Maximum of 4 per contactor</p> <p>For use with K3-150 - K3-175 max 1 piece</p> <p>For use with K3-150 - K3-175 max 2 pieces</p> <p>For use with K3-200 - K3-315 max 3 pieces</p> <p>For use with K3-450 - K3-700 max 1 piece</p> <p>Rating AC1 @ 690V 10A AC15 @ 400V 2A - @230V 3A</p>	<p>1 make</p> <p>1 break</p> <p>Early make</p> <p>Late break</p> <p>1M 1B INSIDE</p> <p>1M 1B OUTSIDE</p> <p>1M 1B</p> <p>2M 2B</p>	<p>HN10</p> <p>HN01</p> <p>HN10U</p> <p>HN01U</p> <p>HKS11</p> <p>HKS11A</p> <p>HKD11</p> <p>HKF22</p>	
<p><b>Electronic Timer</b></p> <p>For use with K2-09 up to K2-60</p> <p>Delay timer with LED indicator</p> <p>Repeat accuracy 1% - Recovery time 50mS</p> <p>Rating AC15 0.75A @ 60V-0.15A @ 250V</p> <p>Max. inrush 25A - min. switching 5mA</p> <p>Delay-on supply 24-60V AC or DC - 100-250V AC or DC</p> <p>Delay-off supply 24-60V AC, 100-120V AC or 200-250V AC</p>	<p>Delay-on</p> <p>1-30 secs</p> <p>10-180 secs</p> <p>30-600 secs</p> <p>Delay-off</p> <p>1-30 secs</p> <p>10-180 secs</p> <p>30-600 secs</p>	<p>K2-TE30</p> <p>K2-TE180</p> <p>K2-TE600</p> <p>K2-TA30</p> <p>K2-TA180</p> <p>K2-TA600</p>	
<p><b>Indicator</b></p> <p>For use with K2-09 to K2-60</p> <p>Current indicator</p> <p>24-660V AC or DC (voltage drop 2V)</p> <p>Voltage indicator</p> <p>220 - 415V AC or DC</p> <p>24 - 120V AC or DC</p>	<p>Green (LED)</p> <p>Red (LED)</p> <p>White (Lamp)</p> <p>Red (LED)</p>	<p>K2-ING</p> <p>K2-INR</p> <p>K2-UN</p> <p>K2-UNR</p>	
<p><b>Interface Relay</b></p> <p>For use with K2-09 to K2-60</p> <p>Relay to interface with electronic circuits</p> <p>1 make contact rated 0.75A max 250V AC 30V DC</p>		<p>K2-IM 24V</p>	
<p><b>Mechanical Interlock</b></p> <p>For use with</p> <p>K2-09 to K2-37</p> <p>K2-23 to K2-60</p> <p>K85A22 to K110A22</p> <p>K3-150A11 to K3-175A11</p> <p>K3-200A11</p> <p>K3-315A11 to K3-550A22</p> <p>K3-700A22</p>		<p>K28851</p> <p>LG9345</p> <p>LG8511</p> <p>LG10397H</p> <p>LG10398H</p> <p>LG10400H</p> <p>LG10402H</p>	
<p><b>Coil Suppressor</b></p> <p>For use with</p> <p>K2-09 to K2-16</p> <p>K2-23 to K2-60</p>	<p>12-24V AC/DC</p> <p>24-48V AC/DC</p> <p>110-230V AC/DC</p> <p>250-415V AC/DC</p> <p>12-24V AC/DC</p> <p>24-48V AC/DC</p> <p>110-230V AC/DC</p> <p>250-415V AC/DC</p>	<p>K2-E24</p> <p>K2-E48</p> <p>K2-E220</p> <p>K2-E380</p> <p>VG-K2/24</p> <p>VG-K2/48</p> <p>VG-K2/250</p> <p>VG-K2/415</p>	
<p><b>Overload Mounting</b></p> <p>For separate mounting of overloads</p> <p>For use with</p> <p>U1216</p> <p>U32</p>	<p>With terminal</p> <p>Bracket</p> <p>Terminal</p>	<p>U12SM</p> <p>LG7589</p> <p>LG7591</p>	

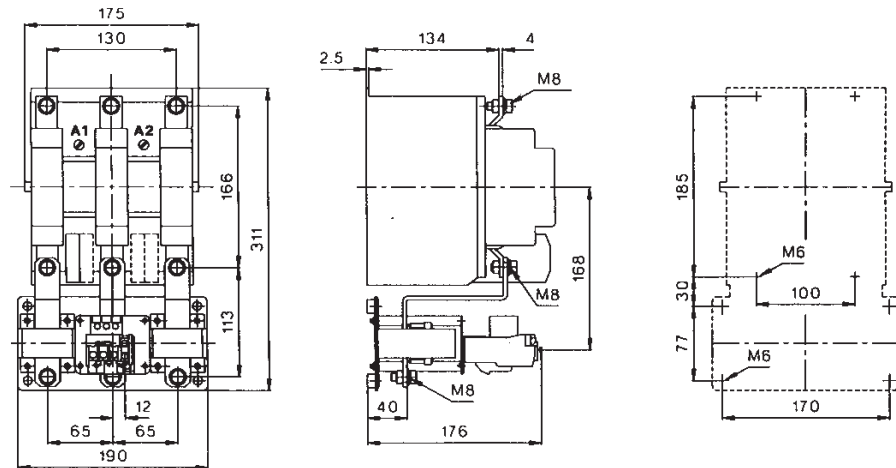


### Dimensions (mm)

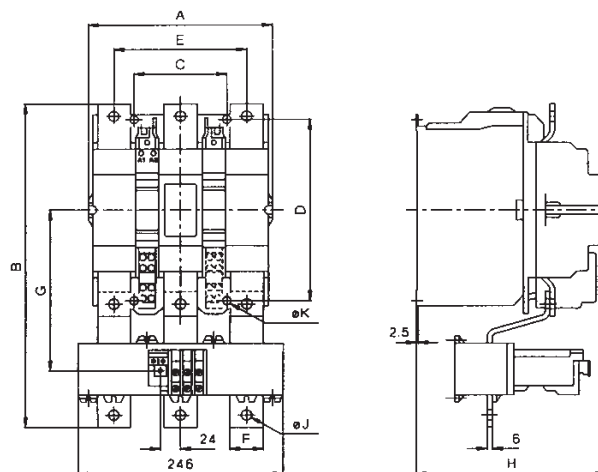
#### K3-150 to K3-175A11 + U205



#### K3-200A11 + U205



#### U840 + K3-...



U840	A	B	C	D	E	F	G	H	J	K
+K3-315	210	366	110	158	158	40	179	220	12.5	9
+K3-450	220	372	110	220	158	40	185	233	12.5	9
+K3-550	220	395	110	220	158	40	196	258	12.5	9
+K3-700	280	487	175	280	202	50	257	291	14.5	11
+K3-860	280	540	175	280	202	50	280	291	14.5	11