

PART NUMBER	VERSION	PLATING
95540-288I	STANDARD	2
95540-488I	HIGH MATING CYCLES	7

NOTES:

1- MATERIAL :

HOUSING : -LCP GLASS FILLED UL 94V0, COLOR: BLACK

TERMINAL : BRASS PLATED WITH :

PLATING 2: 0.00127/.000050 MIN GOLD IN CONTACT AREA,
0.00190/.000075 MIN TIN IN TAIL AREA,
BOTH OVER 0.00127/.000050 MIN NICKEL OVERALL

PLATING 7: POST PLATE 0.00005/.000002 MIN GOLD OVER 0.00076/.000030 MIN
PALLADIUM NICKEL IN CONTACT AREA 0.00190/.000075 MIN
TIN IN TAIL AREA BOTH OVER 0.00127/.000050 MIN NICKEL OVERALL.

SHIELD : BRASS PLATED WITH 0.0020/.000078 MIN. TIN

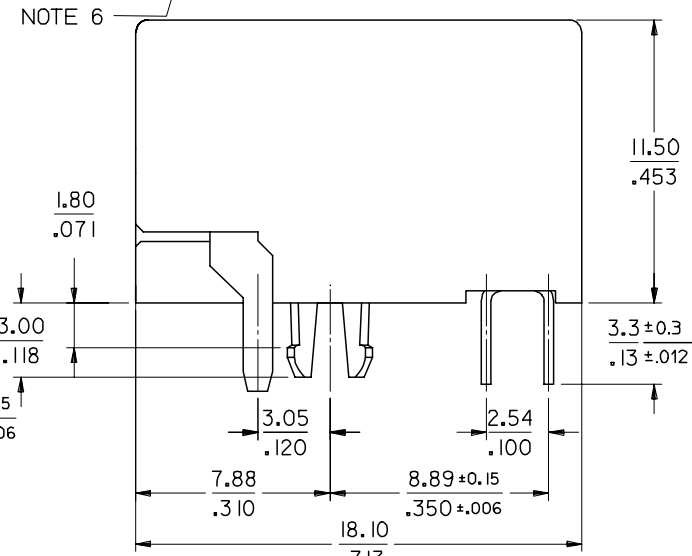
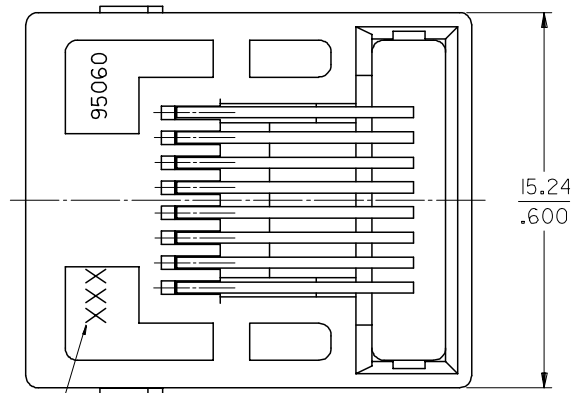
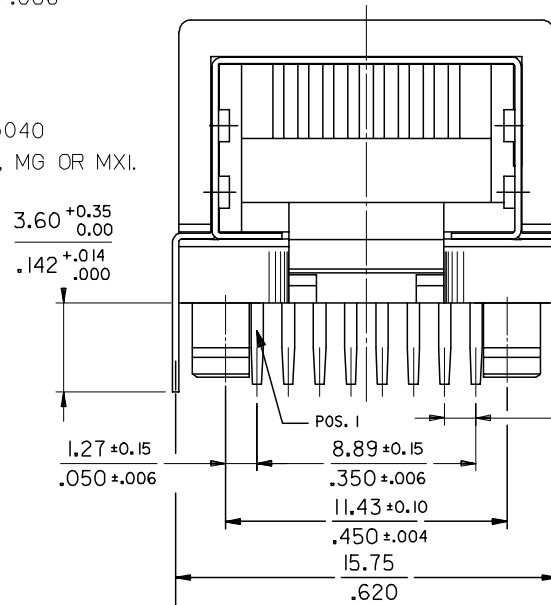
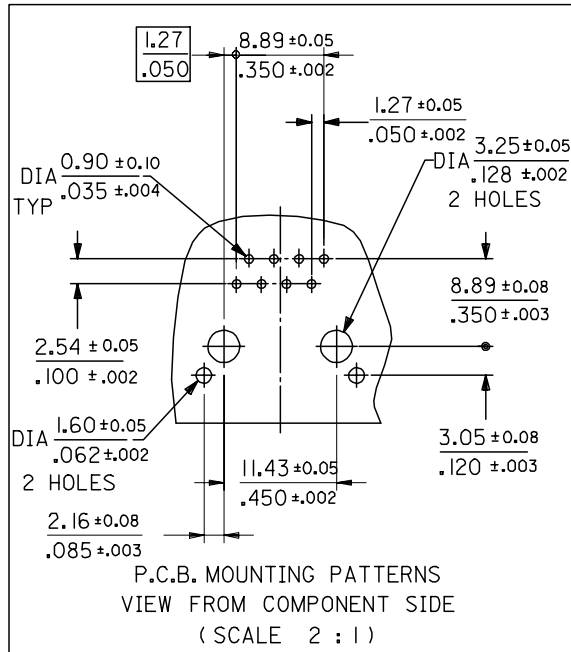
2- P.C. BOARD THICKNESS : 1.57/.062 ± 0.15/.006

3- JACK FOR MATING WITH F.C.C. 68 PLUGS
95043 MOLEX SERIES.

4- PRODUCT SPECIFICATION: PS-95540-002

5- PACKAGING SPECIFICATION: MOLEX PK-95040

6- MANUFACTURING I.D. CAN BE EITHER MXF, MG OR MXI.



MODIFIED MATL EC NO: E2007-1026 DRWN:DBYRNES 2007/06/19 CHKD: 2007/06/20 APPR:EOMAHONY 2007/06/21	QUALITY SYMBOLS ▽=0 ▽=0	GENERAL TOLERANCES (UNLESS SPECIFIED)		DIMENSION STYLE MM/IN		SCALE 5:1	DESIGN UNITS METRIC	THIRD ANGLE PROJECTION	
		4 PLACES ± --- ± --- 3 PLACES ± --- ± .004 2 PLACES ± 0.1 ± .006 1 PLACE ± 0.15 ± --- ANGULAR ± 1/2°	DRAWN BY KNOLLER DATE 04/06/18	CHECKED BY FCARABET DATE 04/08/28	APPROVED BY KNOLLER DATE 04/06/29	TITLE RIGHT ANGLE LOW PROFILE SHIELDED PC JACK (THROUGH HOLE VERSION)		MOLEX INCORPORATED	
DRAFT WHERE APPLICABLE MUST REMAIN WITHIN DIMENSIONS	SEE CHART	MATERIAL NO.		DOCUMENT NO. SD-95540-001		THIS DRAWING CONTAINS INFORMATION THAT IS PROPRIETARY TO MOLEX INCORPORATED AND SHOULD NOT BE USED WITHOUT WRITTEN PERMISSION			