

Specifications

Insulation Resistance: 106MΩ min. at 500V DC
 Withstanding Voltage: 1,000V AC rms for 1 minute
 Contact Resistance: 20mΩ max. at 10mA
 Current Rating: 1A
 Operating Temp. Range: -65°C to +85°C

Materials and Finish

Housing: PBT (glass filled), UL 94V-0 rated
 Contacts: Copper Alloy
 Plating: Mating Face Contacts - Au over Nickel
 IDC Terminals - Flash Au over Nickel



Features

⇒ 2.54mm pitch IDC type connectors for 1.27mm cable, conforming to DIN41612 standards of compatibility



Part Number (Details)

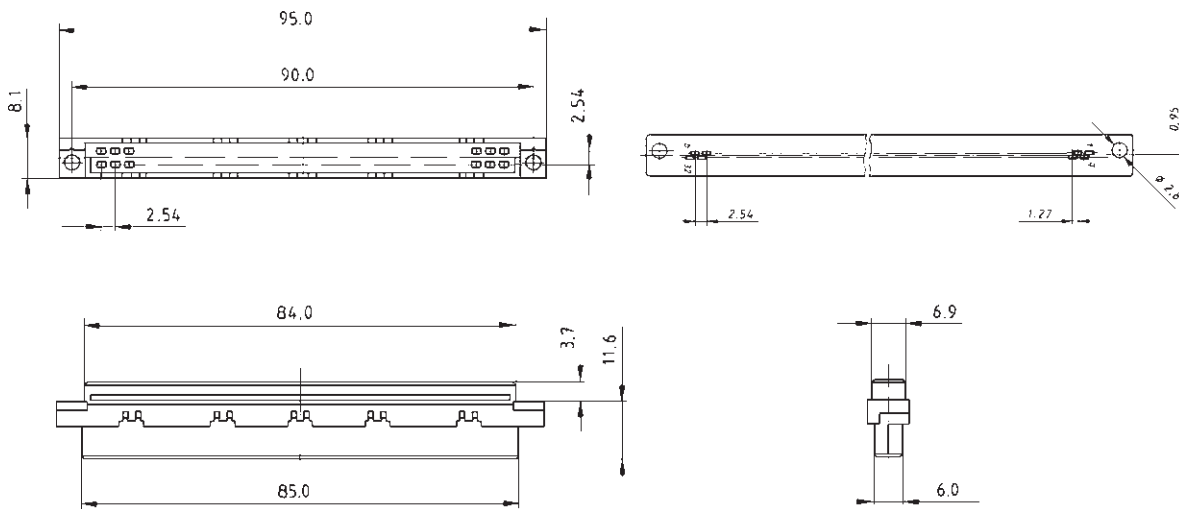
FNS12 - 064 00-00 B F

Series No.	
No. of Leads	
Terminal Type	00 = IDC
Contact Plating in Mating Area:	B = Au 0.3μm min. over Ni
Contact Plating in IDC Area:	F = Flash Au over Ni

Part Number for Strain Relief:
FNS13-06400-1000

Applicable Cables (see Section D)
 AWG 28 stranded wire,
 AWG 30 solid wire, with 1.27mm pitch

Outline Dimensions

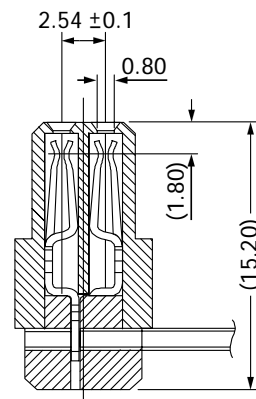


Applicable Tool for FNS Series

- ⇒ Hand press: FX-003
- ⇒ Positioning Tool for FNS12 = Part No. FN-106



Contact Details (contacts in rows A and B)



Specifications

Insulation Resistance: 106MΩ min. at 500V DC
 Withstanding Voltage: 1,000V AC rms for 1 minute
 Contact Resistance: 20mΩ max. at 10mA
 Current Rating: 1A
 Operating Temp. Range: -65°C to +85°C

Materials and Finish

Housing: PBT (glass filled), UL 94V-0 rated
 Contacts: Copper Alloy
 Plating: Mating Face Contacts - Au over Nickel
 IDC Terminals - Flash Au over Nickel



Features

⇨ 2.54mm pitch IDC type connectors for 1.27mm cable, conforming to DIN41612 standards of compatibility



Part Number (Details)

FNS13 - 064 00-00 B F

Series No.

No. of Leads

Terminal Type
 00 = IDC

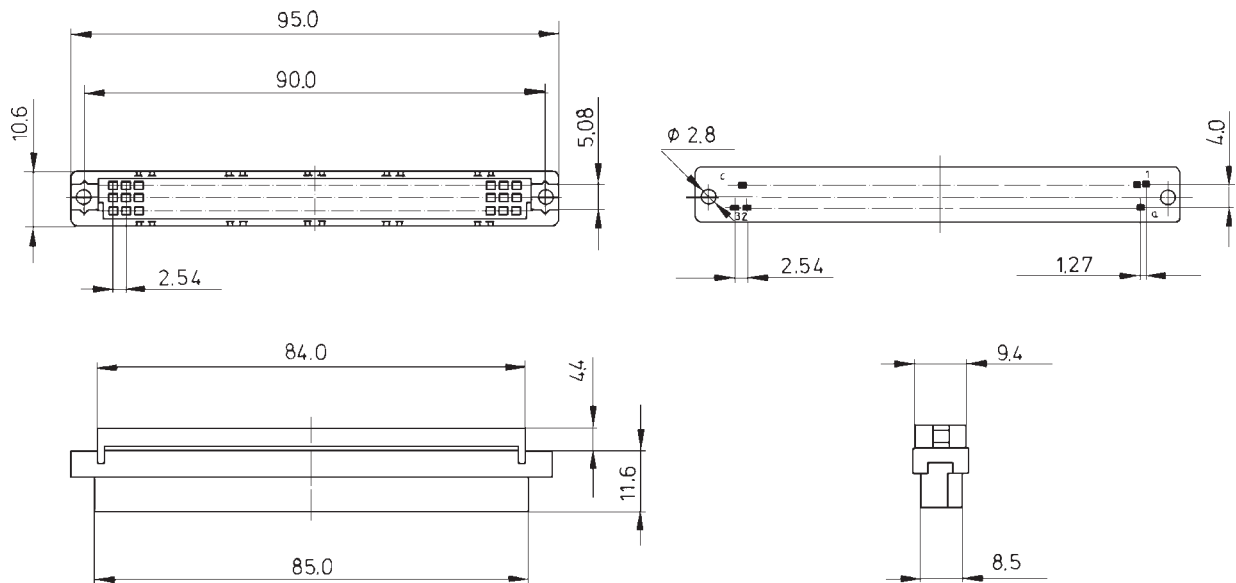
Contact Plating in Mating Area:
 B = Au 0.3μm min. over Ni

Contact Plating in IDC Area:
 F = Flash Au over Ni

Part Number for Strain Relief:
FNS13-06400-1000

Applicable Cables (see Section D)
 AWG 28 stranded wire,
 AWG 30 solid wire, with 1.27mm pitch

Outline Dimensions



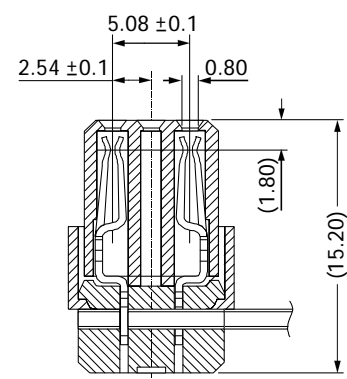
Applicable Tool for FNS Series

⇨ Hand press: FX-003

⇨ Positioning Tool for FNS13 = Part No. FN-105



Contact Details (contacts in rows A and C)



Specifications

Insulation Resistance: 106MΩ min. at 500V DC
 Withstanding Voltage: 1,000V AC rms for 1 minute
 Contact Resistance: 20mΩ max. at 10mA
 Current Rating: 1A
 Operating Temp. Range: -65°C to +85°C

Materials and Finish

Housing: PBT (glass filled), UL 94V-0 rated
 Contacts: Copper Alloy
 Plating: Mating Face Contacts - Au over Nickel
 IDC Terminals - Au over Nickel



Features

⇒ 2.54mm pitch IDC type connectors for 0.847mm cable, conforming to DIN41612 standards of compatibility



Part Number (Details)

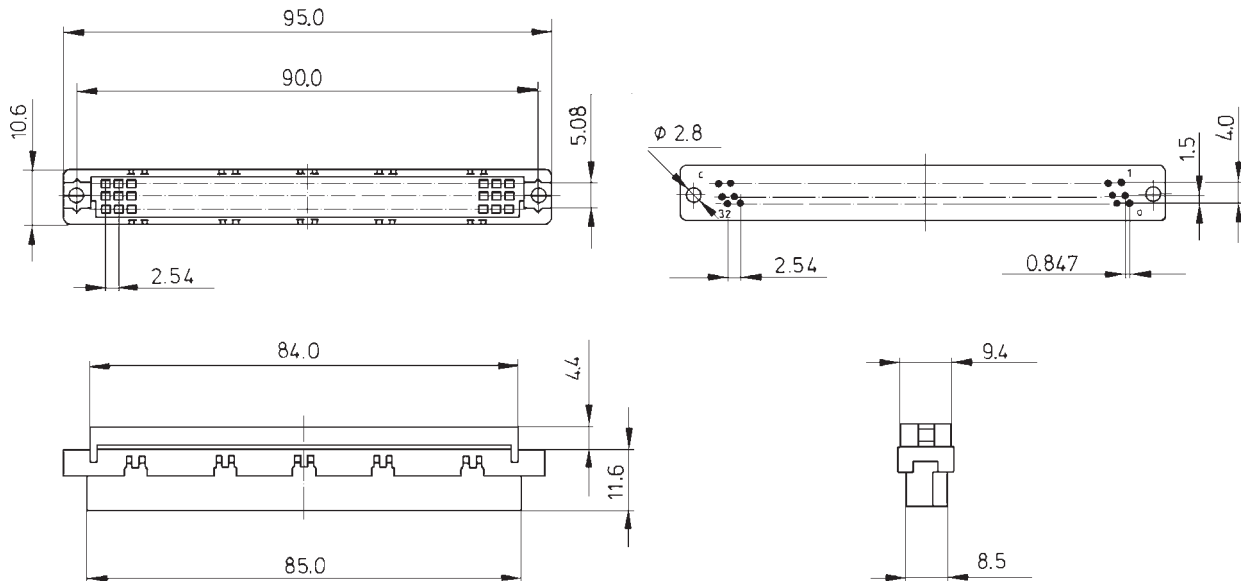
FNS13 - 096 00 -00 B F

Series No.	
No. of Leads	
Terminal Type	00 = IDC
Contact Plating in Mating Area:	B = Au 0.3μm min. over Ni
Contact Plating in IDC Area:	F =Flash Au over Ni

Part Number for Strain Relief:
FNS13-06400-1000

Applicable Cables (see Section D)
 AWG 28 stranded wire,
 AWG 30 solid wire, with 1.27mm pitch

Outline Dimensions

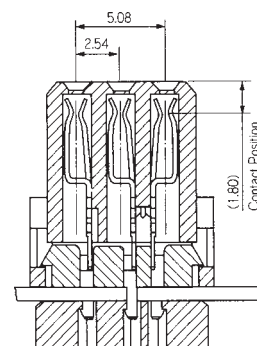


Applicable Tool for FNS Series

- ⇒ Hand press: FX-003
- ⇒ Positioning Tool for FNS13 = Part No. FN-105



Contact Details (contacts in rows A, B and C)



Specifications

Insulation Resistance:	5MΩ / km min. at 20°C
Withstanding Voltage:	1,500V AC / min.
Current Rating:	0.5A
Voltage Rating:	150V max.
Conductor Resistance:	362Ω / km max. at 20°C
Characteristic Impedance:	89Ω approx. (ground- signal- ground)
Capacity:	65pF / m at 1kHz (ground- signal- ground)
Dimension:	AWG 30
Operating Temp. Range:	-20°C to +105°C

Part Number (Details)

TFC30 - 96 (0.847) *

Series No.

No. of Conductors:
96

Packing Sizes:

- = In Rolls (30.5 meters)
/ M = 1 meter

Features

- ⇨ 33MIL, 0.847mm pitch flat cable designed for termination with DIN41612 IDC connectors (96 pos.)
- ⇨ AWG 30 (7/0.1mm) stranded Cu-wire
- ⇨ UL Style No. 2678

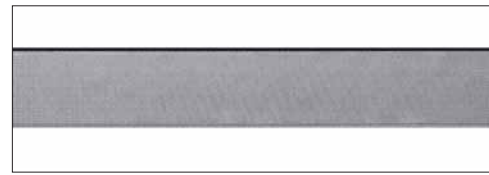
Applicable Tools for FNS Series

- ⇨ Hand press: FX-003
- ⇨ Positioning Tools for FNS12: FN-106
FNS13: FN-105



Standard Cable Length

⇨ see Part Number (Details)



Outline Cable Dimensions

