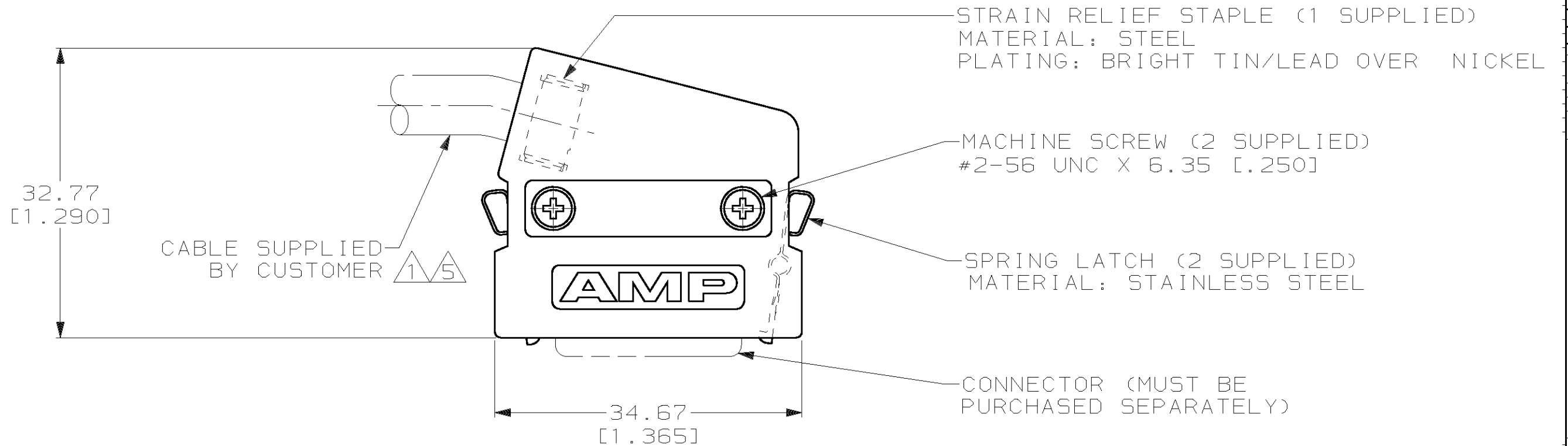
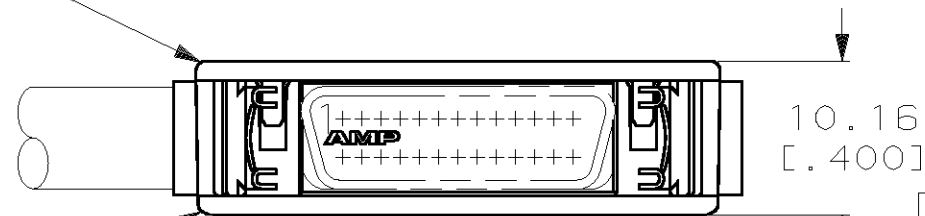


THIS DRAWING IS UNPUBLISHED. RELEASED FOR PUBLICATION, 19 .
 © COPYRIGHT 19 BY AMP INCORPORATED. ALL INTERNATIONAL RIGHTS RESERVED.

LOC	DIST	P	F	REVISIONS				
GP	00			ZONE	LTR	DESCRIPTION	DATE	APPD
					E	REVISED PER EC 0513-0134-02	05JUN02	JG



UPPER BACKSHELL (1 SUPPLIED)
 MATERIAL: ZINC
 PLATING: NICKEL OVER COPPER



LOWER BACKSHELL (1 SUPPLIED)
 MATERIAL: ZINC
 PLATING: NICKEL OVER COPPER

△4	△5	△6	749609-3
△4	△1		749609-2
△3	△1		749609-1
PACKAGING		MAX CABLE DIA.	PART NO

- △1 6.86 [.270] MAX CABLE DIA.
- 2. DIMENSIONS IN BRACKETS ARE IN INCHES.
- △3 PACKAGED ONE KIT PER BAG.
- △4 BULK PACKAGED.
- △5 8.13 [.320] MAX CABLE DIA.
- △6 PRELIMINARY, NOT RELEASED FOR PRODUCTION.

METRIC

DO NOT SCALE PRINT. UNLESS SPECIFIED DIMENSIONS IN MM [INCHES] TOLERANCES ON: 2 PLC DEC ± - 3 PLC DEC ± 0.38 [.015] ANGLES ± -	DR 05/08/89 M.MCCAFFREY	AMP AMP INCORPORATED Harrisburg, Pa. 17105
	CHK 05/11/89 M.E.SHIRK	
	APPD 05/23/89 J.BROSCHARD	NAME INDIVIDUAL KIT, UNASSEMBLED, 26 POSITION, 75° EXIT, UNKEYED, AMPLIMITE .050 Series
	APPD -	SIZE B FSCM NO 00779 DRAWING NO 749609
MATERIAL -	PRODUCT SPEC -	SCALE 2:1 SHEET 1 OF 1
FINISH -	APPLICATION SPEC -	
WEIGHT -		