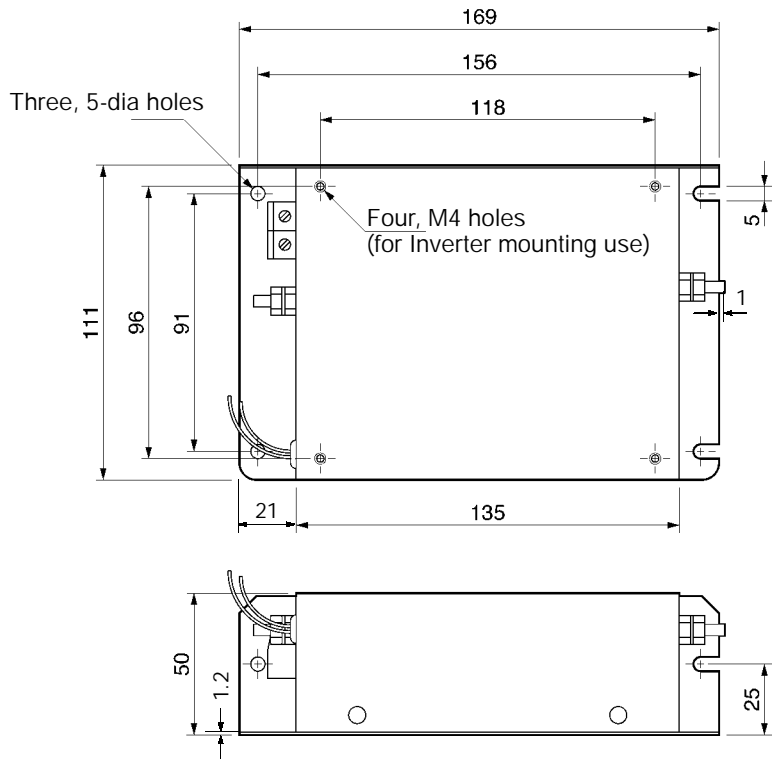
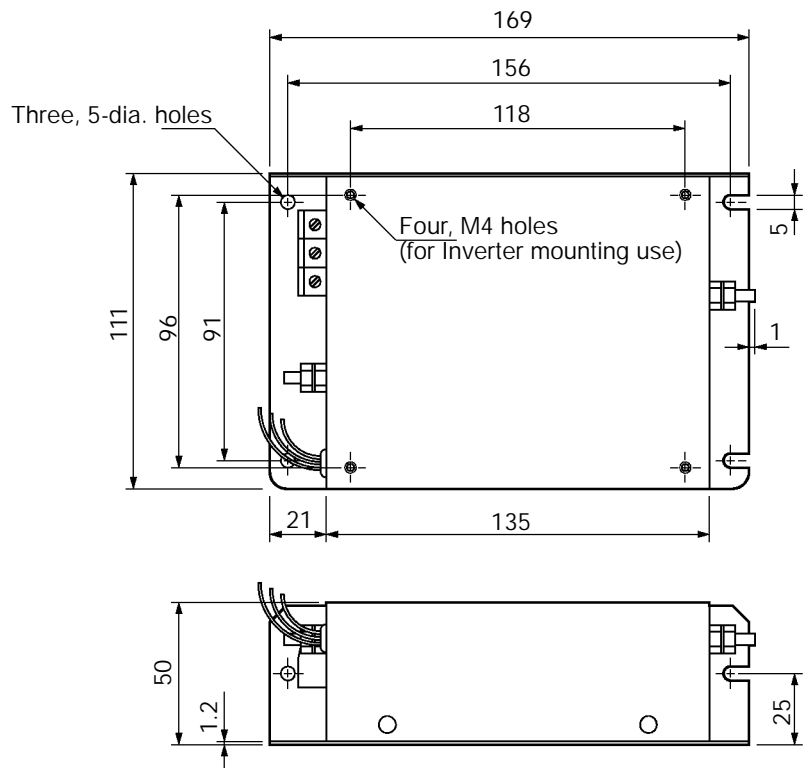


D 3G3JV-PFI1020E

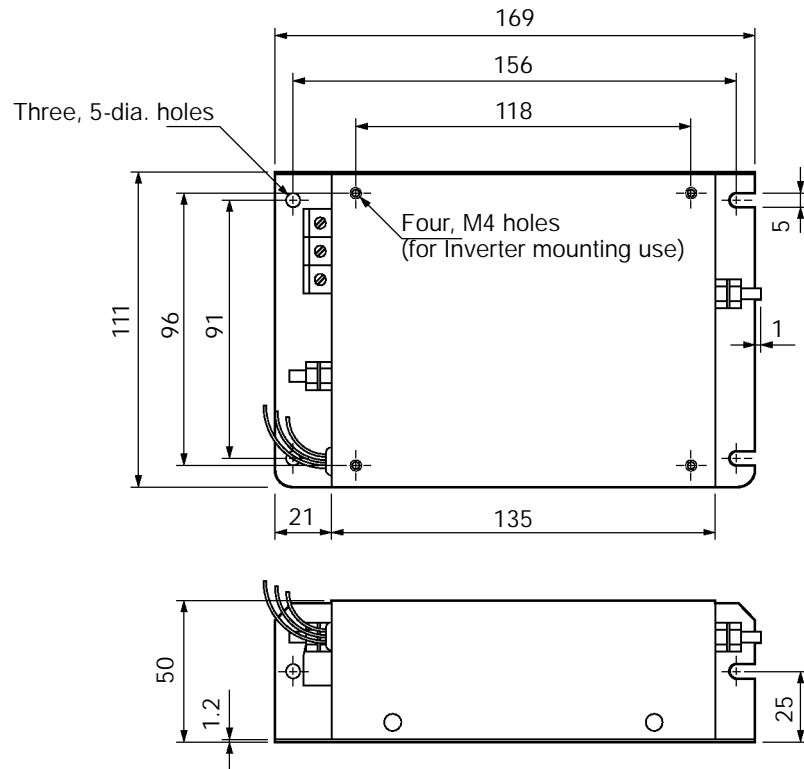


Noise Filters for 3-phase 400-V AC Models

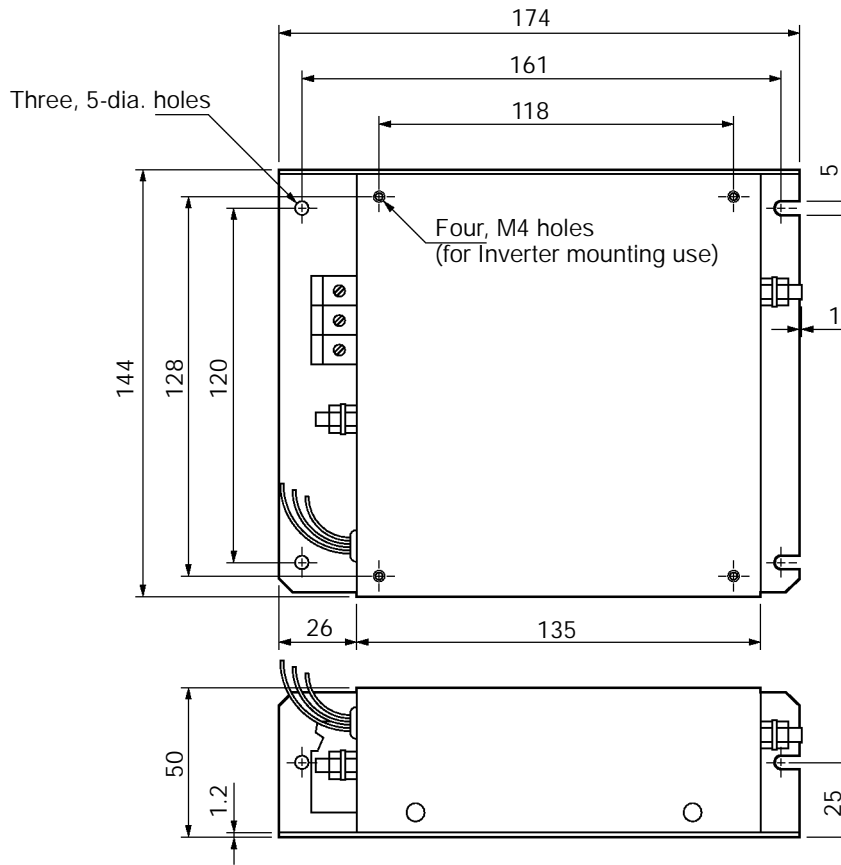
D 3G3JV-PFI3005E



D 3G3JV-PFI3010E



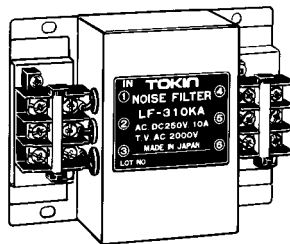
D 3G3JV-PFI3020E



8-3-2 Output Noise Filter

H 3G3IV-PLFj (Tokin)

The Output Noise Filter suppresses the generated noise of the Inverter from being transmitted to the output line. Connect the Output Noise Filter to the output side of the Inverter.



H Connection Example

