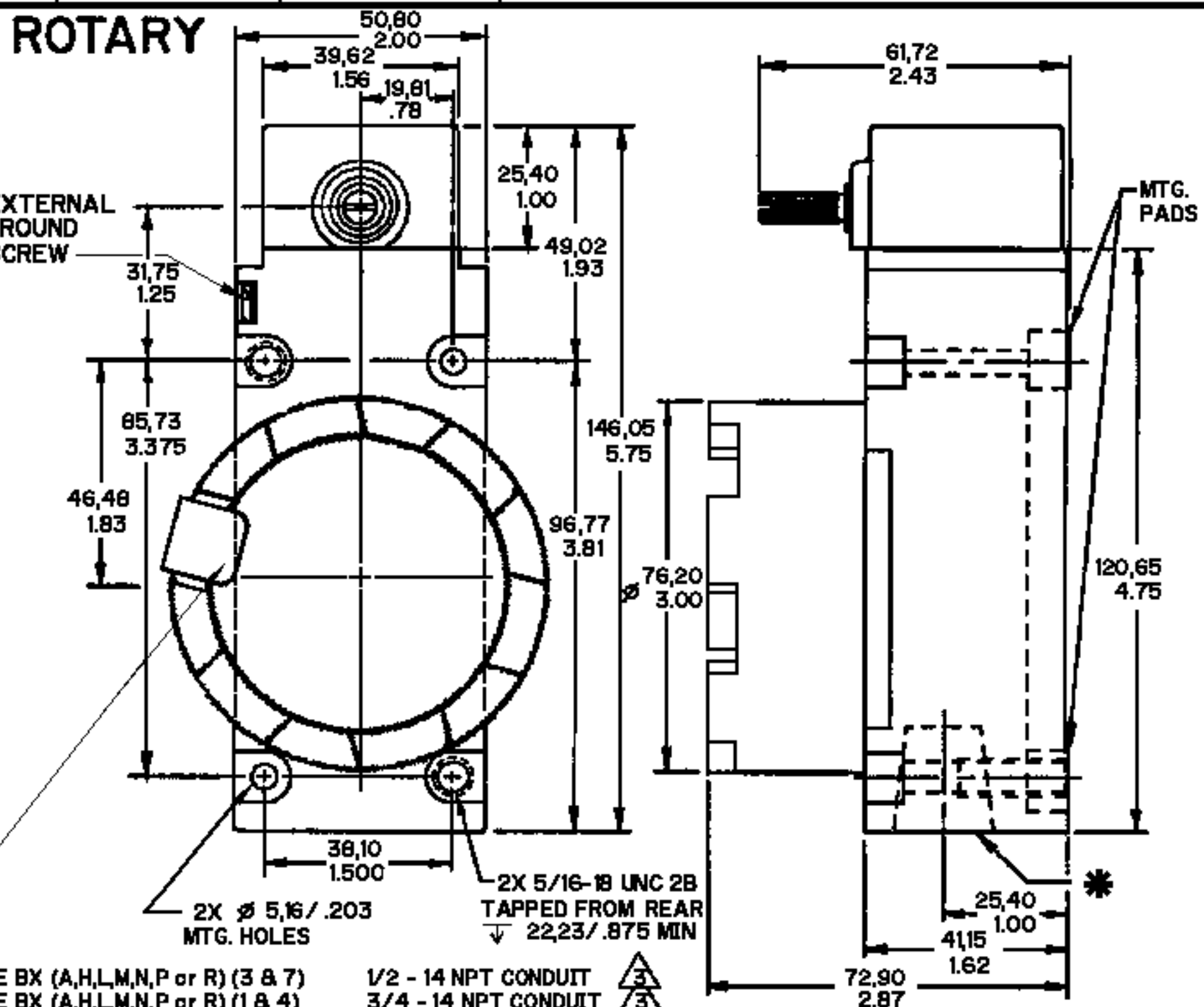
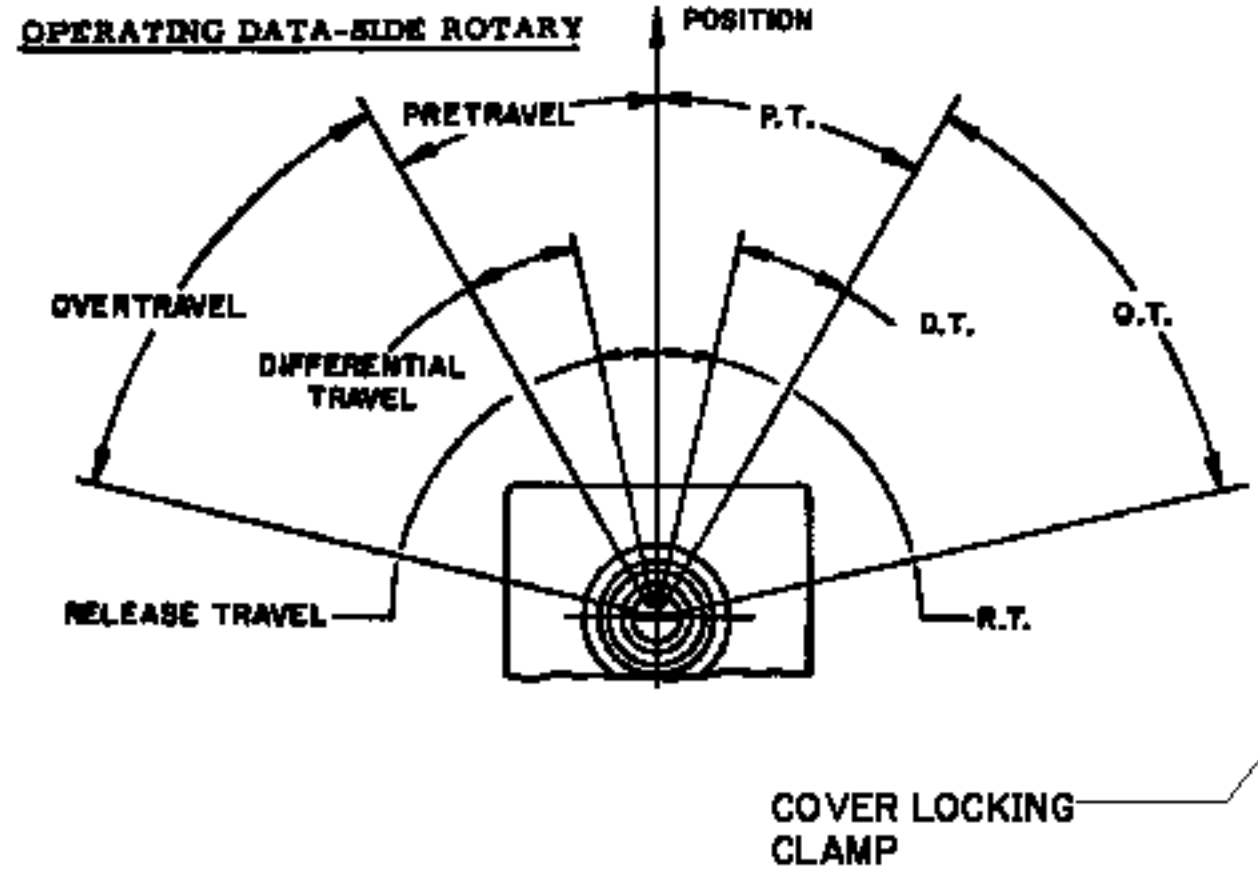


SIDE ROTARY

- NOTES**
- 1 - CONSTRUCTED IN ACCORDANCE WITH EN-50014/ EN-50018 GROUP II C
 - 2 - VOLUME: 27 CU. IN. (442 CU. CM.) APPROX
 - 3 - EXPLOSION PROOF - UNDERWRITERS LAB INC. LISTED FOR HAZARDOUS LOCATIONS CLASS I, GROUPS B, C, AND D; CLASS II GROUPS E, F, AND G
 - 4 - SIRA CERTIFIED PRODUCTS. NO MODIFICATIONS PERMITTED WITHOUT REFERENCE TO SIRA
 - 5 - CONFORMS TO EExd IIC T6
 CE 0519
 SIRA 00ATEX1037 X
 CAT II 2 GD



- * TYPE BX (A,H,L,M,N,P or R) (3 & 7) 1/2 - 14 NPT CONDUIT
- TYPE BX (A,H,L,M,N,P or R) (1 & 4) 3/4 - 14 NPT CONDUIT
- TYPE BX3 (A,H,L,M,N,P or R) (1 THRU 4) PG 13.5 CONDUIT
- TYPE BX4 (A,H,L,M,N,P or R) (1 THRU 4) 20MM CONDUIT
- TYPE BX5 (A,H,L,M,N,P or R) (1 THRU 4) PF 1/2 CONDUIT

ANSI Y14.6M-1982 APPLIES
 MASTER REDUCED

MICRO SWITCH
 a Honeywell Division
 FED. REG. CODE 01929

SWITCH - ENCLOSED

CATALOG LISTING
 BX SERIES
 CHART 1

SCALE FULL
 DO NOT SCALE PRINT
 UNLESS OTHERWISE SPECIFIED TOLERANCES ARE
 ONE PLACE .LD ±.030
 TWO PLACES .CO ±.015
 THREE PLACES .000 ±.005
 ANGLES ±

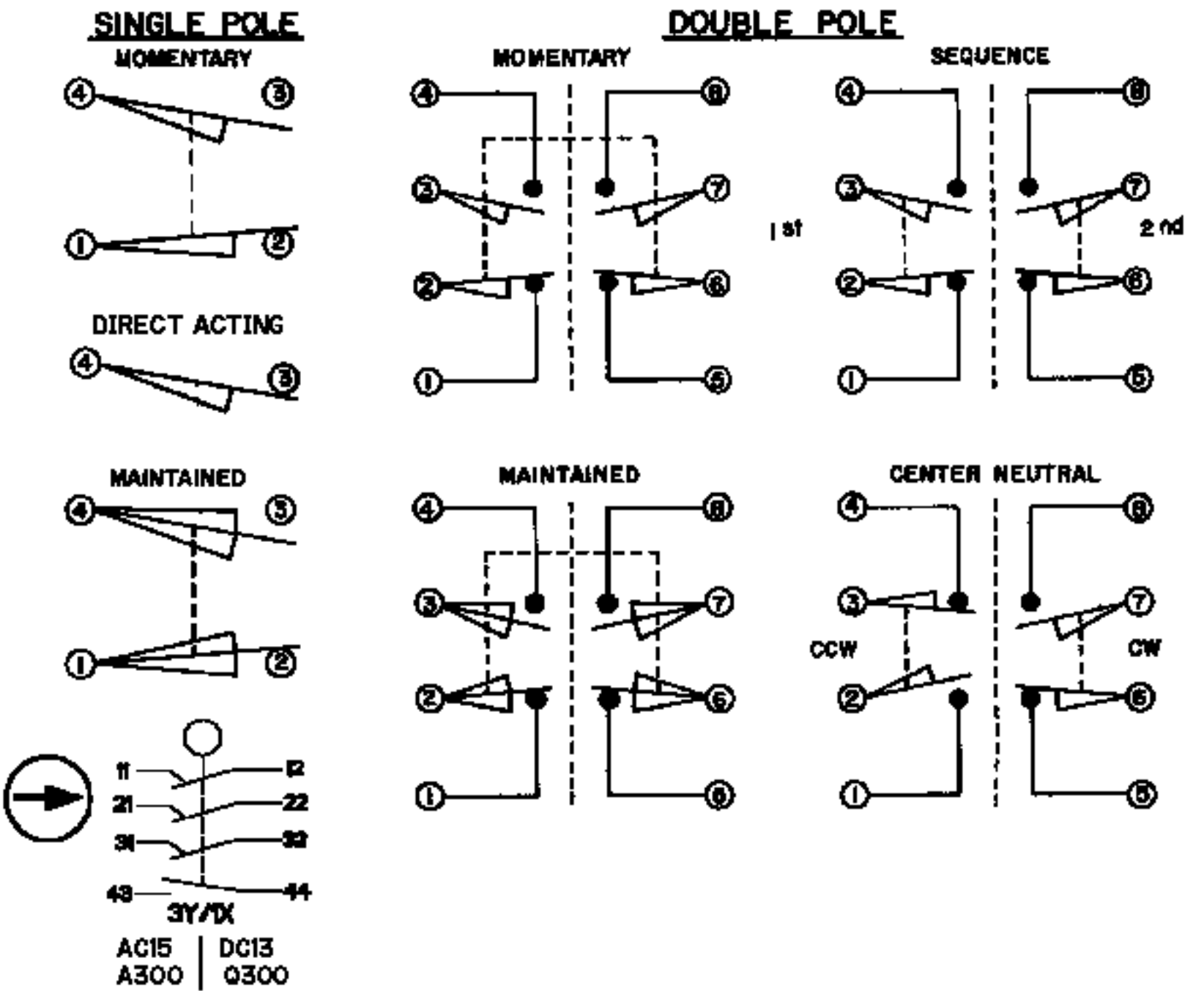
ELECTRICAL RATINGS

10 AMP CONT.

A.C. VOLTAGE					POWER FACTOR
	SINGLE POLE		DOUBLE POLE		
	MAKE	BREAK	MAKE	BREAK	
120	60	6	30	3	.35
240	30	3	15	1.5	.35
480	15	1.5	7.5	.75	.35
600	12	1.2	6	.6	.35
A300/120V	N/A	N/A	60	6	.30
A300/240V	N/A	N/A	30	3	.30

D.C. VOLTAGE	MAKE & BREAK INDUCTIVE	RESISTIVE
120	0.25	0.80
240	0.15	0.40
Q300/125V	.55	N/A
Q300/250V	.27	N/A

WIRING BASIC SWITCH SAME POLARITY MUST BE OBSERVED (NOT APPLICABLE TO 3Y/1X CIRCUIT)

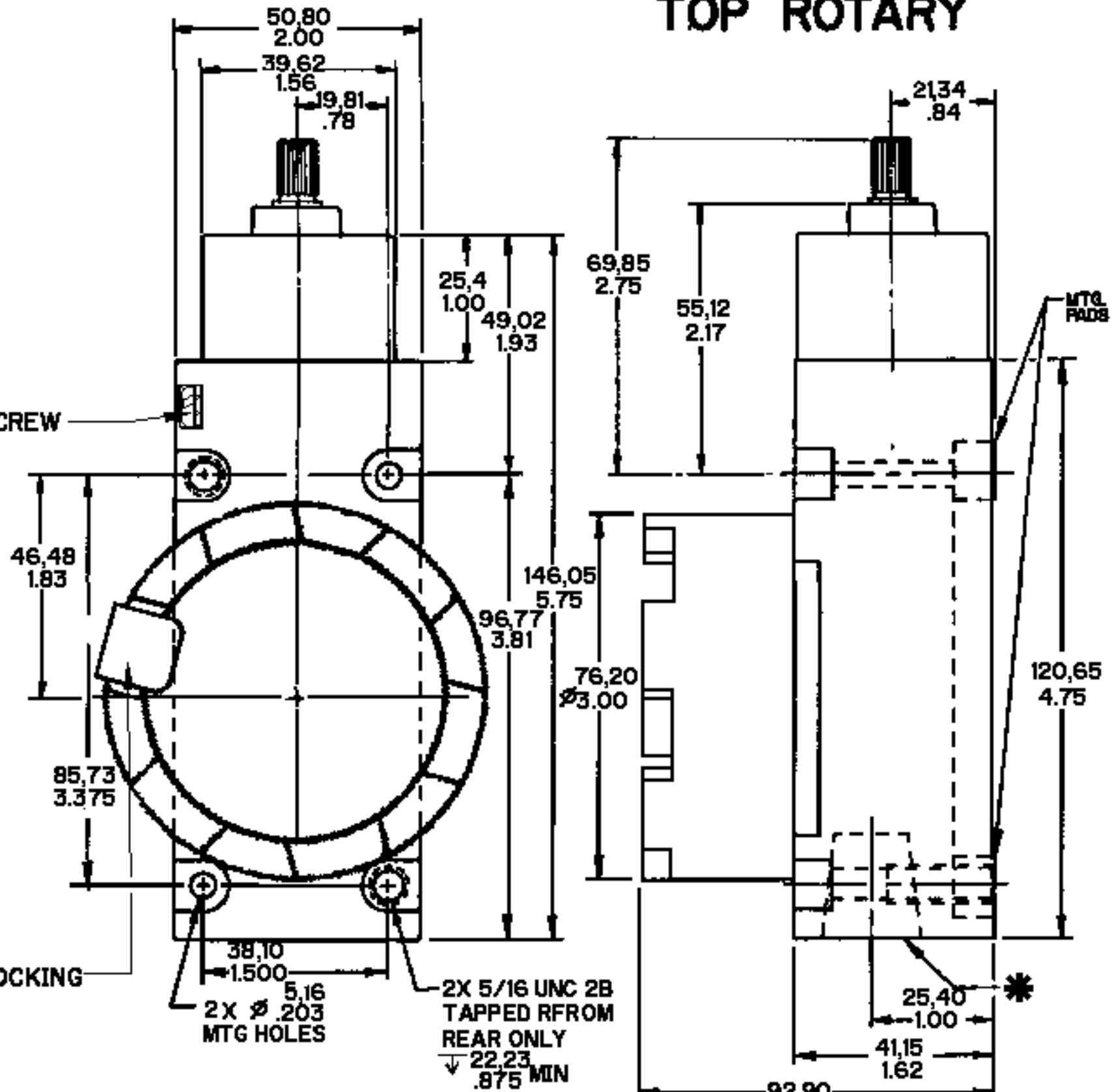
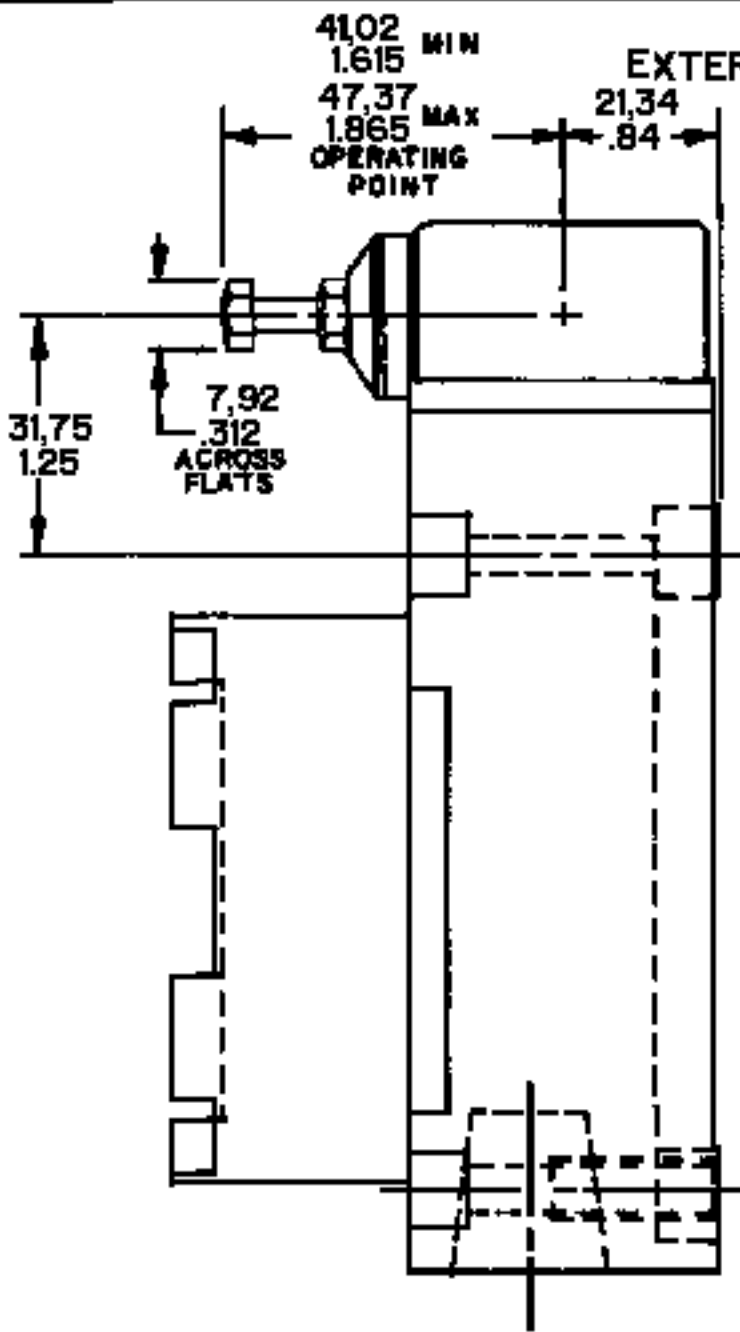


OPERATING CHARACTERISTICS	BXA MOMENTARY	BXR MOMENTARY LOW TORQUE	BXN MAINTAINED	BXP MOMENTARY LOW PRETRAVEL AND DIFF. TRAVEL	BXH MOMENTARY LOW PRETRAVEL AND LOW TORQUE	BXL SEQUENCE DOUBLE POLE ONLY	BXM CENTRAL NEUTRAL DOUBLE POLE ONLY
PRETRAVEL (MAX)	15°	15°	65°	9°	9°	1st Step 15° 2nd Step 10° Additional	18°
OVERTRAVEL (MIN)	60°	60°	20°	68°	68°	48°	57°
DIFFERENTIAL TRAVEL (MAX)	Single Pole 5° Double Pole 7°	Single Pole 3° Double Pole 7°	40°	Single Pole 3° Double Pole 4°	Single Pole 3° Double Pole 4°	5°	10°
TOTAL TRAVEL (REF)	75°	75°	90°	75°	75°	75°	75°
OPERATING TORQUE (MAX)	.454 N/M 4 IN. LBS	.193 N/M 1.7 IN. LBS	.454 N/M 4 IN. LBS	.454 N/M 4 IN. LBS	.193 N/M 1.7 IN. LBS	.454 N/M 4 IN. LBS	.454 N/M 4 IN. LBS
FULL TRAVEL TORQUE (MAX)	.454 N/M 4 IN. LBS	.193 N/M 1.7 IN. LBS	—	.454 N/M 4 IN. LBS	.193 N/M 1.7 IN. LBS	.454 N/M 4 IN. LBS	.454 N/M 4 IN. LBS

BX SERIES CHART 1

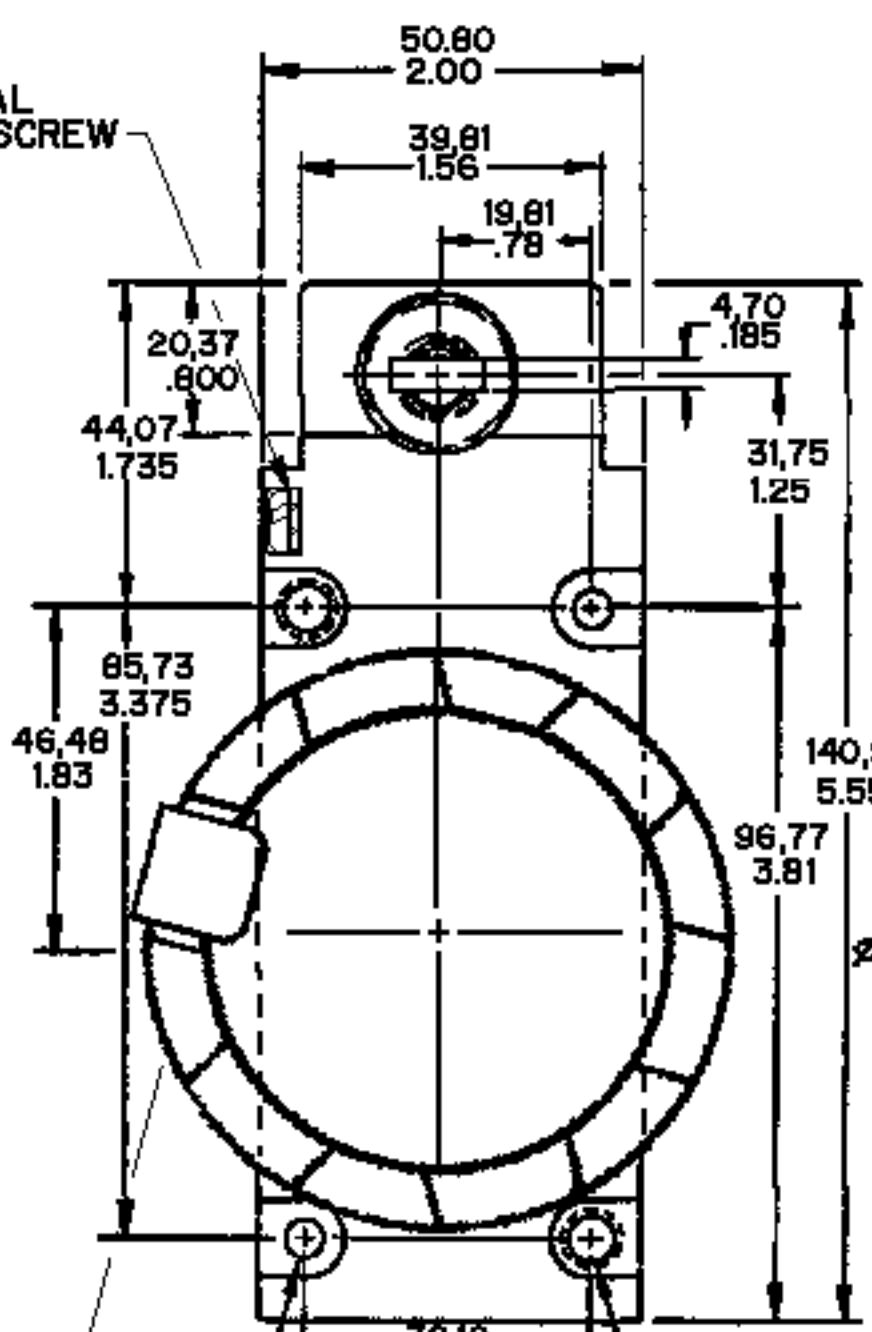
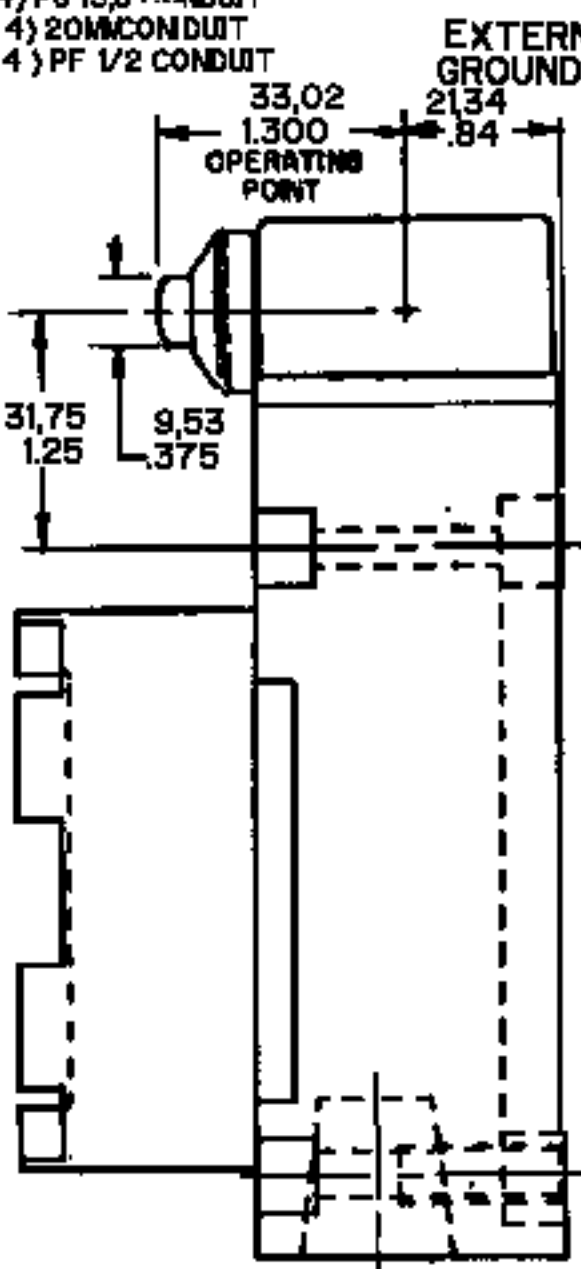
	SINGLE POLE	DOUBLE POLE
PRETRAVEL MAX	35°	35°
OVERTRAVEL MIN	100°	100°
DIFFERENTIAL TRAVEL MAX	8°	12°
OPERATING TORQUE MAX	283 N/M 2.5 DY. LBS.	283 N/M 2.5 DY. LBS.
TOTAL TRAVEL (REF)	135°	135°

TOP ROTARY

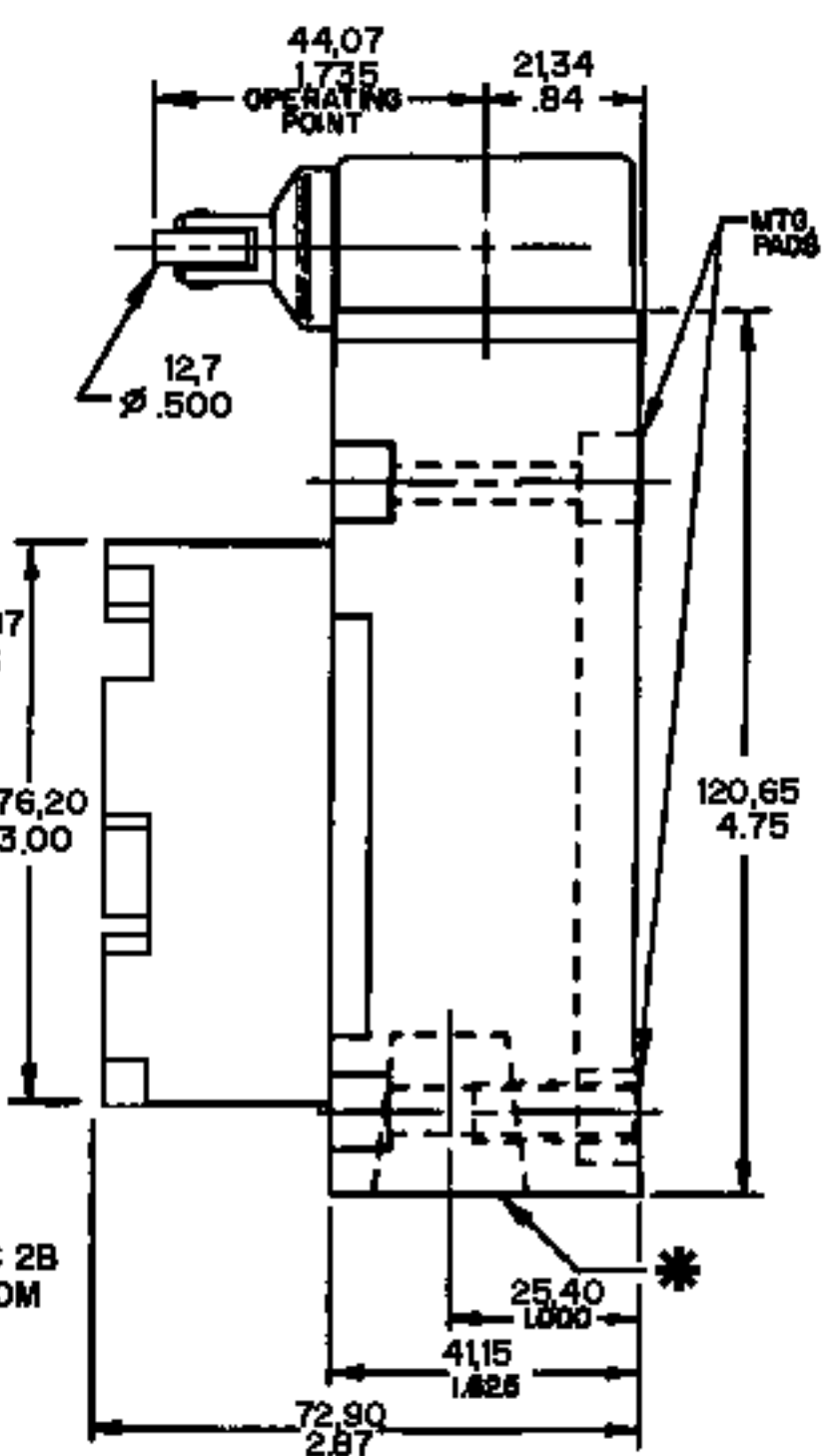


- * TYPE BXB (3&7) 1/2 - 14NPT CONDUIT
- * TYPE BXB (1&4) 3/4 - 14NPT CONDUIT
- * TYPE BX3B (1 THRU 4) PG 13.5 CONDUIT
- * TYPE BX4B (1 THRU 4) 20MM CONDUIT
- * TYPE BX6B (1 THRU 4) PF 1/2 CONDUIT

- * TYPE BXW (3&7) 1/2 - 14NPT CONDUIT
- * TYPE BXW (1&4) 3/4 - 14NPT CONDUIT
- * TYPE BX3W (1 THRU 4) PG 13.5 CONDUIT
- * TYPE BX4W (1 THRU 4) 20MM CONDUIT
- * TYPE BX6W (1 THRU 4) PF 1/2 CONDUIT



- * TYPE BXE (3&7) 1/2 - 14NPT CONDUIT
- * TYPE BXE (1&4) 3/4 - 14NPT CONDUIT
- * TYPE BX3E (1 THRU 4) PG 13.5 CONDUIT
- * TYPE BX4E (1 THRU 4) 20MM CONDUIT
- * TYPE BX6E (1 THRU 4) PF 1/2 CONDUIT



- * TYPE BXF (3&7) 1/2 - 14NPT CONDUIT
- * TYPE BXF (1&4) 3/4 - 14NPT CONDUIT
- * TYPE BX3F (1 THRU 4) PG 13.5 CONDUIT
- * TYPE BX4F (1 THRU 4) 20MM CONDUIT
- * TYPE BX6F (1 THRU 4) PF 1/2 CONDUIT

ANSI Y14.6M-1982 APPLIES
 MASTER REDUCED

MICRO SWITCH
 a Honeywell Division
 FED. REG. CODE 01929

SWITCH - ENCLOSED

CATALOG LISTING
 BX SERIES
 CHART 1

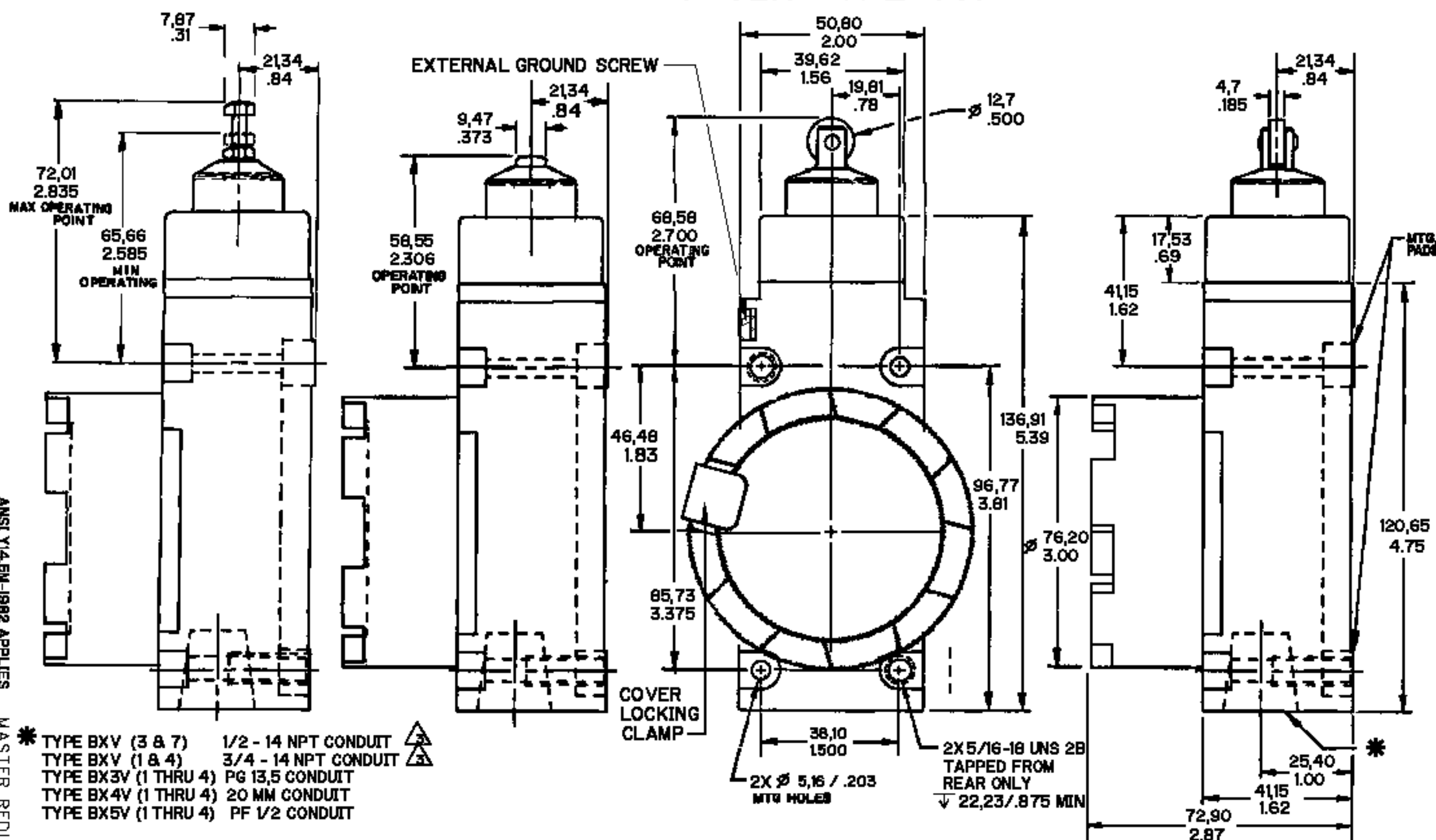
THIRD ANGLE PROJECTION

SCALE	FULL
UNLESS OTHERWISE SPECIFIED TOLERANCES ARE	
ONE PLACE	±.030
TWO PLACES	±.015
THREE PLACES	±.005
ANGLES	±

DO NOT SCALE PRINT

BX SERIES CHART 1

PLUNGER TYPE TOP

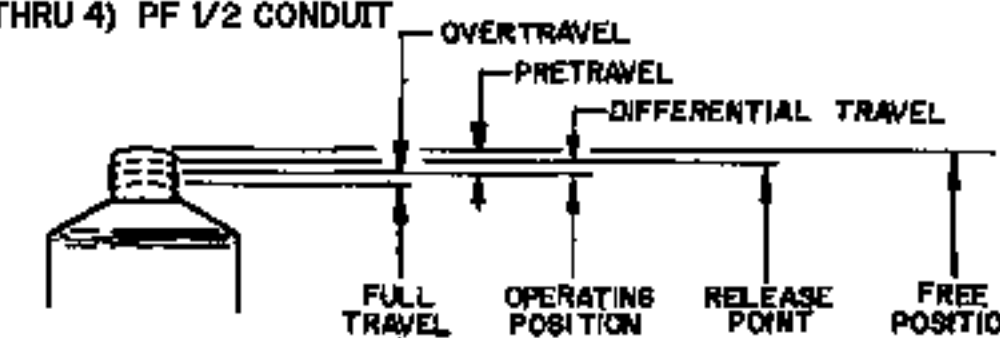


ANSI Y14.5M-1982 APPLIES MASTER REDUCED

- * TYPE BXV (3 & 7) 1/2 - 14 NPT CONDUIT
- * TYPE BXV (1 & 4) 3/4 - 14 NPT CONDUIT
- * TYPE BX3V (1 THRU 4) PG 13.5 CONDUIT
- * TYPE BX4V (1 THRU 4) 20 MM CONDUIT
- * TYPE BX5V (1 THRU 4) PF 1/2 CONDUIT

- * TYPE BX (C or G) (3 & 7) 1/2 - 14 NPT CONDUIT
- * TYPE BX (C or G) (1 & 4) 3/4 - 14 NPT CONDUIT
- * TYPE BX3 (C or G) (1 THRU 4) PG 13.5 CONDUIT
- * TYPE BX4 (C or G) (1 THRU 4) 20MM CONDUIT
- * TYPE BX5 (C OR G) (1 THRU 4) PF 1/2 CONDUIT

- * TYPE BXD (3 & 7) 1/2 - 14 NPT CONDUIT
- * TYPE BXD (1 & 4) 3/4 - 14 NPT CONDUIT
- * TYPE BX3D (1 THRU 4) PG 13.5 CONDUIT
- * TYPE BX4D (1 THRU 4) 20MM CONDUIT
- * TYPE BX5D (1 THRU 4) PF 1/2 CONDUIT



OPERATING POINT GIVEN IN RELATION TO TOP MOUNTING HOLES

TOP PLUNGER TYPES

CHARACTERISTICS	BXC PLUNGER		BXD ROLLER PLUNGER		BXV ADJUSTABLE PLUNGER		SEQUENCE BASIC		
	SINGLE POLE	DOUBLE POLE	SINGLE POLE	DOUBLE POLE	SINGLE POLE	DOUBLE POLE	BXC	BXD	BXV
PRETRAVEL (MAX)	179 / .070		179 / .070		179 / .070		1ST STEP 179 / .070		
DIFFERENTIAL TRAVEL (MAX)	.38 / .015	.51 / .020	.38 / .015	.51 / .020			2ND STEP .41 / .015 MIN ADD'L		
OVERTRAVEL (MIN)	4.83 / .190		4.83 / .190		4.83 / .190		4.32 / .170		
OPERATING FORCE (MAX)	17.86 N / 4 LBS		17.86 N / 4 LBS		17.86 N / 4 LBS		17.86 N / 4 LBS		
OPERATING POINT	58,55 ± .76 / 2.305 ± .030		68,58 ± 1.02 / 2.700 ± .040		65,66 / 2.585 MIN 72,01 / 2.835 MAX		46,10 ± .76 / 1.815 ± .030 53,21 / 2.095 MIN 59,56 / 2.345 MAX		58,55 ± .76 / 2.305 ± .030
FULL OVERTRAVEL FORCE (MAX)	31,25 N / 7 LBS		31,25 N / 7 LBS		31,25 N / 7 LBS		31,25 N / 7 LBS		31,25 N / 7 LBS

OPERATING POINT GIVEN IN RELATION TO CENTER OF HEAD

SIDE PLUNGER TYPES

CHARACTERISTICS	BXE PLUNGER	BXF ROLLER PLUNGER	BXW ADJUSTABLE PLUNGER	SEQUENCE BASIC		
				BXE	BXF	BXW
PRETRAVEL (MAX)	2,54 / .100	2,54 / .100	2,54 / .100	1ST STEP 2,54 / .100		
DIFFERENTIAL TRAVEL (MAX)	.14 / .045	.14 / .045	.14 / .045	2ND STEP .51 / .020 MIN ADD'L		
OVERTRAVEL (MIN)	4,83 / .190	4,83 / .190	4,83 / .190	.64 / .025 EACH STEP		
OPERATING FORCE (MAX)	26,79 N / 6 LBS	26,79 N / 6 LBS	26,79 N / 6 LBS	4,32 / .170		
OPERATING POINT	33,02 ± .76 / 1.300 ± .030	44,07 ± 1.02 / 1.735 ± .040	41,02 / 1.615 MIN 47,37 / 1.685 MAX	26,79 N / 6 LBS		
FULL OVERTRAVEL FORCE (MAX)	26,79 N / 6 LBS	26,79 N / 6 LBS	26,79 N / 6 LBS	33,27 ± .76 / 1.310 ± .030	44,32 ± 1.02 / 1.745 ± .040	41,28 / 1.625 MIN 47,63 / 1.875 MAX

- NOTES
- 1 - CONSTRUCTED IN ACCORDANCE WITH EN-50014 / EN-50018 GROUP II C
 - 2 - VOLUME: 27 CU. IN. (442 CU. CM.) APPROX - TOP AND SIDE PLUNGER
 - 3 - EXPLOSION PROOF - UNDERWRITERS LAB INC. LISTED FOR HAZARDOUS LOCATIONS CLASS I, GROUPS B, C, AND D; CLASS II GROUPS E, F, AND G
 - 4 - SIRA CERTIFIED PRODUCTS. NO MODIFICATIONS PERMITTED WITHOUT REFERENCE TO SIRA
 - 5 - CONFORMS TO EExd IIC T6
SIRA 00ATEX1037X
CAT II 2 GD

MICRO SWITCH
 a Honeywell Division
 FEDERAL REGISTERED PATENT OFFICE
 SWITCH - ENCLOSED
 CATALOG LISTING
 BX SERIES
 CHART 1

M BX SERIES CHART 1

