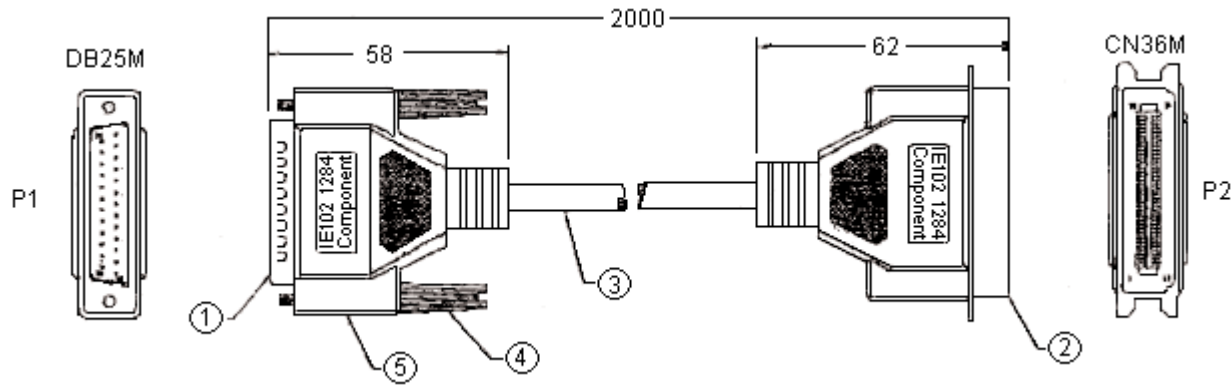


PART NO.

IE102

REVISIONS

ECN #	REV	DESCRIPTION	DRAWN	DATE	CHECKD	DATE	APPRVD	DATE
-	A	RELEASED	Kiran	26/04/09	Suresh	26/04/09	Farnell	11/05/09



Dimensions : Millimetres

DB25M	CN36M	DB25M	CN36M
1	1	10	10
18	19	24	28
2	2	11	11
19	20	23	29
3	3	12	12
19	21	24	28
4	4	13	13
20	22	24	28
5	5	14	14
20	23	25	30
6	6	15	32
21	24	23	29
7	7	16	31
21	25	25	30
8	8	17	36
22	26	25	30
9	9	Shield	Shield
22	27		

This data sheet and its contents (the "Information") belong to the Premier Farnell Group (the "Group") or are licensed to it. No licence is granted for the use of it other than for information purposes in connection with the products to which it relates. No licence of any intellectual property rights is granted. The Information is subject to change without notice and replaces all data sheets previously supplied. The Information supplied is believed to be accurate but the Group assumes no responsibility for its accuracy or completeness, any error in or omission from it or for any use made of it. Users of this data sheet should check for themselves the Information and the suitability of the products for their purpose and not make any assumptions based on information included or omitted. Liability for loss or damage resulting from any reliance on the Information or use of it (including liability resulting from negligence or where the Group was aware of the possibility of such loss or damage arising) is excluded. This will not operate to limit or restrict the Group's liability for death or personal injury resulting from its negligence. SPC pro-SIGNAL is the registered trademark of the Group. © Premier Farnell plc 2009.

TOLERANCES:
UNLESS OTHERWISE SPECIFIED, DIMENSIONS ARE FOR REFERENCE PURPOSES ONLY.

DRAWN BY:	DATE:
Kiran	26/04/09
CHECKED BY:	DATE:
Suresh	26/04/09
APPROVED BY:	DATE:
Farnell	11/05/09

DRAWING TITLE:			
Bi-tronic Parallel Lead - 1.8M			
SIZE	DWG NO.	ELECTRONIC FILE	REV
A	M10002146	37631_DWG	A
SCALE: NTS		U.O.M.: mm	SHEET: 1 OF 2



PART NO.

IE102

REVISIONS

ECN #	REV	DESCRIPTION	DRAWN	DATE	CHECKD	DATE	APPRVD	DATE
-	A	RELEASED	Kiran	26/04/09	Suresh	26/04/09	Farnell	11/05/09

Specifications

Item	Description	Part Number
1	DB25 Male, Gold Flash on Contacts, Blue Insulator	IE102
2	CN36 Male, Gold Flash on Contacts, Blue Insulator	
3	18 Twisted Pairs, Double Shielding with Drain Wire, Jacket Beige	
4	Moulded Thumbscrew Beige #4 to 40, Length 46.5mm	
5	Moulded PVC Beige	

<http://www.farnell.com>

<http://www.newark.com>

<http://www.cpc.co.uk>

This data sheet and its contents (the "Information") belong to the Premier Farnell Group (the "Group") or are licensed to it. No licence is granted for the use of it other than for information purposes in connection with the products to which it relates. No licence of any intellectual property rights is granted. The Information is subject to change without notice and replaces all data sheets previously supplied. The Information supplied is believed to be accurate but the Group assumes no responsibility for its accuracy or completeness, any error in or omission from it or for any use made of it. Users of this data sheet should check for themselves the Information and the suitability of the products for their purpose and not make any assumptions based on information included or omitted. Liability for loss or damage resulting from any reliance on the Information or use of it (including liability resulting from negligence or where the Group was aware of the possibility of such loss or damage arising) is excluded. This will not operate to limit or restrict the Group's liability for death or personal injury resulting from its negligence. SPC pro-SIGNAL is the registered trademark of the Group. © Premier Farnell plc 2009.

**TOLERANCES:
UNLESS OTHERWISE
SPECIFIED,
DIMENSIONS ARE
FOR REFERENCE
PURPOSES ONLY.**

DRAWN BY:	DATE:
Kiran	26/04/09
CHECKED BY:	DATE:
Suresh	26/04/09
APPROVED BY:	DATE:
Farnell	11/05/09

DRAWING TITLE:			
Bi-tronic Parallel Lead - 1.8M			
SIZE	DWG NO.	ELECTRONIC FILE	REV
A	M10002146	37631_DWG	A
SCALE: NTS		U.O.M.: mm	SHEET: 2 OF 2