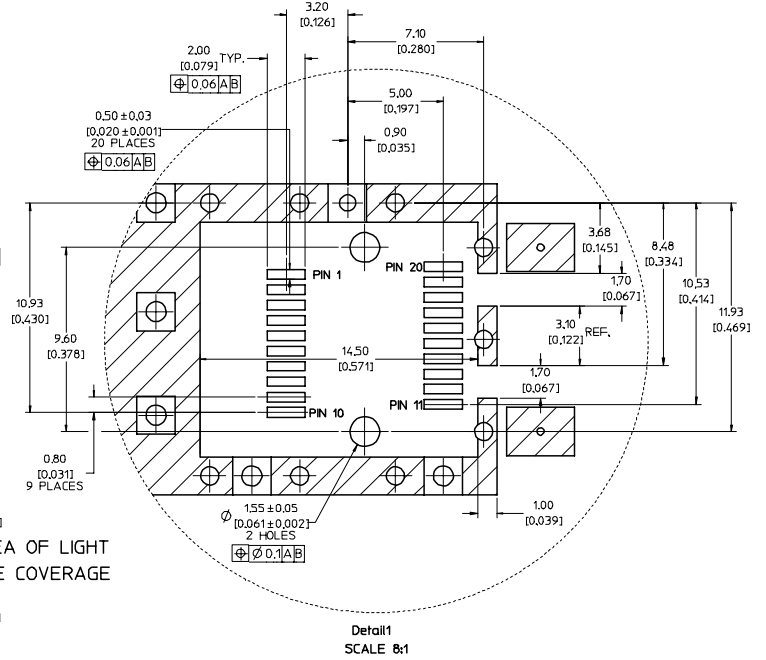
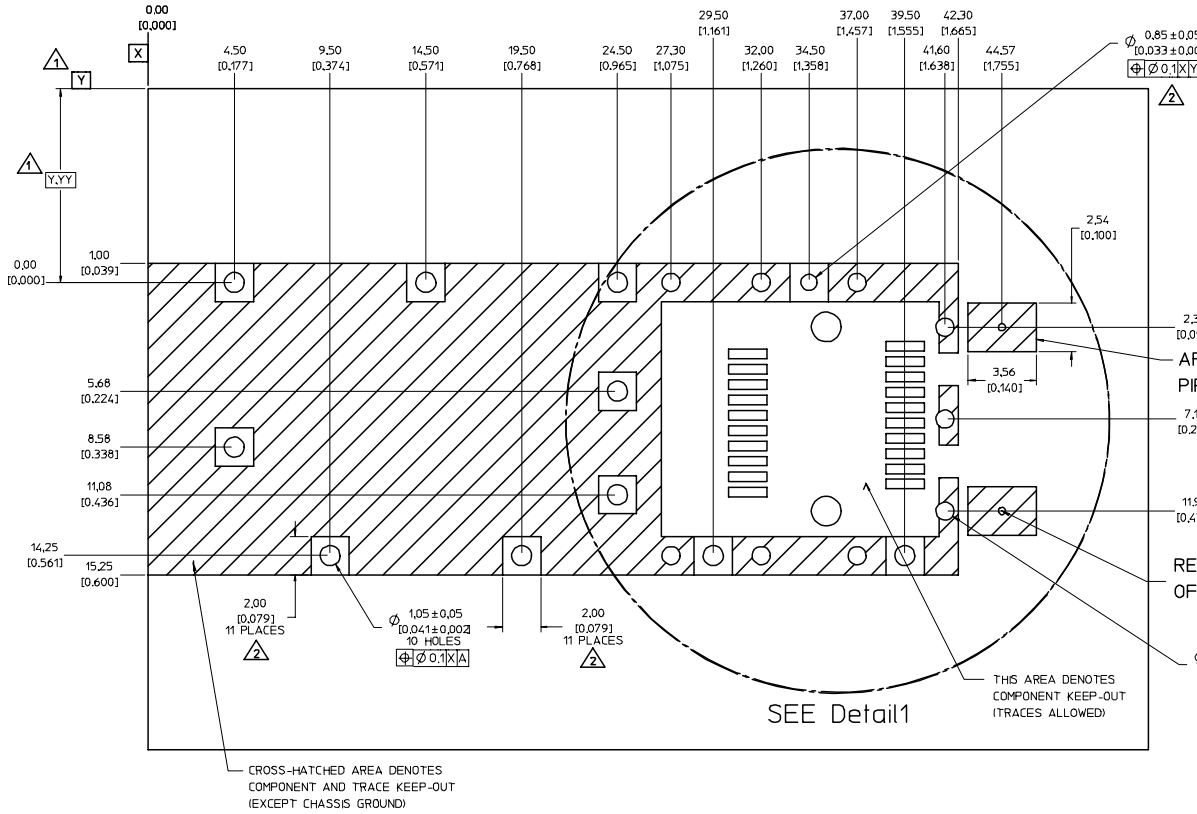




- 1 DATUM AND BASIC DIMENSIONS ESTABLISHED BY CUSTOMER.
- 2 PADS AND VIAS ARE CHASSIS GROUND.
- 3 HOLE LAYOUT SHOWN IS FOR SINGLE SIDED MOUNTING ONLY. BELLY TO BELLY MOUNTING REQUIRES LAYOUT MIRRORED ON OPPOSITE SIDE OF BOARD. CAGE DESIGN AND TRANSCIEVER PROFILE SHOULD BE CONSIDERED IN DETERMINING MINIMUM BOARD THICKNESS IN BELLY TO BELLY MOUNTING.
4. CONNECTOR PAD LAYOUT PER SFP MSA, WILL ACCOMMODATE MOLEX CONNECTOR SERIES 74441 OR EQUIVALENT.



AREA OF LIGHT PIPE COVERAGE

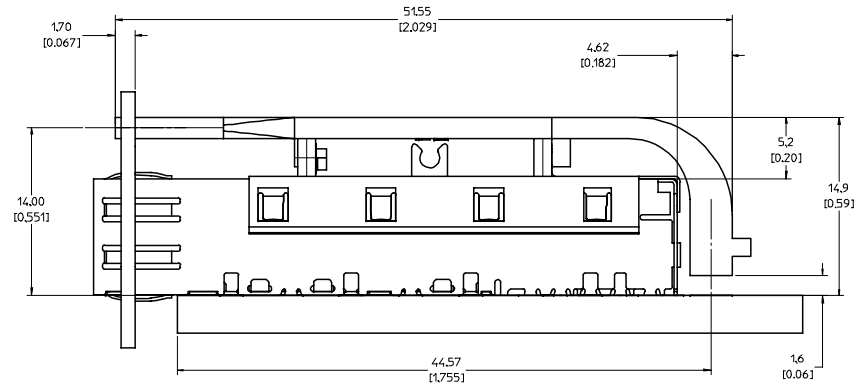
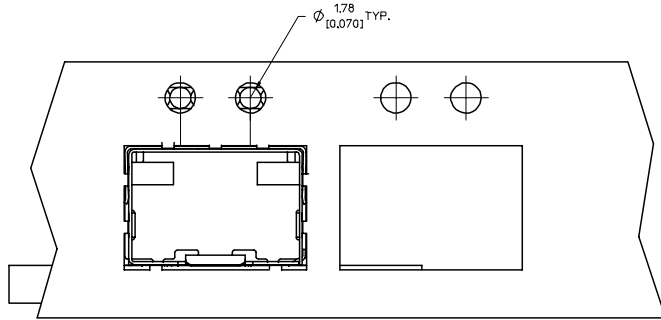
RECOMMENDED CENTRIX OF THE LED (X2)

SEE Detail1

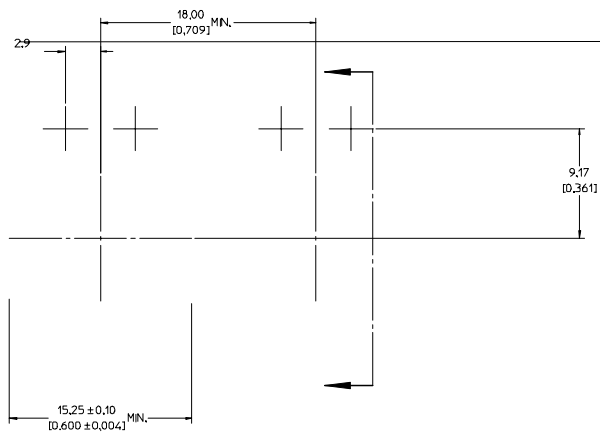
THIS AREA DENOTES COMPONENT KEEP-OUT (TRACES ALLOWED)

CROSS-HATCHED AREA DENOTES COMPONENT AND TRACE KEEP-OUT (EXCEPT CHASSIS GROUND)

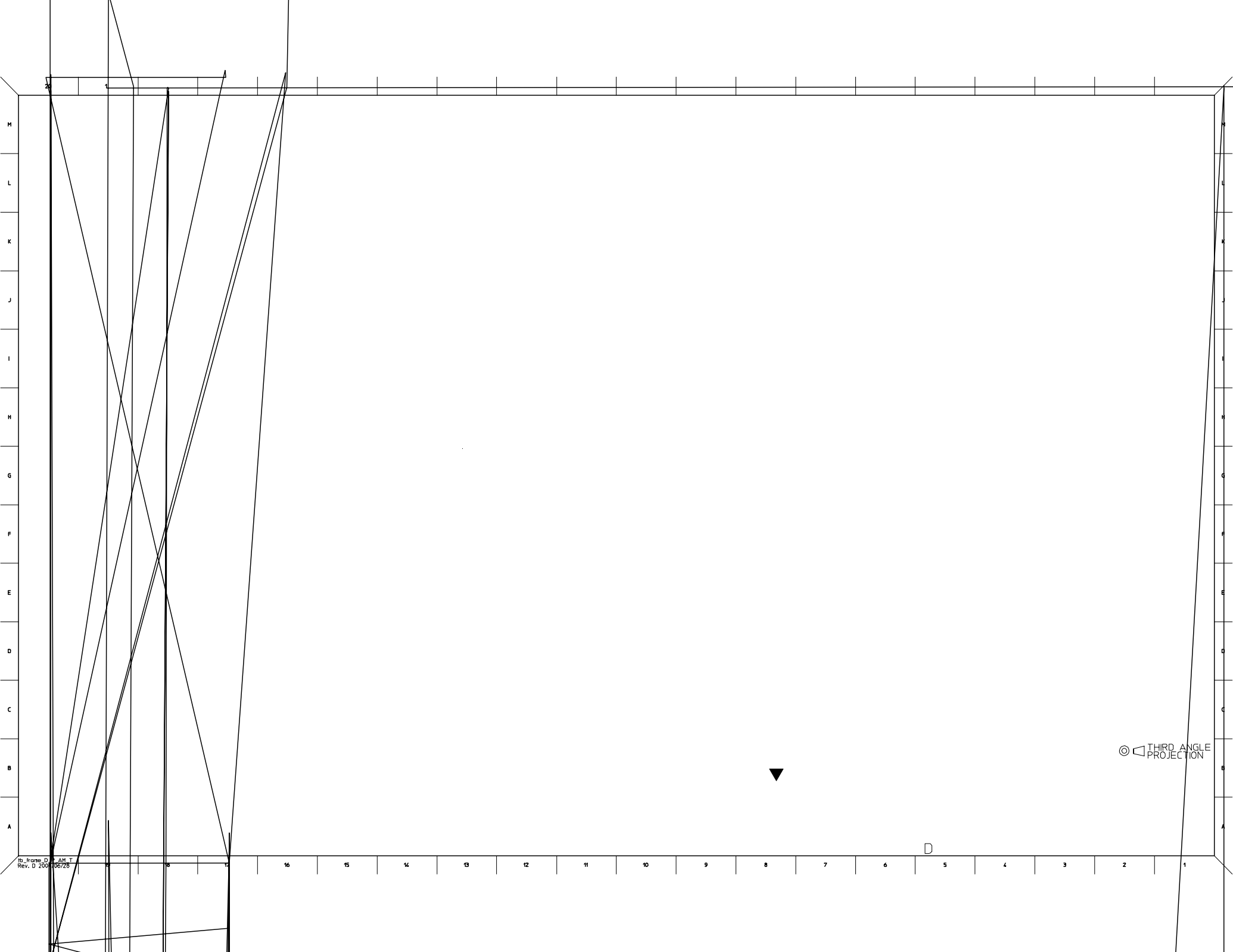
<b>ENTER DESCRIPTION</b> EC NO: UST2006-0013 MDRWANKS/MONSON 2005/07/25 CHKD:BRUSSELL 2005/07/25 APPR:BRUSSELL 2005/07/28	<b>QUALITY SYMBOLS</b> ▽=0 ▽=0	<b>GENERAL TOLERANCES (UNLESS SPECIFIED)</b> <table border="1"> <tr> <th></th> <th>mm</th> <th>INCH</th> </tr> <tr> <td>4 PLACES ±</td> <td>---</td> <td>±---</td> </tr> <tr> <td>3 PLACES ±</td> <td>---</td> <td>±.005</td> </tr> <tr> <td>2 PLACES ±</td> <td>0.13</td> <td>±.01</td> </tr> <tr> <td>1 PLACE ±</td> <td>0.25</td> <td>±---</td> </tr> <tr> <td>ANGULAR</td> <td colspan="2">± 1 °</td> </tr> </table>		mm	INCH	4 PLACES ±	---	±---	3 PLACES ±	---	±.005	2 PLACES ±	0.13	±.01	1 PLACE ±	0.25	±---	ANGULAR	± 1 °		<b>DIMENSION STYLE</b> MM/IN	<b>SCALE</b> 8:1	<b>DESIGN UNITS</b> METRIC	<b>THIRD ANGLE PROJECTION</b>
		mm	INCH																					
	4 PLACES ±	---	±---																					
	3 PLACES ±	---	±.005																					
2 PLACES ±	0.13	±.01																						
1 PLACE ±	0.25	±---																						
ANGULAR	± 1 °																							
<b>DESCRIPTION</b> 1X1 SFP LIGHT PIPE ASSEMBLY, BACK-TOP	<b>DRAWN BY</b> KS IMONSO	<b>DATE</b> 2004/07/08	<b>CHECKED BY</b> BRUSSELL	<b>DATE</b> 2004/07/08	<b>APPROVED BY</b> BRUSSELL	<b>DATE</b> 2004/07/08																		
<b>DRAFT WHERE APPLICABLE MUST REMAIN WITHIN DIMENSIONS</b>	<b>MATERIAL NO.</b> 747260001	<b>DOCUMENT NO.</b> SD-74726-001	<b>MOLEX INCORPORATED</b>																					
<b>SIZE</b> D	<b>THIS DRAWING CONTAINS INFORMATION THAT IS PROPRIETARY TO MOLEX INCORPORATED AND SHOULD NOT BE USED WITHOUT WRITTEN PERMISSION</b>					<b>SHEET NO.</b> 2 OF 4																		



NOTE: MAX LED HEIGHT OF 1.40/[0.055]



<b>ENTER DESCRIPTION</b> EC NO: UST2006-0013 TDRWNS:IMONSON 2005/07/25 CHKD:BRUSSELL 2005/07/25 APPR:BRUSSELL 2005/07/28	<b>QUALITY SYMBOLS</b>    	<b>GENERAL TOLERANCES (UNLESS SPECIFIED)</b>		<b>DIMENSION STYLE</b> MM/IN		SCALE 5:1	DESIGN UNITS METRIC	THIRD ANGLE PROJECTION	
		4 PLACES ± --- ± --- 3 PLACES ± --- ± .005 2 PLACES ± 0.13 ± .01 1 PLACE ± 0.25 ± --- ANGULAR ± 1 °	mm INCH --- --- --- --- --- --- --- ---	DRAWN BY KS IMONSO	DATE 2004/07/08	TITLE 1X1 SFP LIGHT PIPE ASSEMBLY, BACK-TOP			
		DRAFT WHERE APPLICABLE MUST REMAIN WITHIN DIMENSIONS		CHECKED BY BRUSSELL	DATE 2004/07/08	APPROVED BY BRUSSELL		DATE 2004/07/08	MOLEX INCORPORATED
		MATERIAL NO. 747260001		DOCUMENT NO. SD-74726-001		SHEET NO. 3 OF 4			



M  
L  
K  
J  
I  
H  
G  
F  
E  
D  
C  
B  
A

16 15 14 13 12 11 10 9 8 7 6 5 4 3 2 1

THIRD ANGLE PROJECTION

Rev. D 2001/05/28