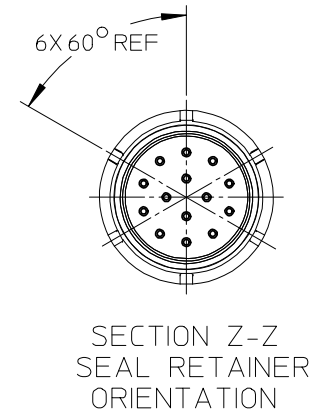
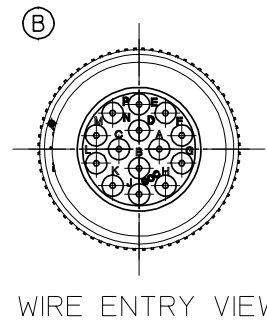
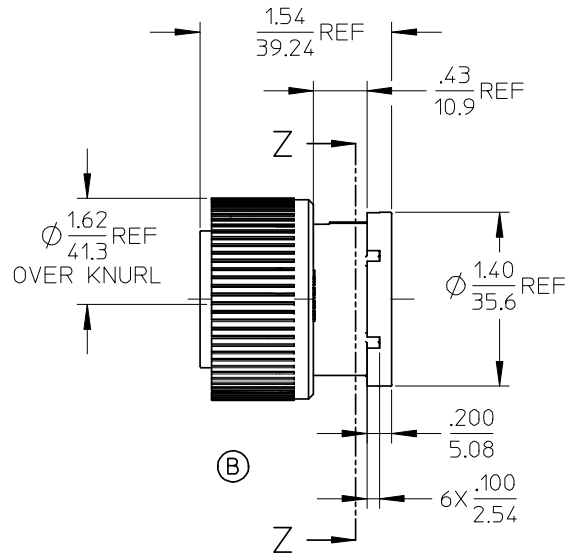
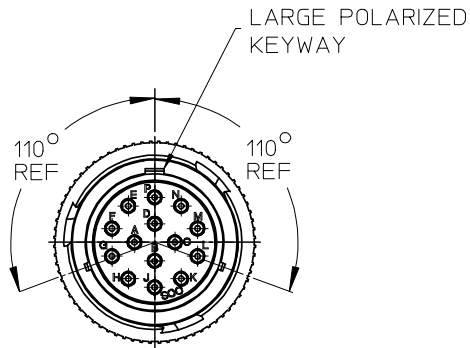
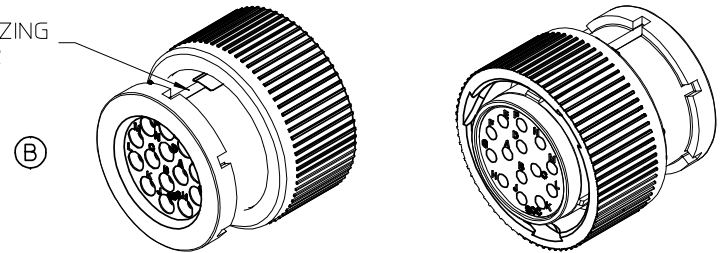


10	9	8	7	6	5	4	3	2	
MATERIAL NUMBER	WIRE AWG	INSUL DIA O.D.							
845070012	18-14	.053(1.35) - .120(3.05)							

(B)

LARGE POLARIZING KEY INDICATOR



NOTES:

1. MATERIALS: HOUSINGS: POLYESTER (PBT), GLASS FILLED, UL94V-0 & POLYETHERIMIDE (PEI), UNFILLED, UL94V-0. COLOR, UNLESS OTHERWISE SPECIFIED: BLACK  
SEALS: SILICONE RUBBER  
COLOR: RUST RED
2. PRODUCT SPECIFICATION: PS-84501-001.
3. MATES WITH: SERIES 84502 RECEPTACLE CONNECTOR.
4. USE CONNECTOR WITH FEMALE CRIMP TERMINAL SERIES 84590.
5. ALL COMPONENTS ARE ROHS COMPLIANT.

UPDATE NOTES, TABLE & VIEWS	
EC NO: WNA2008-0139	2008/02/27
DRWN:WLEUNG	2008/04/21
CHKD:RDEROSS	2008/04/24
APPR:RDEROSS	
REV	DESCRIPTION
B	

QUALITY SYMBOLS	▽=0
	▽=0

GENERAL TOLERANCES (UNLESS SPECIFIED)		
	mm	INCH
4 PLACES	± .15	± .005
3 PLACES	± .10	± .003
2 PLACES	± 0.38	± .015
1 PLACE	± .25	± .010
ANGULAR ± .005°		
DRAFT WHERE APPLICABLE MUST REMAIN WITHIN DIMENSIONS		

DIMENSION STYLE		SCALE	
IN/MM		1:1	
DRAWN BY	DATE	TITLE	
DMYRICK	2006/6/26	PLUG CONNECTOR ASSEMBLY, 18-14 POS SOCKET TERMINALS	
CHECKED BY	DATE	MATERIAL NO.	
JPAWLICKI	2006/6/26	SEE CHART	
APPROVED BY	DATE	DOCUMENT NO.	
JPAWLICKI	2006/6/26	SD-84507-002	

DESIGN UNITS	THIRD ANGLE PROJECTION
INCH	
MOLEX INCORPORATED	
SHEET NO.	1 OF 1