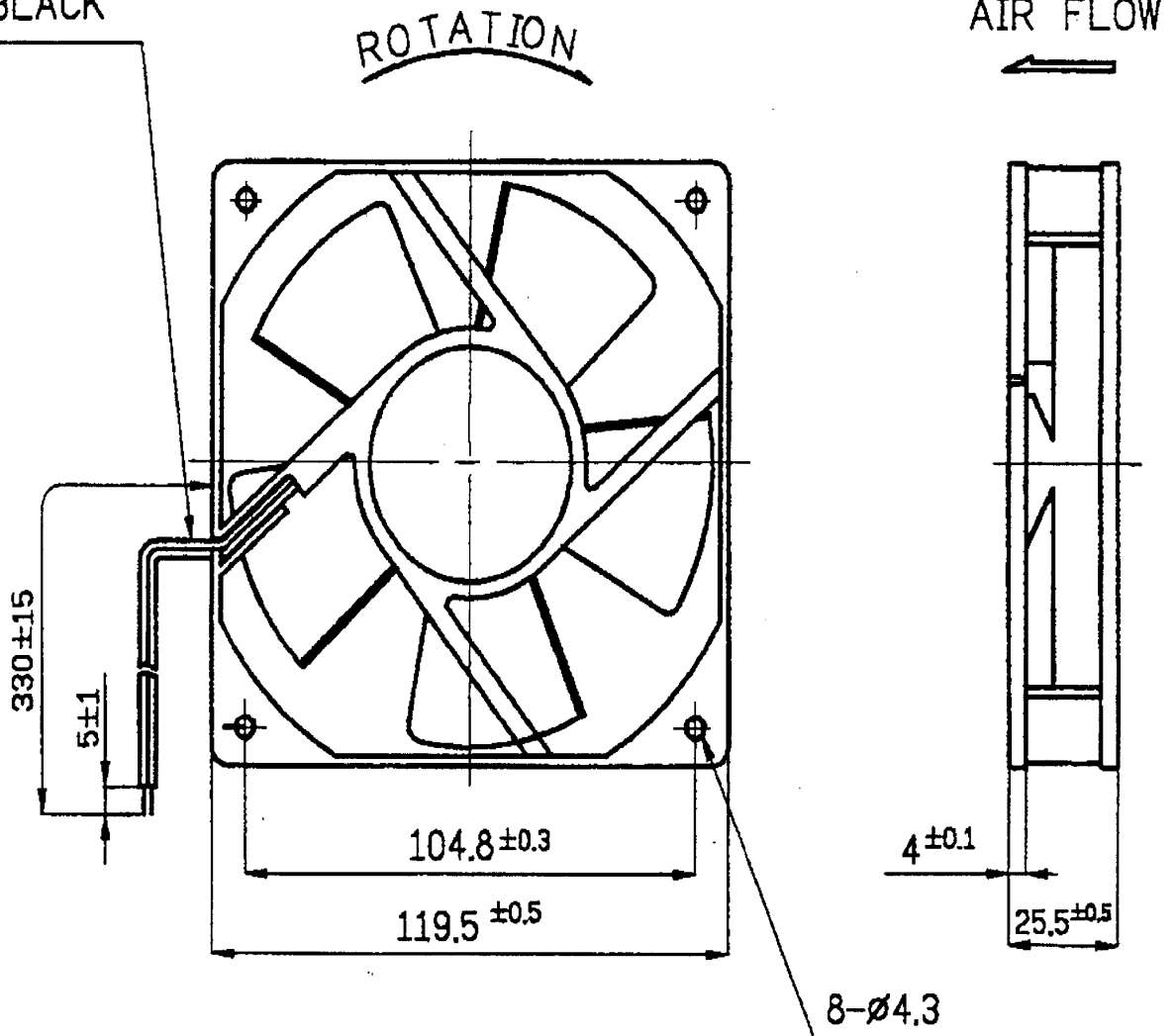


## MATERIAL

2-1. Frame	:	Thermoplastic PBT of UL 94V-0
2-2. Impeller	:	Thermoplastic PBT of UL 94V-0
2-3. Bobbin	:	Thermoplastic PBT of UL 94V-0
2-4. Lead Wire	:	UL1007,24AWG,+RED;-BLACK

## DIMENSIONS

UL1007 #24AWG  
+:RED,-:BLACK



1. Air Flow Direction: Label side.

2. The Best Mounting Direction: In any orientation.