

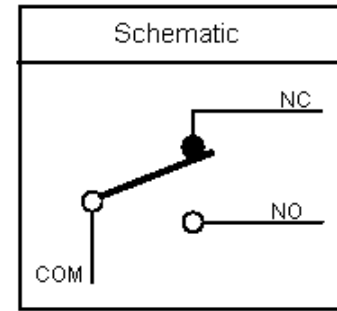
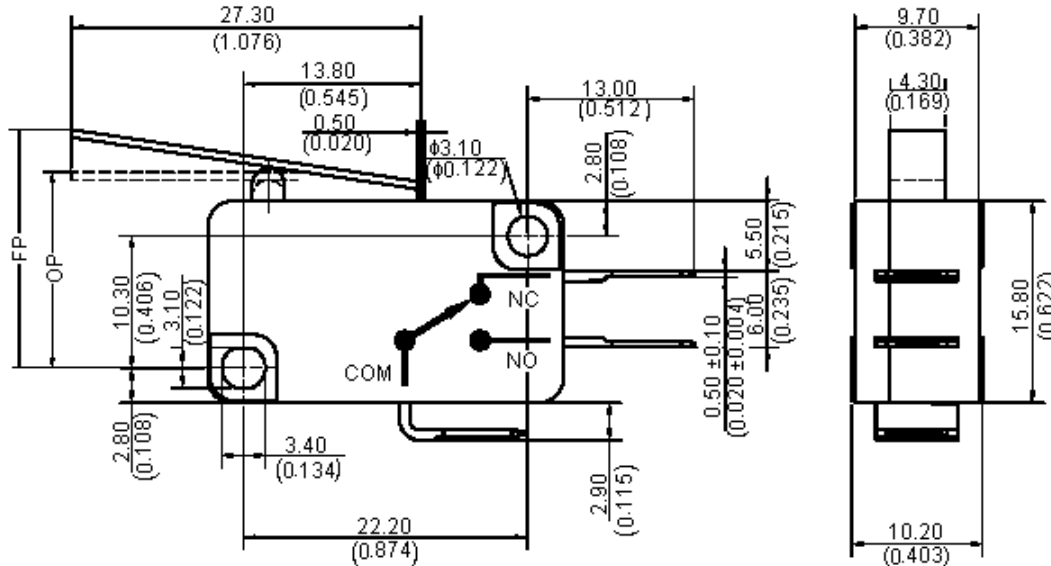
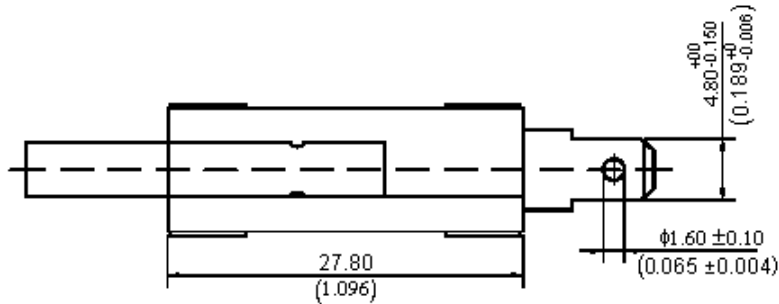


PART NO.

M141T02-AC0303D

REVISIONS

ECN #	REV	DESCRIPTION	DRAWN	DATE	CHECKD	DATE	APPRVD	DATE
-	A	RELEASED	Naveen	29/8/09	Jagan	29/8/09	G. C	17/9/09



Dimensions: Millimetres

**Note:** Tolerances unless otherwise specified: ±0.016/0.40 inches/mm

This data sheet and its contents (the "Information") belong to the Premier Farnell Group (the "Group") or are licensed to it. No licence is granted for the use of it other than for information purposes in connection with the products to which it relates. No licence of any intellectual property rights is granted. The Information is subject to change without notice and replaces all data sheets previously supplied. The Information supplied is believed to be accurate but the Group assumes no responsibility for its accuracy or completeness, any error in or omission from it or for any use made of it. Users of this data sheet should check for themselves the Information and the suitability of the products for their purpose and not make any assumptions based on information included or omitted. Liability for loss or damage resulting from any reliance on the Information or use of it (including liability resulting from negligence or where the Group was aware of the possibility of such loss or damage arising) is excluded. This will not operate to limit or restrict the Group's liability for death or personal injury resulting from its negligence. SPC MULTICOMP is the registered trademark of the Group. © Premier Farnell plc 2008.

**TOLERANCES:**  
**UNLESS OTHERWISE SPECIFIED, DIMENSIONS ARE FOR REFERENCE PURPOSES ONLY.**

<b>DRAWN BY:</b>	<b>DATE:</b>
Naveen	29/08/09
<b>CHECKED BY:</b>	<b>DATE:</b>
Jagan	29/08/09
<b>APPROVED BY:</b>	<b>DATE:</b>
G.Cook	17/09/09

**DRAWING TITLE:**

Microswitch, SPDT

<b>SIZE</b> A	<b>DWG NO.</b> M10002349	<b>ELECTRONIC FILE</b> M141T02-A#03-03D_DWG	<b>REV</b> A
<b>SCALE:</b> NTS		<b>U.O.M.:</b> mm	<b>SHEET:</b> 1 OF 2



PART NO.

M141T02-AC0303D

REVISIONS

ECN #	REV	DESCRIPTION	DRAWN	DATE	CHECKD	DATE	APPRVD	DATE
-	A	RELEASED	Naveen	29/8/09	Jagan	29/8/09	G. C	17/9/09

Specifications:

Rating : 10A, 125/250V ac (UL/CUL).  
 : 10(2)A, 125/250V ac (NEMKO/ENEC/CQC).  
 : 25T130 μ50E3.

Initial contact resistance : 500MΩ .

Insulation resistance : >100MΩ 500V dc.

Withstand voltage : 1000V ac for 1 minute.

Operating frequency : Mechanical 60 operations/minute.  
 : Electrical 6 to 12 operation/minute.

Ambient temperature : -25°C to +85°C.

Ambient humidity : ≤ 85%RH.

Mechanical life : 1,000,000 cycles.

Electrical life (at rate load) : 50,000 cycles.

Specification Table

Description	Operating force (gf)				OP (mm)	Maximum FP (mm)	Part number
	A	B	C	D			
Microswitch, SPDT, 10A, Lever	40	80	100	170	15.3 ±1.8	19.0	M141T02-AC0303D

<http://www.farnell.com>

<http://www.newark.com>

<http://www.cpc.co.uk>

This data sheet and its contents (the "Information") belong to the Premier Farnell Group (the "Group") or are licensed to it. No licence is granted for the use of it other than for information purposes in connection with the products to which it relates. No licence of any intellectual property rights is granted. The Information is subject to change without notice and replaces all data sheets previously supplied. The Information supplied is believed to be accurate but the Group assumes no responsibility for its accuracy or completeness, any error in or omission from it or for any use made of it. Users of this data sheet should check for themselves the Information and the suitability of the products for their purpose and not make any assumptions based on information included or omitted. Liability for loss or damage resulting from any reliance on the Information or use of it (including liability resulting from negligence or where the Group was aware of the possibility of such loss or damage arising) is excluded. This will not operate to limit or restrict the Group's liability for death or personal injury resulting from its negligence. SPC MULTICOMP is the registered trademark of the Group. © Premier Farnell plc 2008.

**TOLERANCES:  
UNLESS OTHERWISE SPECIFIED, DIMENSIONS ARE FOR REFERENCE PURPOSES ONLY.**

<b>DRAWN BY:</b>	<b>DATE:</b>
Naveen	29/08/09
<b>CHECKED BY:</b>	<b>DATE:</b>
Jagan	29/08/09
<b>APPROVED BY:</b>	<b>DATE:</b>
G.Cook	17/09/09

<b>DRAWING TITLE:</b>			
<b>Microswitch, SPDT</b>			
<b>SIZE</b>	<b>DWG NO.</b>	<b>ELECTRONIC FILE</b>	<b>REV</b>
A	M10002349	M141T02-A#03-03D_DWG	A
<b>SCALE: NTS</b>		<b>U.O.M.: mm</b>	<b>SHEET: 2 OF 2</b>