

PLEASE CHECK WWW.MOLEX.COM FOR LATEST PART INFORMATION

Part Number: [1050570001](#)

Status: **Active**

Description: Universal Serial Bus (USB) Shielded I/O Type A Receptacle, Vertical, 0.76µm (30µ") Gold (Au) Plating, Solder Tail Length 2.80mm (.110"), with 3 Beveled Metal Pins, Tray Package, Lead Free

Documents:

[Drawing \(PDF\)](#)

[Product Specification PS-105057-001 \(PDF\)](#)

[Related Catalog Page \(PDF\)](#)

General

Product Family	I/O Connectors
Series	105057
Application	Wire-to-Board
Component Type	Receptacle
Product Name	USB
Type	A

Physical

Circuits (Loaded)	4
Color - Resin	Black
Lock to Mating Part	Yes
Material - Plating Mating	Gold
Material - Plating Termination	Tin
Orientation	Vertical
PC Tail Length (in)	0.110 In
PC Tail Length (mm)	2.80 mm
PCB Locator	No
PCB Retention	Yes
PCB Thickness Recommended (in)	0.062 In
PCB Thickness Recommended (mm)	1.60 mm
Packaging Type	Tray
Panel Mount	No
Pitch - Mating Interface (in)	0.079 In
Pitch - Mating Interface (mm)	2.00 mm
Plating min: Mating (µin)	30
Plating min: Mating (µm)	0.76
Plating min: Termination (µin)	0.150
Plating min: Termination (µm)	3.80
Polarized to Mating Part	Yes
Surface Mount Compatible (SMC)	No
Temperature Range - Operating	-40°C to +85°C
Termination Interface: Style	Through Hole

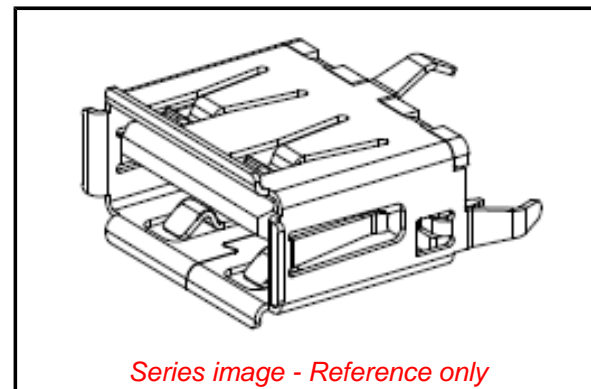
Electrical

Current - Maximum	1.5A
Shielded	Yes
Voltage - Maximum	30V

Material Info

Reference - Drawing Numbers

Product Specification	PS-105057-001
Sales Drawing	SD-105057-001



Series image - Reference only

EU RoHS

**ELV and RoHS
Compliant
REACH SVHC
Not Reviewed**

China RoHS



**Need more information on product
environmental compliance?**

Email productcompliance@molex.com
Please visit the [Contact Us](#) section for any
non-product compliance questions.

Search Parts in this Series

[105057 Series](#)

Mates With

[USB Type A Cable](#)

PLEASE CHECK WWW.MOLEX.COM FOR LATEST PART INFORMATION