



a time and place...  
for everything

# Wi-Sys Communications Inc.

## WS3938 Ultra Compact 2.4 GHz Embedded & Covert Mount Antenna

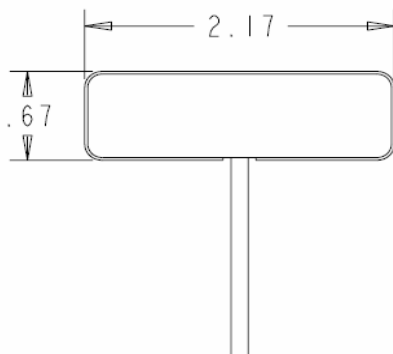
### Applications:

- ◆ 2.4 GHz Based Telematics
- ◆ M2M Wireless Applications using WiFi, Bluetooth, Zigbee and proprietary 2.4 GHz
- ◆ In-Vehicle Covert Installations
- ◆ Wireless Remote Monitoring



The WS3938 Ultra Compact 2.4 GHz Embedded & Covert Mount Antenna provides exceptional signal reception on the 2.4 GHz ISM band. The WS3938 is composed of an ultra compact semi-flexible coated PCB for embedded OEM applications and is also available with a Lexan® covered urethane foam package for dash and covert installations. The WS3938 antenna is ideal for cutting-edge TELEMATICS and M2M platforms.

### Dimensions: in inches



### Features:

- ◆ 2.4 GHz ISM Band reception
- ◆ Ultra-compact, semi-flexible PCB
- ◆ Coated PCB or packaged form factor
- ◆ Embedded, covert and dash mount
- ◆ Easy to install
- ◆ Wide range of connector types available
- ◆ Low price
- ◆ Customization available

### Ordering information:

WS3938-E: Coated PCB for embedded OEM applications

WS3938-C: Lexan® covered urethane foam packaging for covert and in-vehicle installations



a time and place...  
for everything

## Wi-Sys Communications Inc.

### WS3938 2.4 GHz Covert Antenna

*The WS3938 is a custom-designed high performance 2.4 GHz antenna element on an ultra-compact, flexible coated PCB, and also available with a foam package. With a wide range of connectors, the WS3938 is the perfect solution for in-vehicle Telematics and embedded M2M installations.*

### Other Wi-Sys Embedded & Covert Antennas

**WS1357/67:** Ultra Compact Embedded GPS antenna

**WS1857/56:** Compact Embedded GPS antenna

**WS3930:** Quad-band Cell + 3G GHz Covert antenna

**WS3940:** Active GPS + Quad Cellular Combined Glass mount antenna

**WS3947:** Active GPS + Quad Cell/3G/2.4 GHz Combined Covert/Dash mount antenna

**WS3950/WS3960:** High gain, low noise Embedded antenna

**WS3954/WS3964:** low current Embedded GPS antenna

**WS3957/WS3967:** low price filtered Embedded GPS antenna

**WS4051/WS4061:** High gain, low noise Connectorized Embedded antenna

**WS4055/WS4065:** low current Connectorized Embedded GPS antenna

**WS4057/WS4067:** low price filtered Connectorized Embedded GPS antenna

## Technical Specifications

### Environmental Specifications

- ◆ Operating Temp: -40c to +85c
- ◆ Humidity: 95% max (non condensing)

### Mechanical

- ◆ Dimensions:  
WS3938-E – 2.17" x 0.67" x 0.025"  
(55.1 mm x 17 mm x 0.64 mm)  
WS3938-C – 2.17" x 0.67" x 0.18"  
(55.1 mm x 17 mm x 4.5 mm)
- ◆ Material:  
WS3938-E – Black solder masked PCB  
WS3938-C – Black Lexan® covered urethane foam
- ◆ Cable: 1.5 DS-QEHV Shikoku Cable
- ◆ Cable length: 15 cm (standard),  
other lengths available.
- ◆ Cable loss: 1.0 dB/m typical
- ◆ Connector: MCX Right Angle (standard),  
other connectors available

### Electrical

- ◆ Frequencies: 2.4-2.5 GHz (2.4 GHz ISM band)
- ◆ Output Impedance: 50 Ohm nominal
- ◆ VSWR: < 2.0
- ◆ Gain: 2 dBi (approx.)



### Wi-Sys Communications Inc.

31B Richardson  
Ottawa, ON K2K 0A1 Canada  
Ph 613.254.7386  
Fax 613.254.7388  
sales@wi-sys.com  
[www.wi-sys.com](http://www.wi-sys.com)