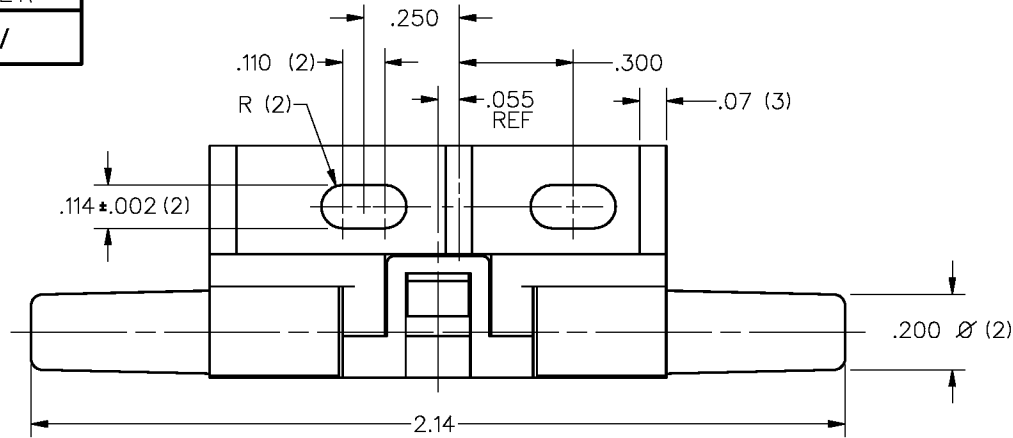


HONEYWELL
PART NUMBER

AWM3100V

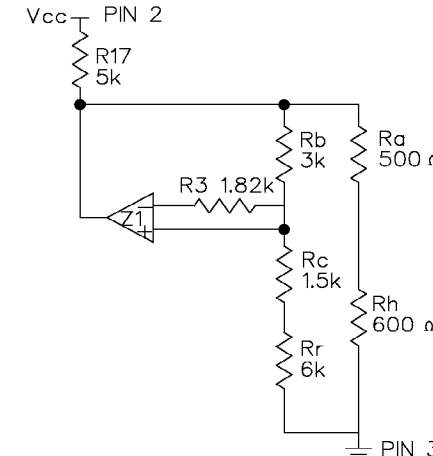
REV	DOCUMENT	CHANGED BY	CHECK
5	0013772	RS 16JUNE05	AK



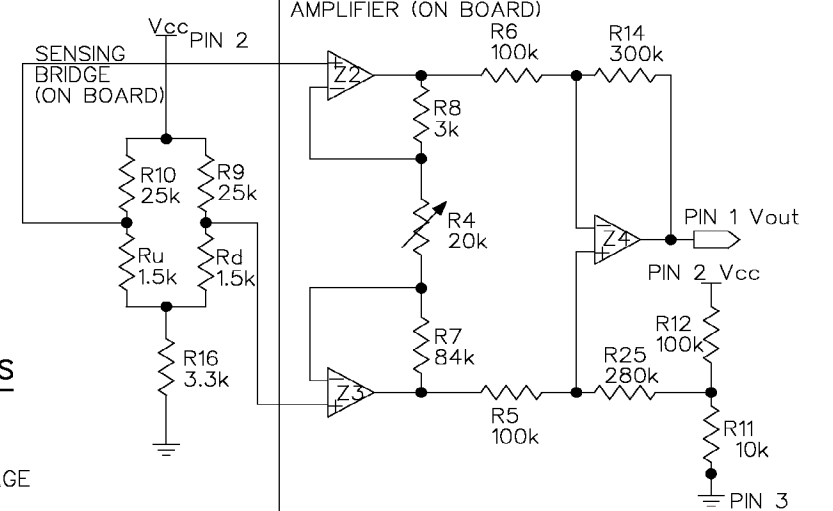
SPECIFICATIONS:	AWM3100V	AWM3100V
RECOMMENDED EXCITATION	10.00 ±.01VDC	OUTPUT FLOW VS. INTERCHANGEABILITY
POWER CONSUMPTION	1.0mW MAX	FLOW sccm
OUTPUT VOLTAGE @ LASER TRIM POINT	5.00 VDC @ 200 sccm	NOMINAL (VDC)
NULL VOLTAGE	1.00 ±.05 VDC	TOL. (±VDC)
NULL VOLTAGE SHIFT (-25°C TO +85°C)	±25mV	200
OUTPUT VOLTAGE SHIFT (+25°C TO -25°C)	-4% READING MAX	175
OUTPUT VOLTAGE SHIFT (+25°C TO +85°C)	+4% READING MAX	150
REPEATABILITY & HYSTERESIS	±.50% READING MAX	125
RESPONSE TIME	3.0 msec MAX	100
OPERATING TEMPERATURE RANGE	-25°C TO +85°C	75
STORAGE TEMPERATURE RANGE	-40°C TO +90°C	50
TERMINATION (ON .100 CENTERS)	0.025 SQ. IN.	25
WEIGHT	10.8 GRAMS	0
SHOCK RATING (5 DROPS, EACH OF 6 AXES)	100G PEAK	
OVERPRESSURE	25 psi MAX	

FLOW sccm	NOMINAL (VDC)	TOL. (±VDC)
200	5.00	0.15
175	4.80	0.16
150	4.50	0.17
125	4.17	0.18
100	3.75	0.19
75	3.27	0.19
50	2.67	0.17
25	1.90	0.13
0	1.00	0.05

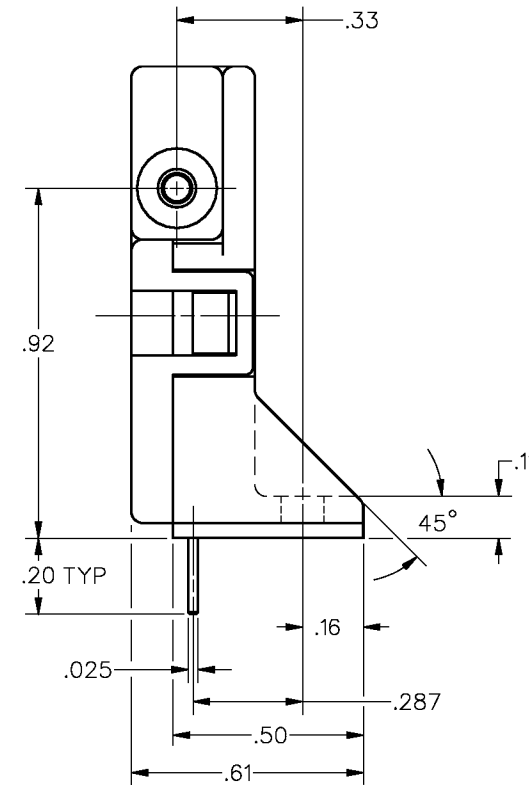
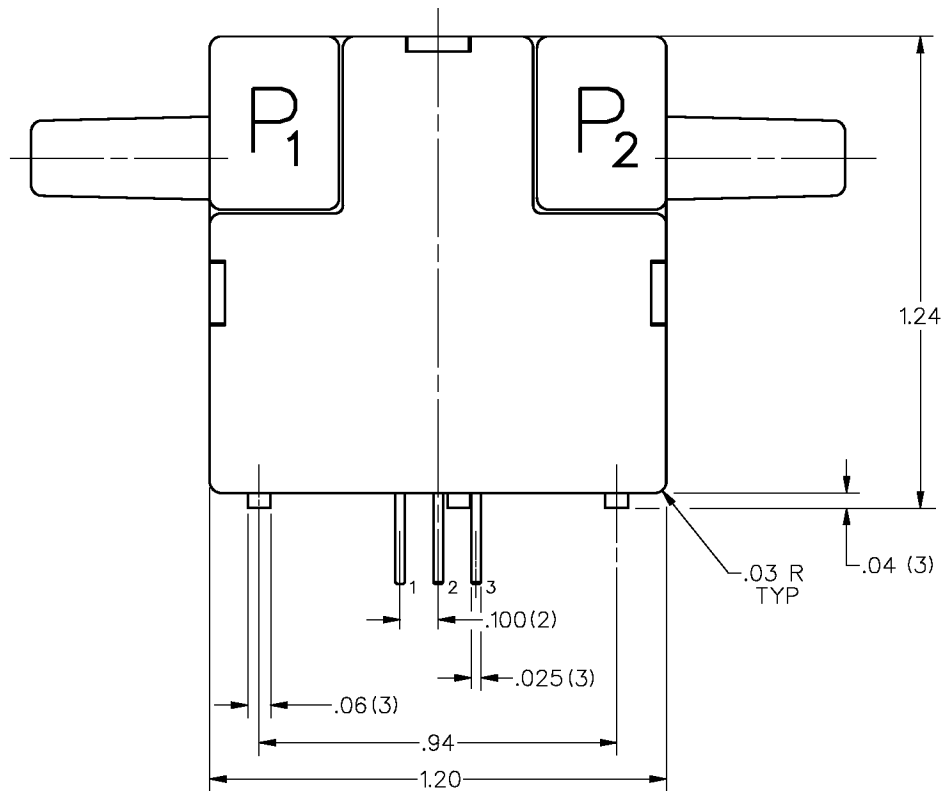
HEATER CONTROL CIRCUIT



SENSING BRIDGE SUPPLY CIRCUIT AND DIFFERENTIAL INSTRUMENTATION AMPLIFIER (ON BOARD)



REPLACES X86483-AW



OUTPUT CONNECTIONS

- PIN 1 OUTPUT VOLTAGE
- PIN 2 + SUPPLY VOLTAGE
- PIN 3 GROUND

NOTES
1 - POSITIVE FLOW DIRECTION IS DEFINED AS PROCEEDING FROM P1 TO P2 AND RESULTS IN POSITIVE OUTPUT (PIN 1 > PIN 3). NEGATIVE FLOW DIRECTION IS DEFINED CONVERSELY AND RESULTS IN NEGATIVE OUTPUT (PIN 1 < PIN 3)

DESIGN UNITS: INCH	DRAWN	KAG	10JAN90
TOLERANCES UNLESS NOTED:	CHECK	JAF	12JAN90
NO PLACE X ±	THIS DRAWING COVERS A PROPRIETARY ITEM AND IS THE PROPERTY OF HONEYWELL. THIS DRAWING IS NOT TO BE COPIED OR USED WITHOUT THE PERMISSION OF HONEYWELL.		
ONE PLACE .X ±			
TWO PLACE .XX ±			
THREE PLACE .XXX ±			
FOUR PLACE .XXXX ±	INTERPRET PER ASME Y14.5M-1994 OTHER HONEYWELL ENGINEERING STANDARDS MAY APPLY		
ANGLES ±	RASTER		
THIRD ANGLE PROJECTION	SCALE 3:1		

<p>Honeywell</p> <p>TITLE</p> <p>MASS AIRFLOW SENSOR</p>			
B		I	AWM3100V
SCALE	3:1	SHEET	1 OF 1

<p>REV 5</p> <p>DOCUMENT 0013772</p> <p>CHANGED BY RS 16JUNE05</p> <p>CHECK AK</p>			
SIZE	TYPE	DRAWING NAME	REV
B	I	AWM3100V	5
SCALE	3:1	SHEET	1 OF 1