



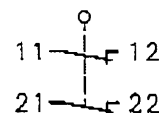
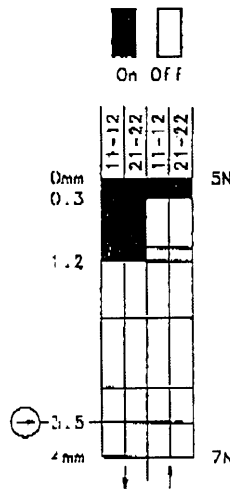
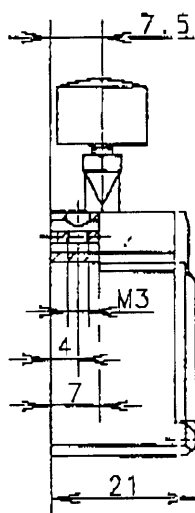
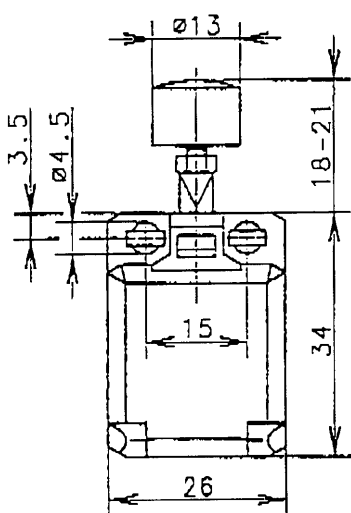
Untere Bult 2.D-32457 Perle Westfalica

# Technical data sheet

C2-SA2Z K

600.8857.022

Positive opening operation according to VDE 0660 T200 Chap. 3 IEC 947-5-1



Switching diagram

Switching symbol

Tolerance: operating point ±0.25mm; actuating force ±10%

Schutzvermerk nach DIN 34 beachten  
Copyright reserved

03.08.98

**Mechanical features**

Enclosure: PBT, glass fibre reinforced  
Cover: PC, black  
Actuator: Button (Thermoplast)

Ambient air temperature: -30°C up to +80°C  
Contact type: 2 NC-contacts (Zb)

Mechanical life: 3x10<sup>6</sup> switch operations  
Switch frequency: max. 100/min  
Mounting: from the top 2xM4, from the front 2xM3  
Connection type: 4 screw connections (M3.5)  
Cable entry size: rectangle 8.5x3.5mm  
Weight: approx. 0,02kg

**Electrical features**

Max. voltage: 250 V AC  
Max. enduring current: 1 th 10A  
Max. inrush current: according to IEC 947-5-1, AC 15 240V 3A  
Standards: according to DIN VDE 0660, IEC 947-5-1  
Protection class: IP 30 according to IEC 529:1989;EN 60529;DIN VDE 0470 T1  
Approvals: UL, CSA and BG (appl. for)  
Short circuit protection: 6A slow-acting, 10A quick-acting

**Approach possibilities**

The push bolt actuator is mainly intended to be actuated along it's axis. Side actuation will considerably reduce switch life.

**Remarks**

The moving parts should be oiled periodically.