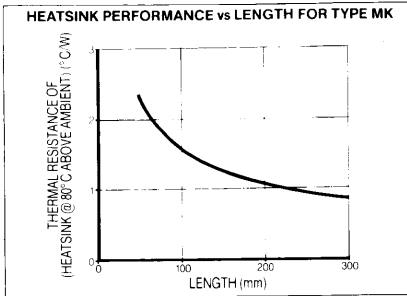
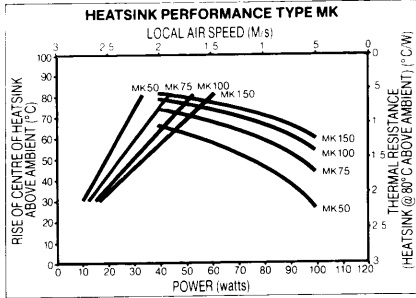
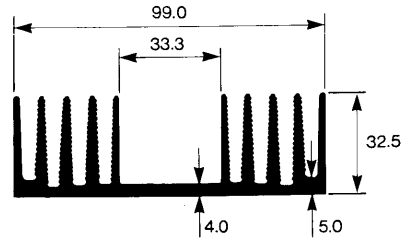


MK Powersink

Single sided heatsink. See type MB for similar heat sink featuring tee-slots. See page 45 for pre-drilled standards. Finish: Black anodised.



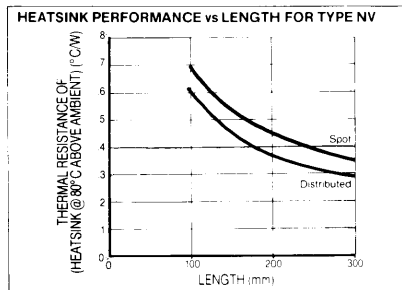
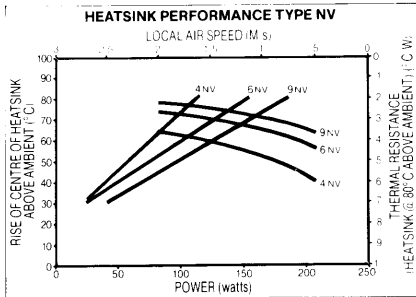
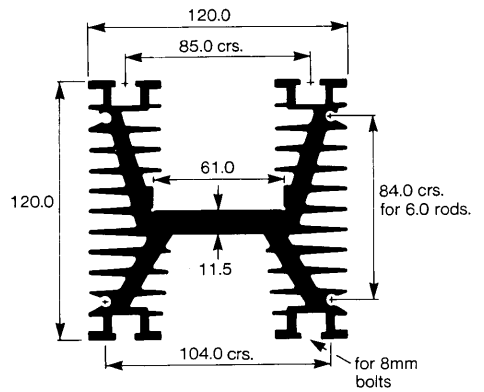
Pattern No.	Length mm.	Thermal Rating $\Theta = ^\circ\text{C/W}$
MK50-1	50	2.4
MK75-1	75	1.8
MK100-1	100	1.5
MK150-1	150	1.3

NV Powersink

Robust power handling heatsink featuring tee-slots and tie bar slots for easy tiering, stacking and electrical connections.

Finish: Black anodised.

See 920 series fan cooled units using NV heatsink.



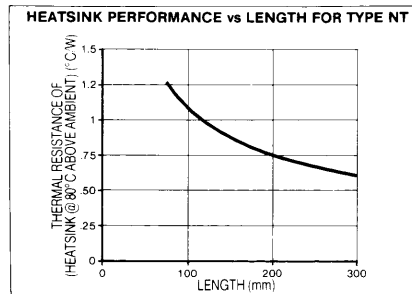
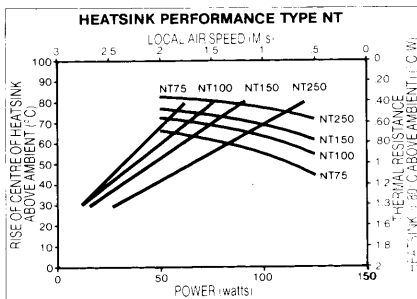
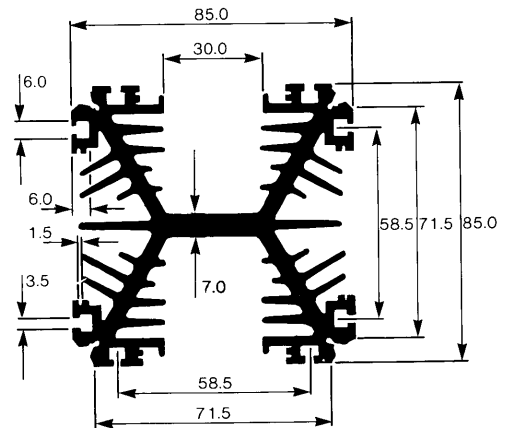
Pattern No.	Length ins. mm.	Thermal Rating $\Theta = ^\circ\text{C/W}$	
		Spot	Distributed
4NV-1	4 101.6	.70	.61
6NV-1	6 152.4	.51	.45
9NV-1	9 228.6	.43	.37

NT Powersink

Finish: Black anodised.

Custom lengths available to order.

See also 980 series Fan cooled units.



Part No.	Length mm	Thermal Rating $\Theta = ^\circ\text{C/W}$
NT75-1	75	1.3
NT100-1	100	1.1
NT150-1	150	0.9
NT250-1	250	0.7