

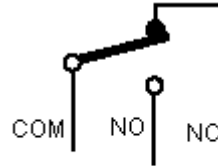
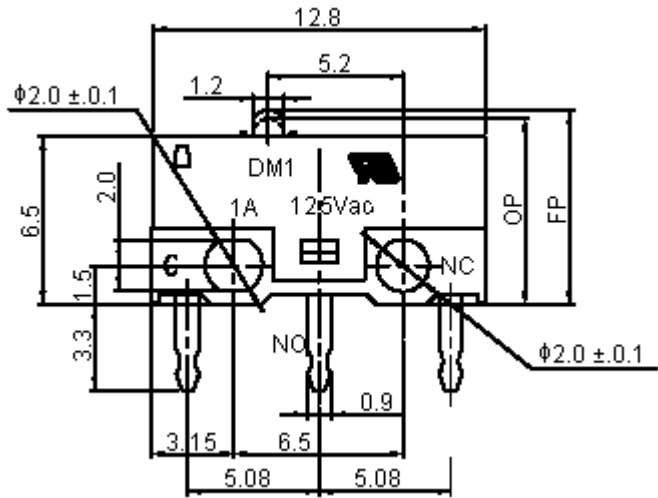


PART NO.

DM1-0 Series

REVISIONS

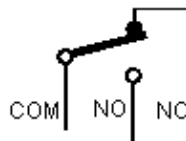
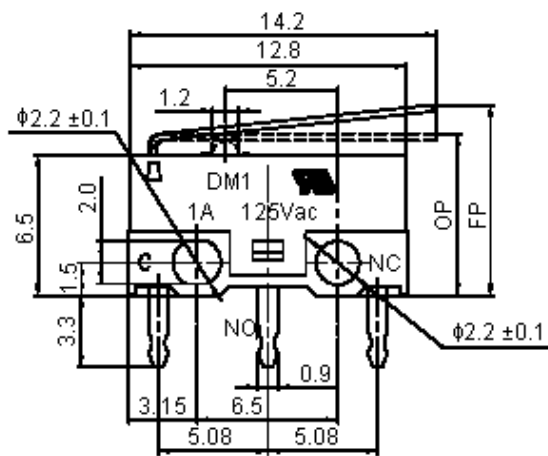
ECN #	REV	DESCRIPTION	DRAWN	DATE	CHECKD	DATE	APPRVD	DATE
-	A	RELEASED	Sreejesh	25/7/09	Sridhar	25/7/09	G. C	7/8/09



Schematic

DM1-00P-110-3

Dimensions : Millimetres



Schematic

DM1-01P-30-3

Dimensions : Millimetres

This data sheet and its contents (the "Information") belong to the Premier Farnell Group (the "Group") or are licensed to it. No licence is granted for the use of it other than for information purposes in connection with the products to which it relates. No licence of any intellectual property rights is granted. The Information is subject to change without notice and replaces all data sheets previously supplied. The Information supplied is believed to be accurate but the Group assumes no responsibility for its accuracy or completeness, any error in or omission from it or for any use made of it. Users of this data sheet should check for themselves the Information and the suitability of the products for their purpose and not make any assumptions based on information included or omitted. Liability for loss or damage resulting from any reliance on the Information or use of it (including liability resulting from negligence or where the Group was aware of the possibility of such loss or damage arising) is excluded. This will not operate to limit or restrict the Group's liability for death or personal injury resulting from its negligence. SPC MULTICOMP is the registered trademark of the Group. © Premier Farnell plc 2008.

TOLERANCES:

UNLESS OTHERWISE SPECIFIED, DIMENSIONS ARE FOR REFERENCE PURPOSES ONLY.

DRAWN BY:

Sreejesh

CHECKED BY:

Sridhar

APPROVED BY:

G.Cook

DATE:

25/07/09

DATE:

25/07/09

DATE:

07/08/09

DRAWING TITLE:

Snap Action Switches

SIZE

A

DWG NO.

M10002273

ELECTRONIC FILE

DM1-0 Series_DWG

REV

A

SCALE: NTS

U.O.M.: mm

SHEET: 1 OF 1

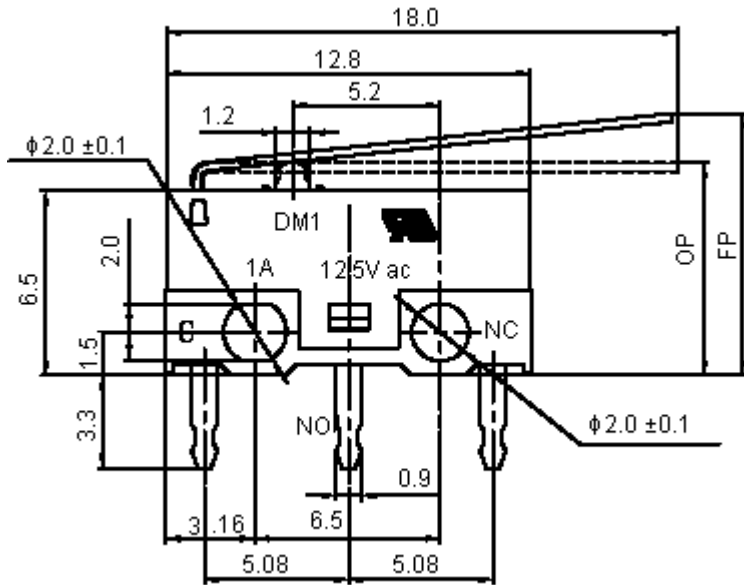


PART NO.

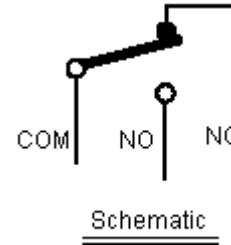
DM1-0 Series

REVISIONS

ECN #	REV	DESCRIPTION	DRAWN	DATE	CHECKD	DATE	APPRVD	DATE
-	A	RELEASED	Sreejeh	25/7/09	Sridhar	25/7/09	G. C	7/8/09



DM1-03P-30-3



Dimensions : Millimetres

Specifications:

- Rated voltage: : 125V ac 1A, 5V dc 30mA.
- Contact resistance : ≤100mΩ.
- Insulation resistance : ≥100mΩ (500V dc).
- Withstand voltage : 500V ac 1 minute.
- Operating temperature : -25° C - +65° C.
- Ambient humidity used : <85%RH.

This data sheet and its contents (the "Information") belong to the Premier Farnell Group (the "Group") or are licensed to it. No licence is granted for the use of it other than for information purposes in connection with the products to which it relates. No licence of any intellectual property rights is granted. The Information is subject to change without notice and replaces all data sheets previously supplied. The Information supplied is believed to be accurate but the Group assumes no responsibility for its accuracy or completeness, any error in or omission from it or for any use made of it. Users of this data sheet should check for themselves the information and the suitability of the products for their purpose and not make any assumptions based on information included or omitted. Liability for loss or damage resulting from any reliance on the Information or use of it (including liability resulting from negligence or where the Group was aware of the possibility of such loss or damage arising) is excluded. This will not operate to limit or restrict the Group's liability for death or personal injury resulting from its negligence. SPC MULTICOMP is the registered trademark of the Group. © Premier Farnell plc 2008.

TOLERANCES:
UNLESS OTHERWISE SPECIFIED, DIMENSIONS ARE FOR REFERENCE PURPOSES ONLY.

DRAWN BY:	DATE:
Sreejesh	25/07/09
CHECKED BY:	DATE:
Sridhar	25/07/09
APPROVED BY:	DATE:
G.Cook	07/08/09

DRAWING TITLE:

Snap Action Switches

SIZE A	DWG NO. M10002273	ELECTRONIC FILE DM1-0 Series_DWG	REV A
SCALE: NTS	U.O.M.: mm	SHEET: 3 OF 4	



PART NO.

DM1-0 Series

REVISIONS

ECN #	REV	DESCRIPTION	DRAWN	DATE	CHECKD	DATE	APPRVD	DATE
-	A	RELEASED	Sreejesh	25/7/09	Sridhar	25/7/09	G. C	7/8/09

Specification Table

Description	Mechanical Life	Electrical Life	Free Position	Operating Position	Operating Force	Soldering Temperature	Part Number
Microswitch, SPDT, 1A, Button	1,000,000 cycles	10,000/1,000,000 cycles	7.35 ±0.2mm	7.0 ±0.2mm	110 ±30gf	Hand Soldering	DM1-00P-110-3
Microswitch, SPDT, 1A, Sim Roller	500,000 cycles	10,000/500,000 cycles	10.4 ±0.8mm	8.8 ±0.8mm	30 ±15gf		DM1-01P-30-3
Microswitch, SPDT, 1A, Long Lever		30,000/500,000 cycles			20 to 50gf	245 ±5°C 3 seconds	DM1-02P-30-3
Microswitch, SPDT, 1A, Long Lever		10,000/500,000 cycles	12.0 ±0.8mm	9.5 ±0.8mm	30 ±15gf	Hand Soldering	DM1-03P-30-3

Dimensions : Millimetres

This data sheet and its contents (the "Information") belong to the Premier Farnell Group (the "Group") or are licensed to it. No licence is granted for the use of it other than for information purposes in connection with the products to which it relates. No licence of any intellectual property rights is granted. The Information is subject to change without notice and replaces all data sheets previously supplied. The Information supplied is believed to be accurate but the Group assumes no responsibility for its accuracy or completeness, any error in or omission from it or for any use made of it. Users of this data sheet should check for themselves the information and the suitability of the products for their purpose and not make any assumptions based on information included or omitted. Liability for loss or damage resulting from any reliance on the Information or use of it (including liability resulting from negligence or where the Group was aware of the possibility of such loss or damage arising) is excluded. This will not operate to limit or restrict the Group's liability for death or personal injury resulting from its negligence. SPC MULTICOMP is the registered trademark of the Group. © Premier Farnell plc 2008.

TOLERANCES:
UNLESS OTHERWISE SPECIFIED, DIMENSIONS ARE FOR REFERENCE PURPOSES ONLY.

DRAWN BY:	DATE:
Sreejesh	25/07/09
CHECKED BY:	DATE:
Sridhar	25/07/09
APPROVED BY:	DATE:
G.Cook	07/08/09

DRAWING TITLE:			
Snap Action Switches			
SIZE	DWG NO.	ELECTRONIC FILE	REV
A	M10002273	DM1-0 Series_DWG	A
SCALE: NTS		U.O.M.: mm	SHEET: 4 OF 4