



## CS Circuit Separators Terminal Blocks Accessories



### Features and Benefits

- The CS circuit separator avoids the derating of terminal blocks when cut jumper bars JB are used,
- Compatible with feed-through terminal blocks up to 16 mm<sup>2</sup> 4 AWG,
- Without spacing loss.

### Main Technical Data

Material Specifications	Insulating material	Polyamide	
	Flammability	V0	
	NF F 16 101	I2F2	
Ambient temperature min/max	Service IEC 60068-2-1	-55 +110 °C	-67 +230 F
	Storage	-55 +110 °C	-67 +230 F
	Installing	-5 +40 °C	-23 +104 F

### Ordering Details

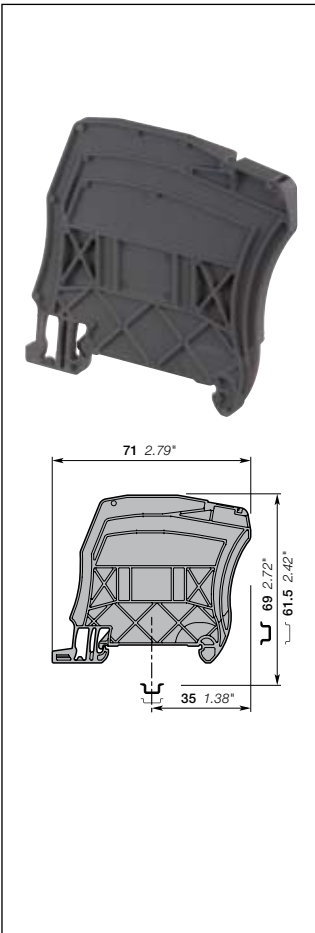
#### CS Circuit Separators

Description	Type	Order Code	Pack <sup>(ing)</sup> pieces	Weight g (1 pce)
0 mm 0 in spacing	Dark Grey	<b>CS</b> <b>1SNK 900 101 R0000</b>	20	0.20

### CS Mounting Instructions



## CS Circuit Separators Terminal Blocks Accessories



### Features and Benefits

- Ease the visual identification of the several circuits within your terminal block assemblies,
- Compatible with feed-through terminal blocks up to 35 mm<sup>2</sup> 0 AWG,
- Intermediate cover holder for CO protective cover,
- Mounting on DIN3-TH35 rail.

### Main Technical Data

Material Specifications	Insulating material	Polyamide	
	Flammability	V0	
	NF F 16 101	I2F2	
Ambient temperature min/max	Service IEC 60068-2-1	-55 +110 °C	-67 +230 F
	Storage	-55 +110 °C	-67 +230 F
	Installing	-5 +40 °C	-23 +104 F

### Ordering Details

#### CS Circuit Separators

Description	Type	Order Code	Pack <sup>(ing)</sup> pieces	Weight g (1 pce)
3 mm 0.118 in spacing	Dark Grey	<b>CS-R1</b> <b>1SNK 900 103 R0000</b>	20	5.20

#### CS Accessories

Description	Type	Order Code	Pack <sup>(ing)</sup> pieces	Weight g (1 pce)	
1 <b>Terminal Block</b>	Blank card	White <input type="checkbox"/> <b>MC512</b>	<b>1SNK 140 000 R0000</b>	22	0.06
<b>Markers</b>	Universal wire markers holder	Grey <input type="checkbox"/> <b>UMH</b>	<b>1SNK 900 611 R0000</b>	10	0.20
	Self adhesive strip	White <input type="checkbox"/> <b>SAT5</b>	<b>1SNK 900 614 R0000</b>	5	6.00

### CS Mounting Instructions

