

PRODUCT DESCRIPTION

TRIAD™ 20 Plug Front Shell Assemblies comprise of die-cast zinc body and removable glass filled thermoplastic insert for pin or socket contact retention, as detailed below. They are available in three shell sizes and five contact arrangements. As shown on page 5 alternative keying is possible by simply repositioning the insert.

If back shell are not required, then the appropriate size Insert Retainer, as shown on page 20 must be used to retain the Insert.

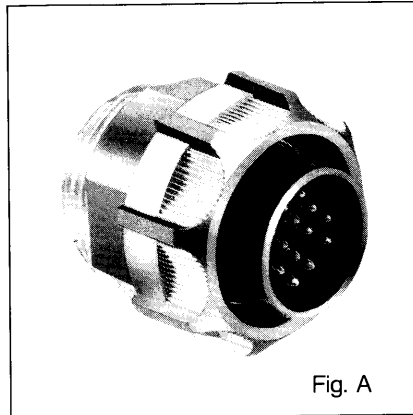


Fig. A

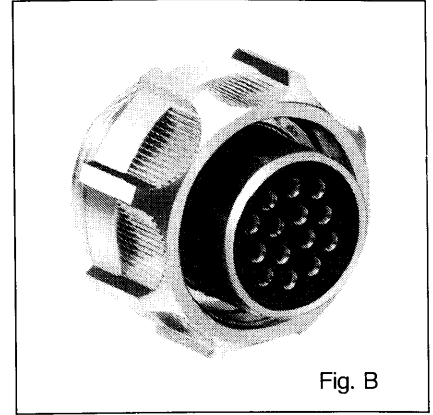
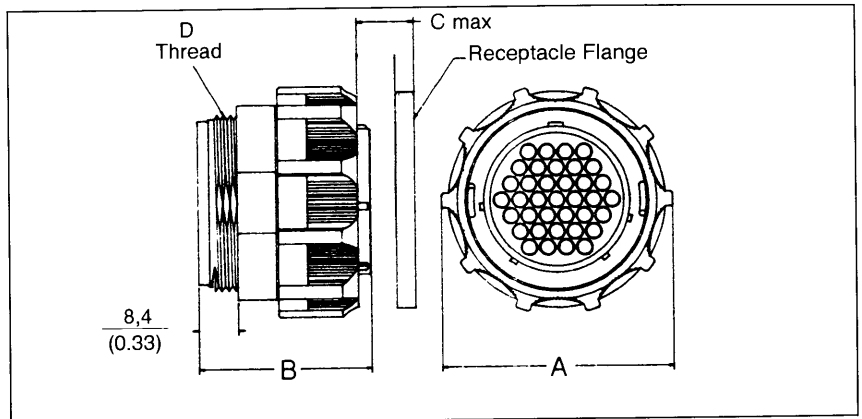


Fig. B



TRIAD™ 20 PLUG FRONT SHELL ASSEMBLIES FOR PIN CONTACTS (Fig. A)

Cat. No.	Shell size	No. of Circuits	Dimensions in mm (inch)			
			A	B	C	D
M1110-P04	11	4	28,7 (1.13)	35,8 (1.41)	6,4 (.25)	3/4-20
M1710-P09	17	9	38,1 (1.50)	35,8 (1.41)	6,4 (.25)	1 3/16-18
M1710-P14	17	14	38,1 (1.50)	35,8 (1.41)	6,4 (.25)	1 3/16-18
M2310-P24	23	24	48,0 (1.89)	35,8 (1.41)	8,1 (.32)	1 7/16-18
M2310-P37	23	37	48,0 (1.89)	35,8 (1.41)	8,1 (.32)	1 7/16-18

TRIAD™ 20 PLUG FRONT SHELL ASSEMBLIES FOR SOCKET CONTACTS (Fig. B)

Cat. No.	Shell size	No. of Circuits	Dimensions in mm (inch)			
			A	B	C	D
M1110-S04	11	4	28,7 (1.13)	29,5 (1.16)	6,4 (.25)	3/4-20
M1710-S09	17	9	38,1 (1.50)	29,5 (1.16)	6,4 (.25)	1 3/16-18
M1710-S14	17	14	38,1 (1.50)	29,5 (1.16)	6,4 (.25)	1 3/16-18
M2310-S24	23	24	48,0 (1.89)	29,5 (1.16)	8,1 (.32)	1 7/16-18
M2310-S37	23	37	48,0 (1.89)	29,5 (1.16)	8,1 (.32)	1 7/16-18