

4

3

2

1

THIS DRAWING IS UNPUBLISHED.  
VERTRAULICHE UNVERÖFFENTLICHTE ZEICHNUNG

RELEASED FOR PUBLICATION  
FREI FUER VERÖFFENTLICHUNG

MATED WITH:  
PASSEND ZU:

LOC  
AI

DIST

REVISIONS  
ÄNDERUNGEN

© COPYRIGHT 2000

BY AMP INCORPORATED.

ALL RIGHTS RESERVED.  
ALLE RECHTE VORBEHALTEN

HVS-HE.8

PROJEKT NR.:  
EGGMN04410

P  
A4

LTR

DESCRIPTION  
BESCHREIBUNG

DATE

DWN

APVD

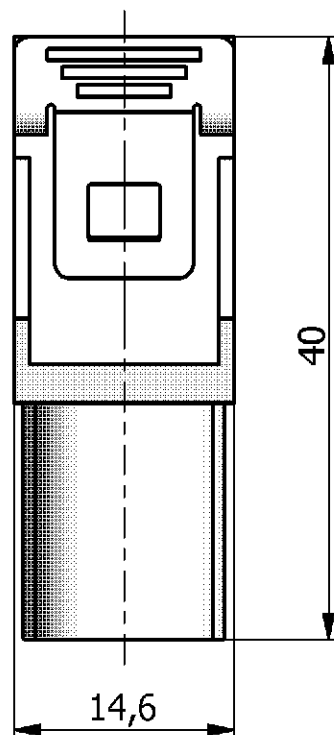
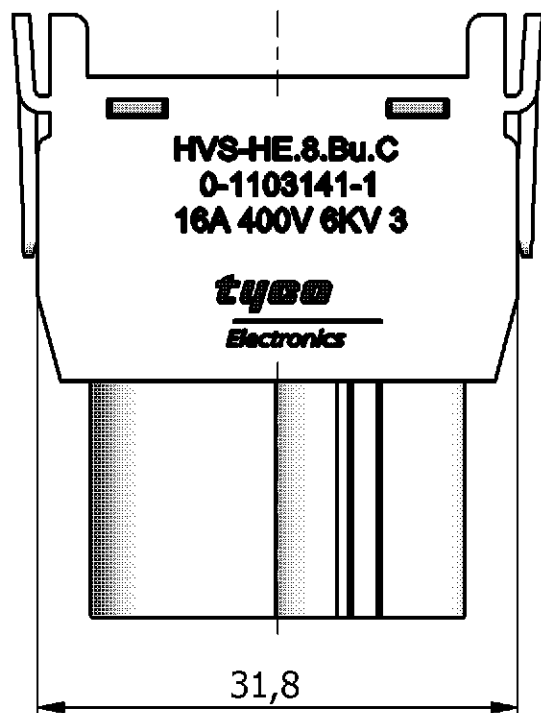
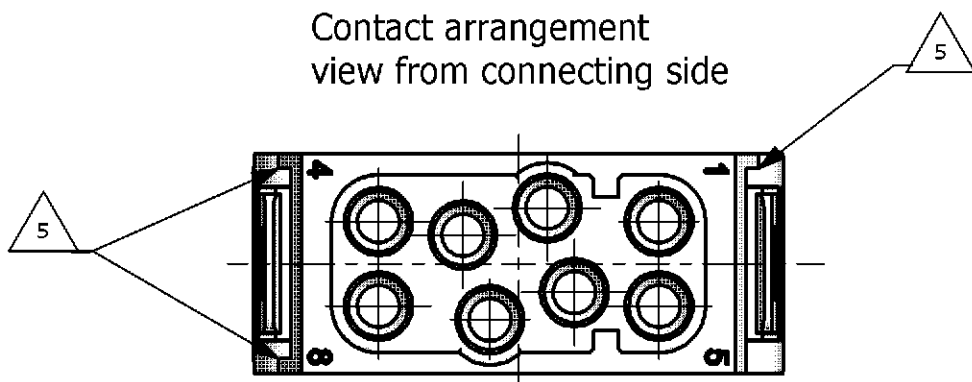
NOTES CHANGED ECR-06-029805

21.12.2006 SR SM

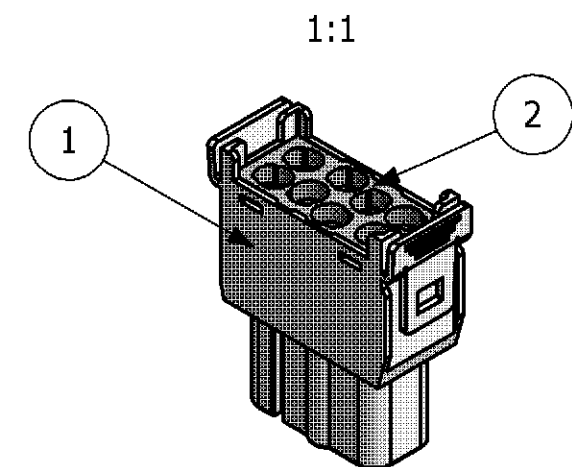
### NOTES

- 1 SUITABLE CRIMP CONTACTS: SERIES HE / HA  
CUSTOMER DRAWING: 1105101  
OUTER DIMENSIONS OF INSULATION: MAX. Ø4,9 MM
- 2 SUITABLE MODULE FIXING FRAME: SERIES HVS SIZE 3 TO 8  
CUSTOMER DRAWING: 1103250
- 3 SUITABLE INSERTION TOOL:  
CUSTOMER DRAWING: 0-1102855-6
- 4 SUITABLE EXTRACTION TOOL:  
CUSTOMER DRAWING: 0-1102855-7
- 5 STANDARDS:  
DIN EN 61984; DIN EN 60664-1
- 6 POLARIZATION RIPS
- 7 MARKING OF POLARIZATION ACCORDING MARKING OF  
MODULE FRAME
- 8 PACKAGING:  
10 SETS IN A CARTON, PRE-MOUNTED

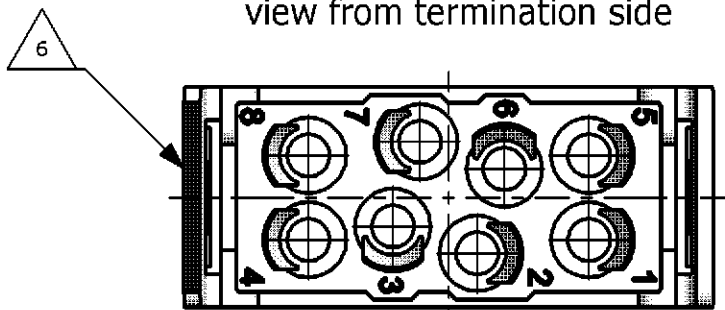
Contact arrangement  
view from connecting side



0-1 as shown  
Ordering text: HVS-HE.8.Bu.C



Contact arrangement  
view from termination side



1	COVER FOR FEMALE INSERT	PBT-GF15		LIGHT-GREY		2
1	FEMALE INSERT HVS-HE.8	PBT-GF10		LIGHT-GREY		1
QTY.	DESCRIPTION	MATERIAL	SURFACE	COLOR	NOTE	ITEM

#### PARTS LIST

THIS DRAWING IS A CONTROLLED DOCUMENT FOR AMP INCORPORATED. IT IS SUBJECT TO CHANGE AND THE CONTROLLING ENGINEERING ORGANIZATION SHOULD BE CONTACTED FOR THE LATEST REVISION. DIESES ZEICHNUNGSDOKUMENT WIRD DURCH AMP INCORPORATED KONTROLLIERT. ÄNDERUNGEN, DIE DEM TECHNISCHEN FORTSCHRITT DIENEN, SIND VORBEHALTEN. DEN JEWEILS LETZTLIEGENDEN ÄNDERUNGSSTAND ERFAHREN SIE AUF ANFRAGE.		DWN M. SCHWEIGER 24.08.2005	Tyco / Electronics AMP GmbH D - 53819 Neunkirchen	
DIMENSIONS: DIMENSIONEN: mm		CHK TH. SCHNURPFEIL 23.08.2005		
TOLERANCES UNLESS OTHERWISE SPECIFIED: ALLGEMEINTOLERANZEN		APVD	NAME <b>FEMALE INSERT HVS-HE.8.BU.C</b>	
n. ISO 8015 n. ISO 2768 - mH -E n. DIN 16901 - 140		PRODUCT SPEC PRODUKTSPEZ. 108-74073	SIZE A3	CAGE CODE 00779
0 PLC 1 PLC 2 PLC 3 PLC		APPLICATION SPEC VERARBEITUNGSSPEZ. 114-74073	DRAWING NO ZEICHNUNGS-NR. 1103141	
MATERIAL		FINISH / OBERFLÄCHE / FARBE	RESTRICTED TO NUR FUER	
		WEIGHT GEWICHT	CUSTOMER DRAWING / KUNDENZEICHNUNG	
		SCALE MASSSTAB 2:1		SHEET BLATT 1 OF VON 1 REV A4