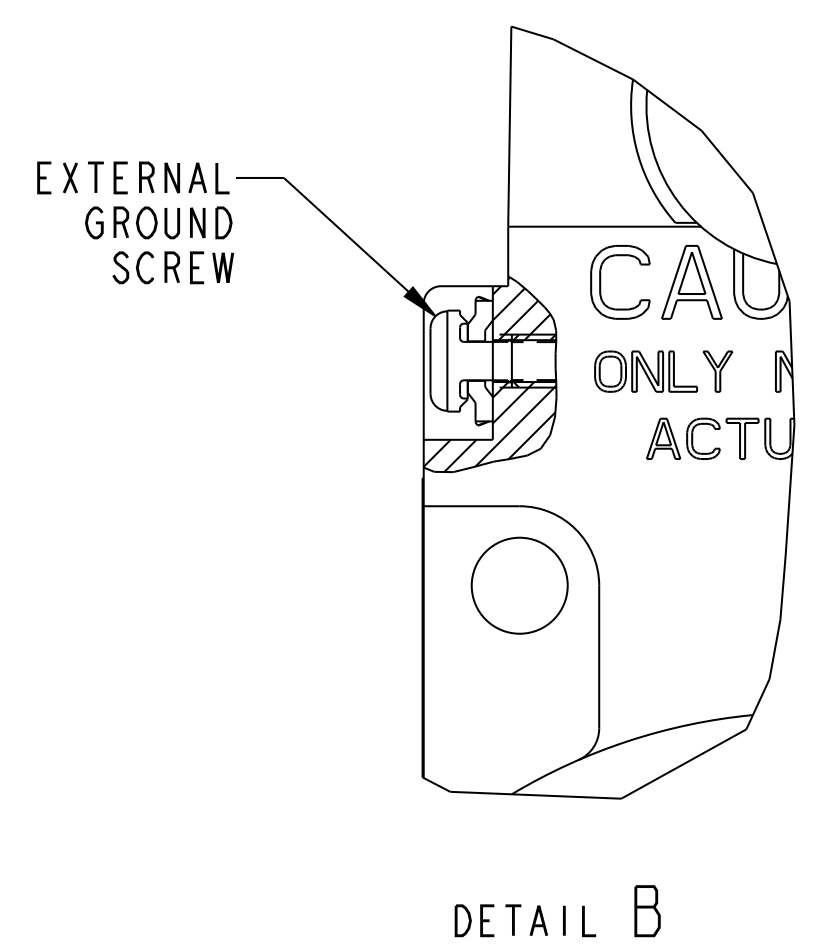
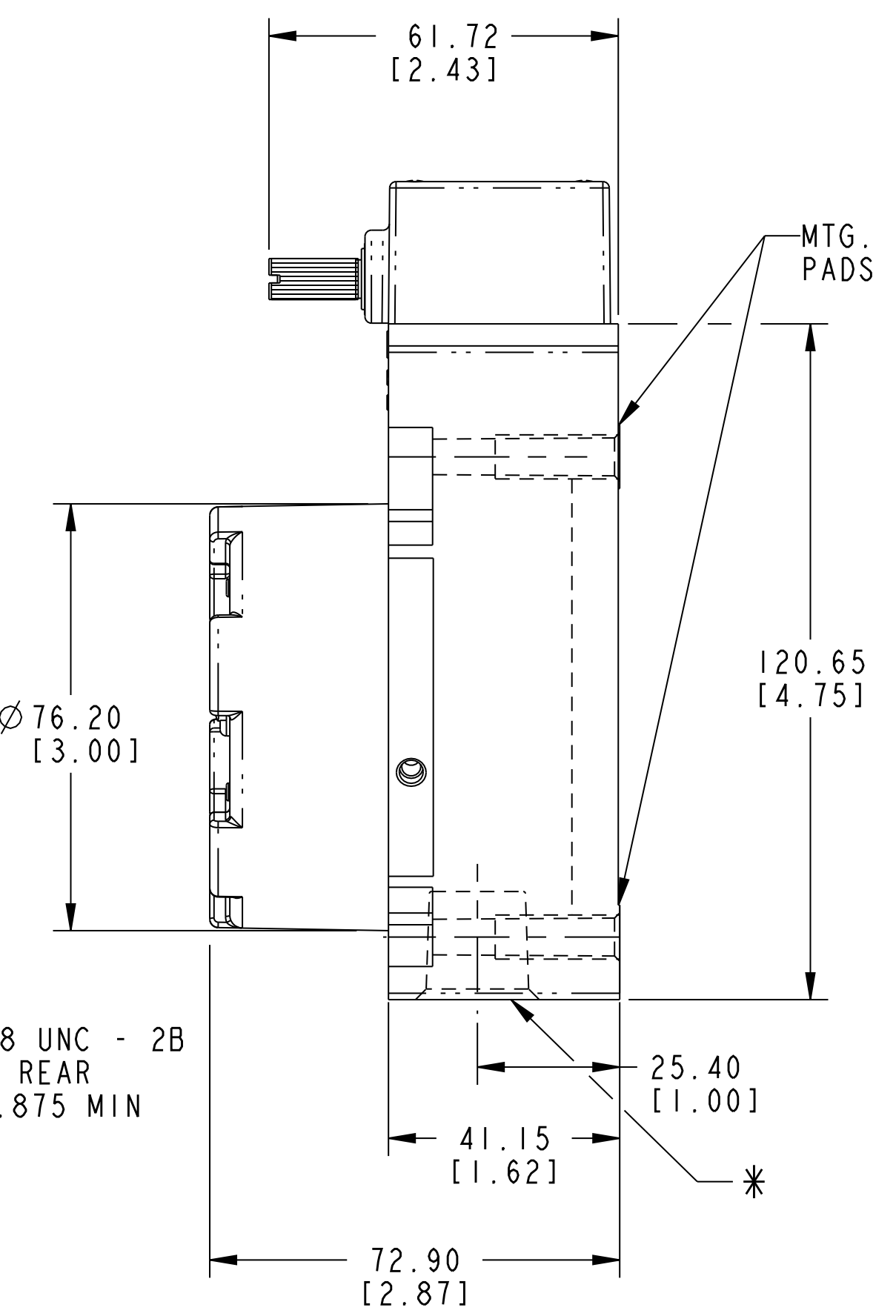
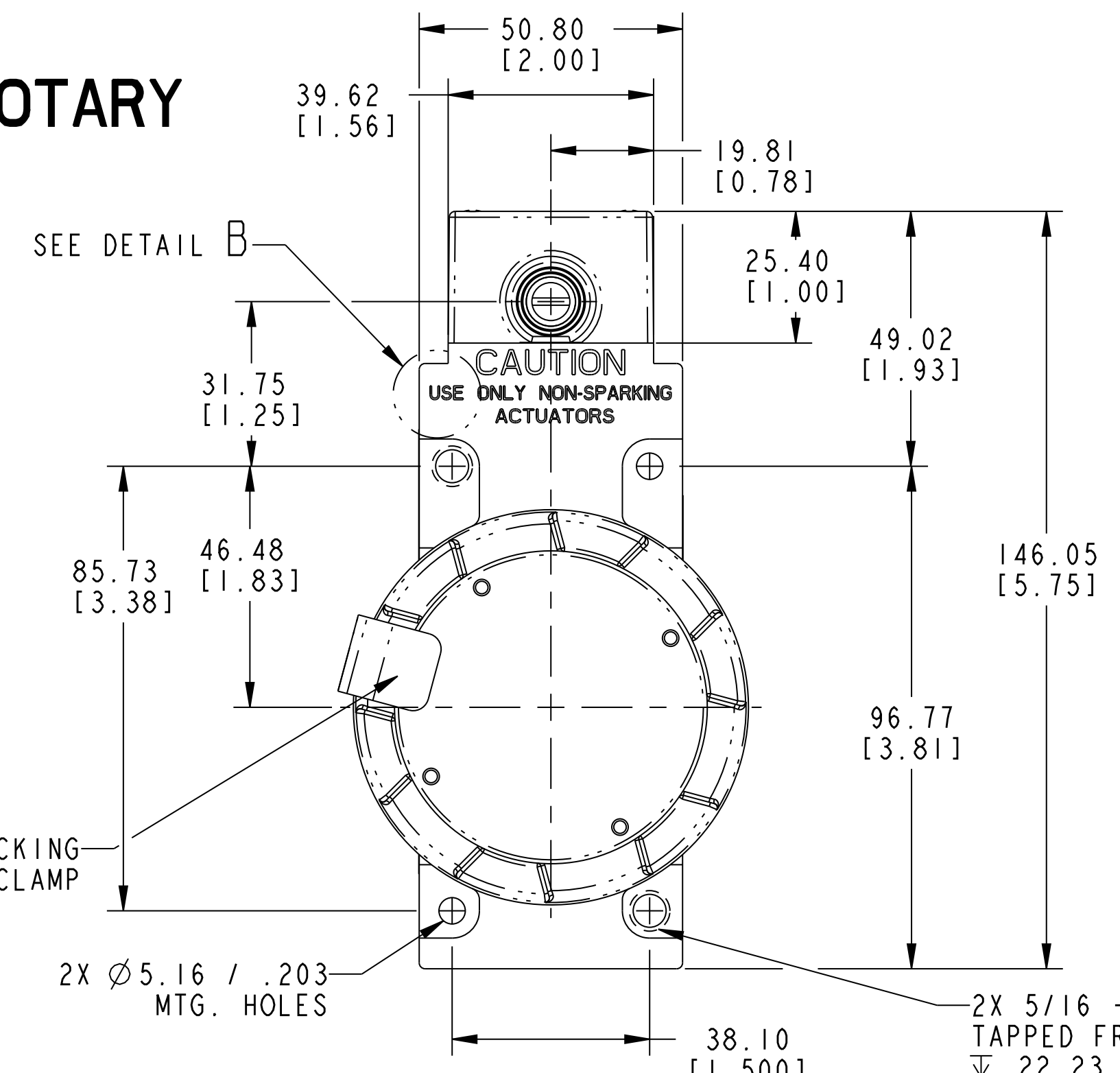
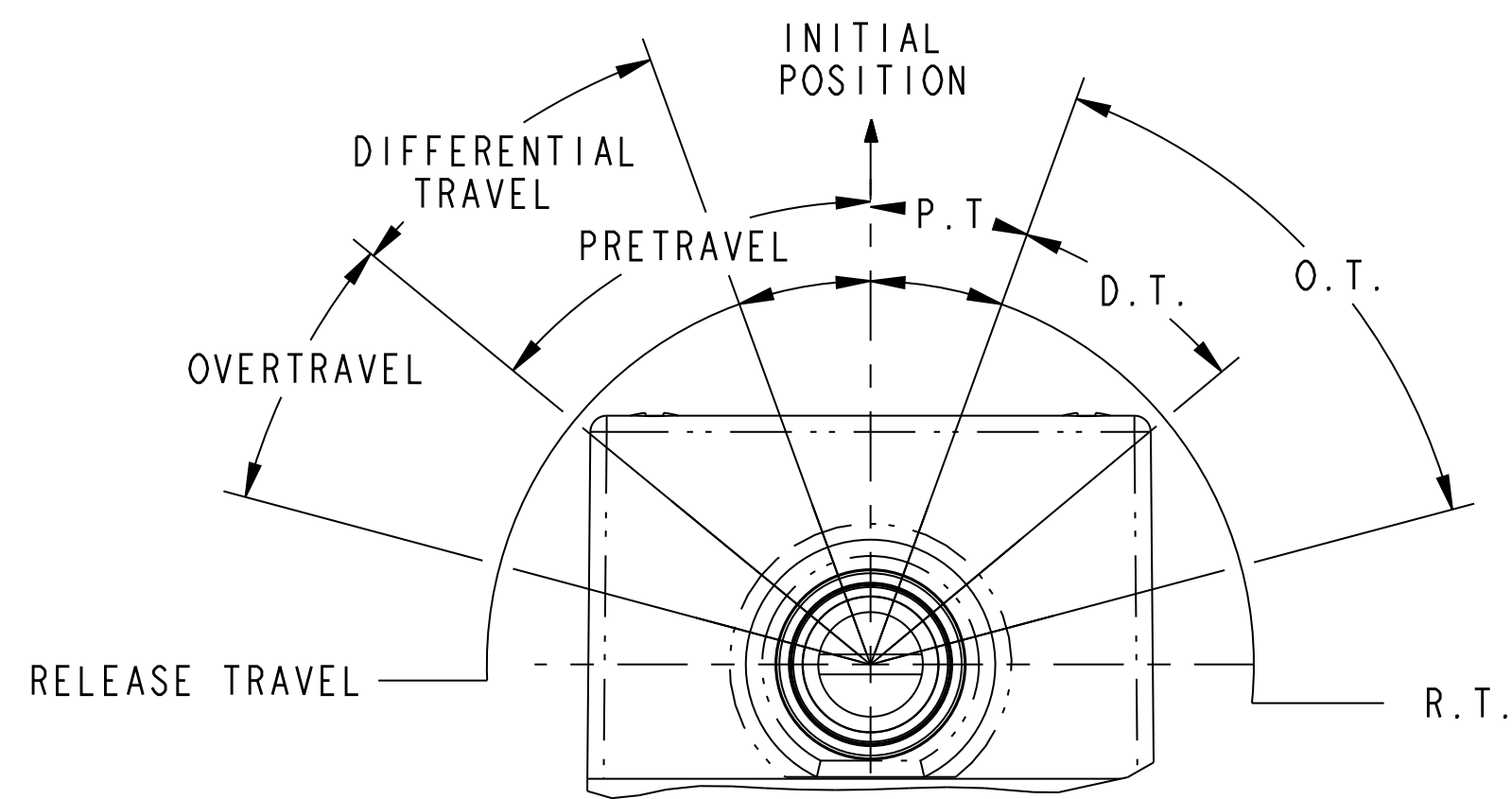
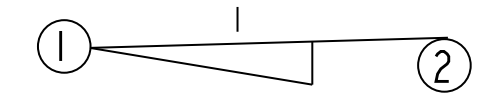
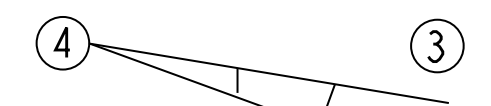


OPERATING DATA - SIDE ROTARY

SIDE ROTARY



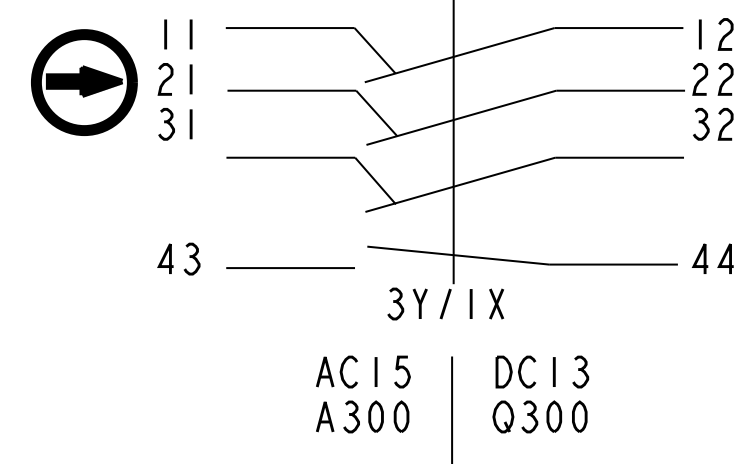
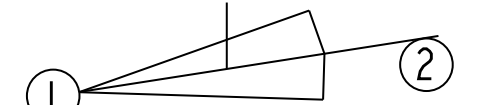
SINGLE POLE MOMENTARY



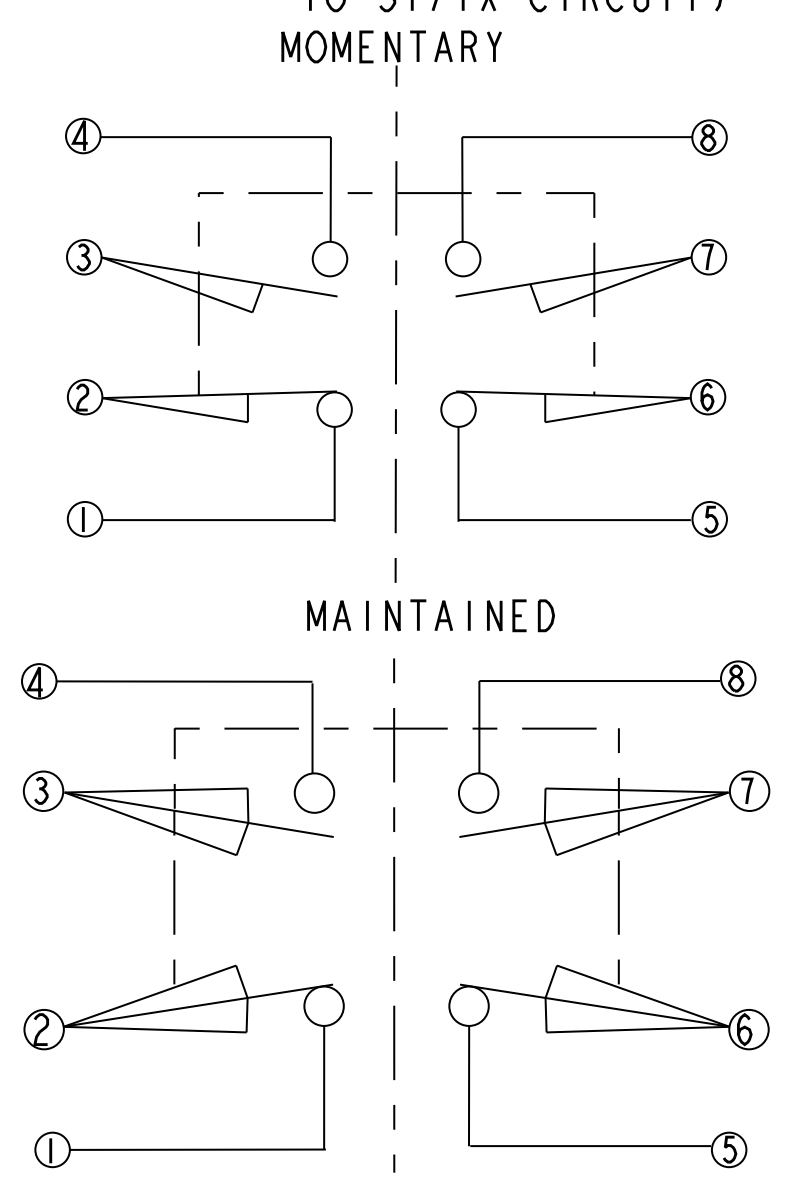
DIRECT ACTING



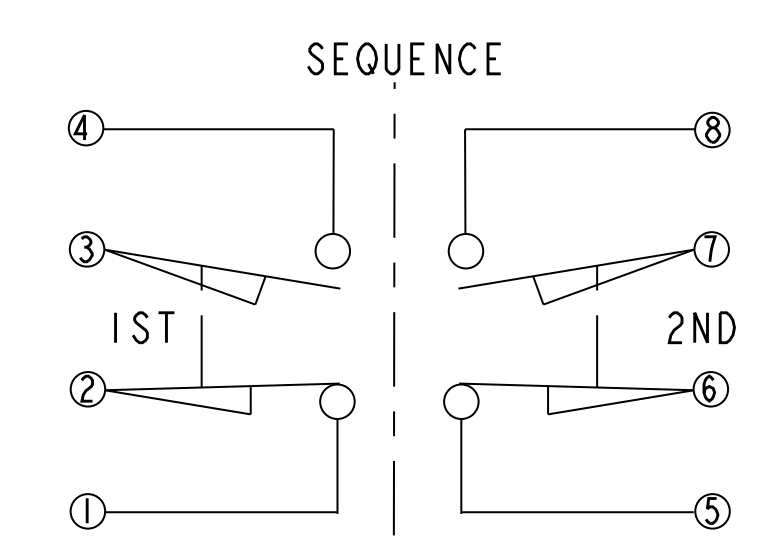
MAINTAINED



WIRING BASIC SWITCH SAME POLARITY MUST BE OBSERVED (NOT APPLICABLE TO 3Y/1X CIRCUIT)



DOUBLE POLE



- * TYPE BX (A,H,L,M,N,P OR R) (3&7) 1/2 - 14 NPT CONDUIT
- * TYPE BX (A,H,L,M,N,P OR R) (1&4) 3/4 - 14 NPT CONDUIT
- * TYPE BX3 (A,H,L,M,N,P OR R) (1 THRU 4) PG 13.5 CONDUIT
- * TYPE BX4 (A,H,L,M,N,P OR R) (1 THRU 4) 20MM CONDUIT
- * TYPE BX5 (A,H,L,M,N,P OR R) (1 THRU 4) PF 1/2 CONDUIT

ELECTRICAL RATINGS

16 AMP CONT.

A.C VOLTAGE	SINGLE POLE		DOUBLE POLE		POWER FACTOR
	MAKE	BREAK	MAKE	BREAK	
120	60	6	30	3	.35
240	30	3	15	1.5	.35
480	15	1.5	7.5	.75	.35
600	12	1.2	6	.6	.35
A300/120V	N/A	N/A	60	6	.30
A300/240V	N/A	N/A	30	3	.30

D.C VOLTAGE	MAKE & BREAK INDUCTIVE	RESISTIVE
120	0.25	0.80
240	0.15	0.40
Q300/125V	0.55	N/A
Q300/250V	0.27	N/A

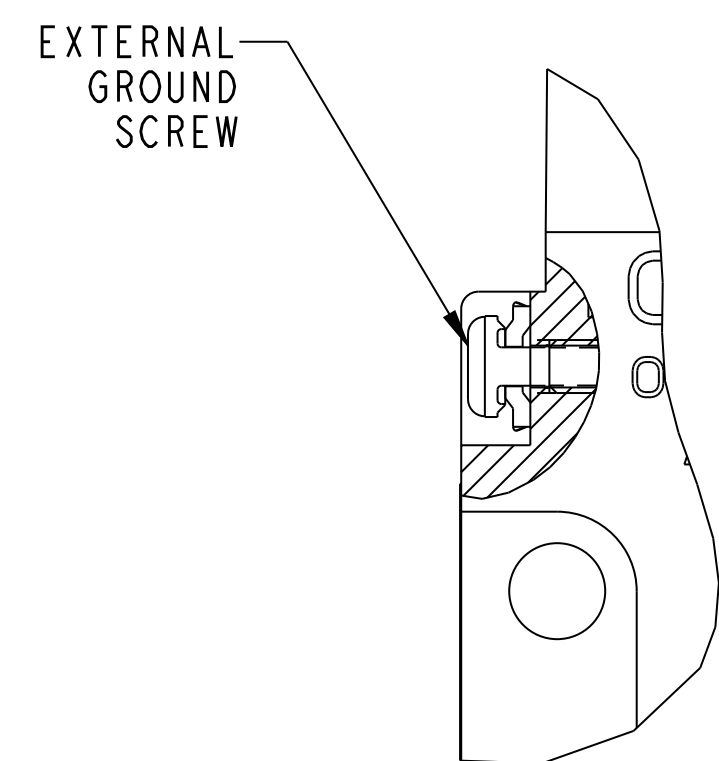
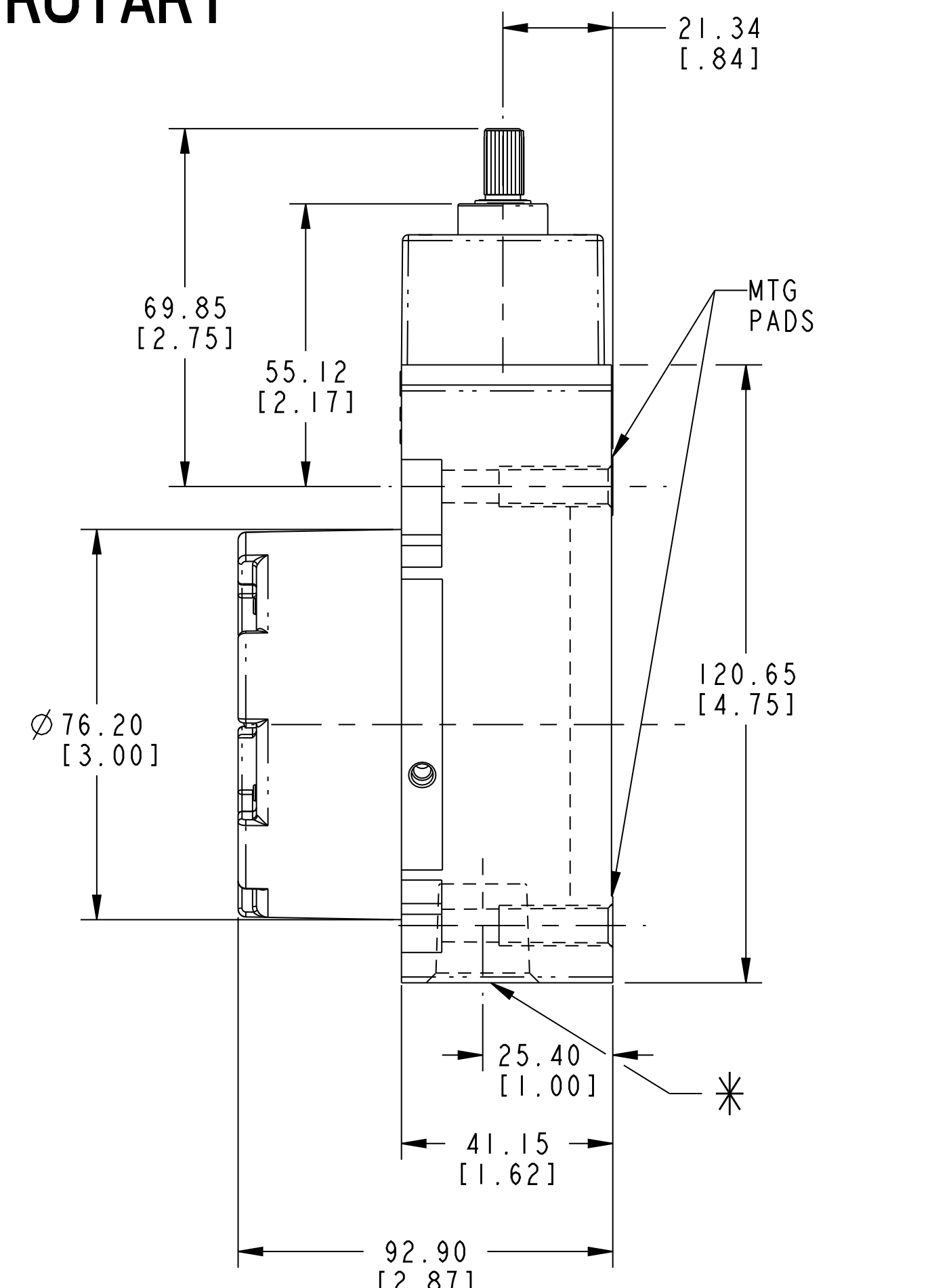
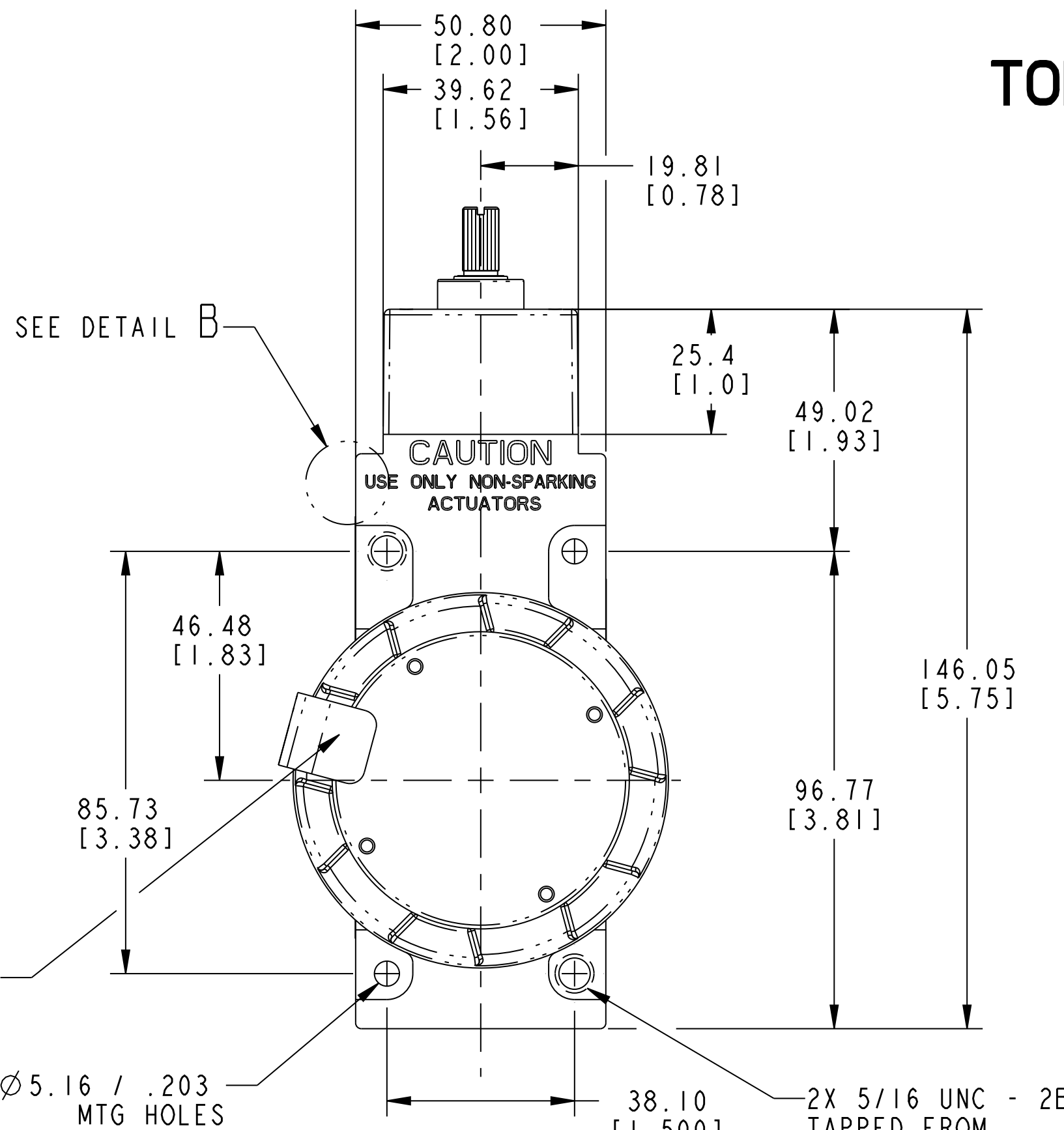
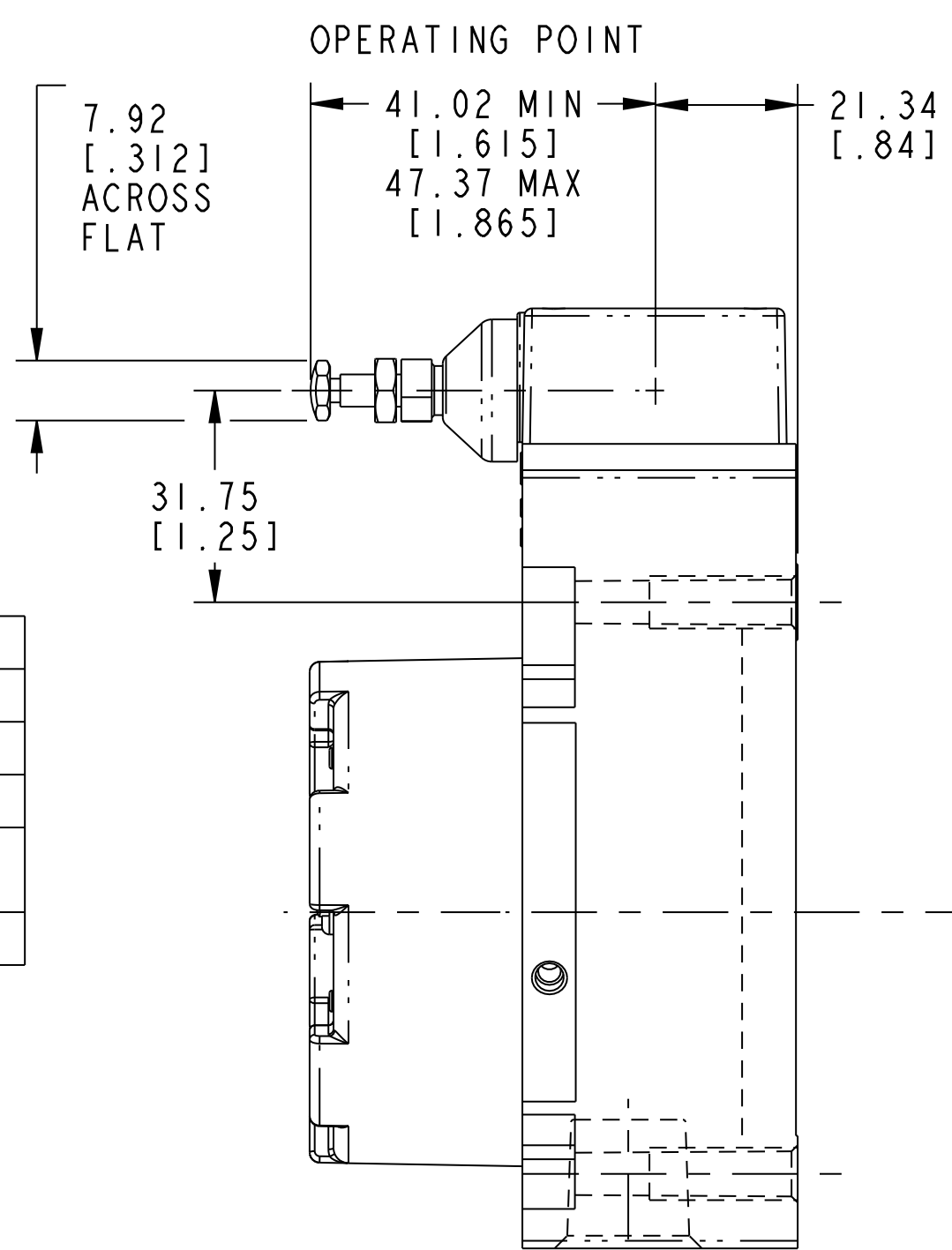
OPERATING CHARACTERISTICS	BXA MOMENTARY		BXR MOMENTARY LOW TORQUE		BXN MAINTAINED	BXP MOMENTARY LOW PRETRAVEL & DIFFERENTIAL TRAVEL		BXH MOMENTARY LOW PRETRAVEL & LOW TORQUE		BXL SEQUENCE DOUBLE POLE ONLY		BXM CENTRAL NEUTRAL DOUBLE POLE ONLY					
	PRE-TRAVEL (MAX)	OVERTRAVEL (MIN)	DIFFERENTIAL TRAVEL (MAX)	TOTAL TRAVEL (REF)	OPERATING TORQUE (MAX)	FULL TRAVEL TORQUE (MAX)	SINGLE POLE 5°	DOUBLE POLE 7°	SINGLE POLE 3°	DOUBLE POLE 4°	SINGLE POLE 3°	DOUBLE POLE 4°	1ST STEP 15°	2ND STEP 10° ADDITIONAL	18°		
PRE-TRAVEL (MAX)	15°	15°	65°	9°	9°	15°	15°	65°	9°	9°	15°	15°	18°	18°	18°		
OVERTRAVEL (MIN)	60°	60°	20°	68°	68°	48°	57°	40°	40°	40°	40°	48°	57°	57°	57°		
DIFFERENTIAL TRAVEL (MAX)	SINGLE POLE 5°	DOUBLE POLE 7°	SINGLE POLE 5°	DOUBLE POLE 7°	40°	SINGLE POLE 3°	DOUBLE POLE 4°	SINGLE POLE 3°	DOUBLE POLE 4°	SINGLE POLE 3°	DOUBLE POLE 4°	5°	10°	10°	10°		
TOTAL TRAVEL (REF)	75°	75°	90°	75°	75°	75°	75°	75°	75°	75°	75°	75°	75°	75°	75°		
OPERATING TORQUE (MAX)	.454 N/M	4 IN. LBS	.193 N/M	4 IN. LBS	.454 N/M	4 IN. LBS	.454 N/M	4 IN. LBS	.193 N/M	4 IN. LBS	.454 N/M	4 IN. LBS	.454 N/M	4 IN. LBS	.454 N/M	4 IN. LBS	
FULL TRAVEL TORQUE (MAX)	.454 N/M	4 IN. LBS	.193 N/M	4 IN. LBS	-	.454 N/M	4 IN. LBS	.193 N/M	4 IN. LBS	.454 N/M	4 IN. LBS	.454 N/M	4 IN. LBS	.454 N/M	4 IN. LBS	.454 N/M	4 IN. LBS

- NOTES:
- 1 - CONSTRUCTED IN ACCORDANCE WITH EN-50014 / EN - 50018 GROUP II C
 - 2 - VOLUME 27 CU. IN (442 CU. CM) APPROX.
 - 3 - EXPLOSION PROOF - UNDER WRITERS LAB INC. LISTED FOR HAZARDOUS LOCATIONS CLASS I, GROUPS B,C AND D; CLASS II GROUPS E,F, AND G.
 - 4 - SIRA CERTIFIED PRODUCTS. NO MODIFICATIONS PERMITTED WITHOUT REFERENCE TO SIRA.
 - 5 - CONFORMS TO EExd IIC TG
- CE 0518
SIRA 00ATEX1037X
CAT 112 GD.
- 6 - FURNISHED UNASSEMBLED IN A SEPARATE PLASTIC BAG.

DESIGN UNITS: MM [INCH]	DRAWN: LK	18NOV09	
TOLERANCES UNLESS NOTED:	CHECK: KRB	18NOV09	
NO PLACES .x ±	THIS DRAWING COVERS A PROPRIETARY ITEM AND IS THE PROPERTY OF HONEYWELL. THIS DRAWING IS NOT TO BE COPIED OR USED WITHOUT THE PERMISSION OF HONEYWELL.		
ONE PLACE .xx ±	0.400 [0.030]		TITLE: SWITCH - ENCLOSED
TWO PLACE .xxx ±	0.150 [0.015]		SIZE: D
THREE PLACE .xxx ±	0.005 [0.005]		TYPE: I
ANGLES .x ±	INTERPRET PER ASME Y14.5M-1994 OTHER HONEYWELL ENGINEERING STANDARDS MAY APPLY		CAGE CODE: -
THIRD ANGLE PROJECTION	Pro/ENGINEER 3D SCALE: 1:1		DRAWING NAME: BX SERIES CHART 1
			REV: 11
			SHEET: 1 OF 4

TOP ROTARY

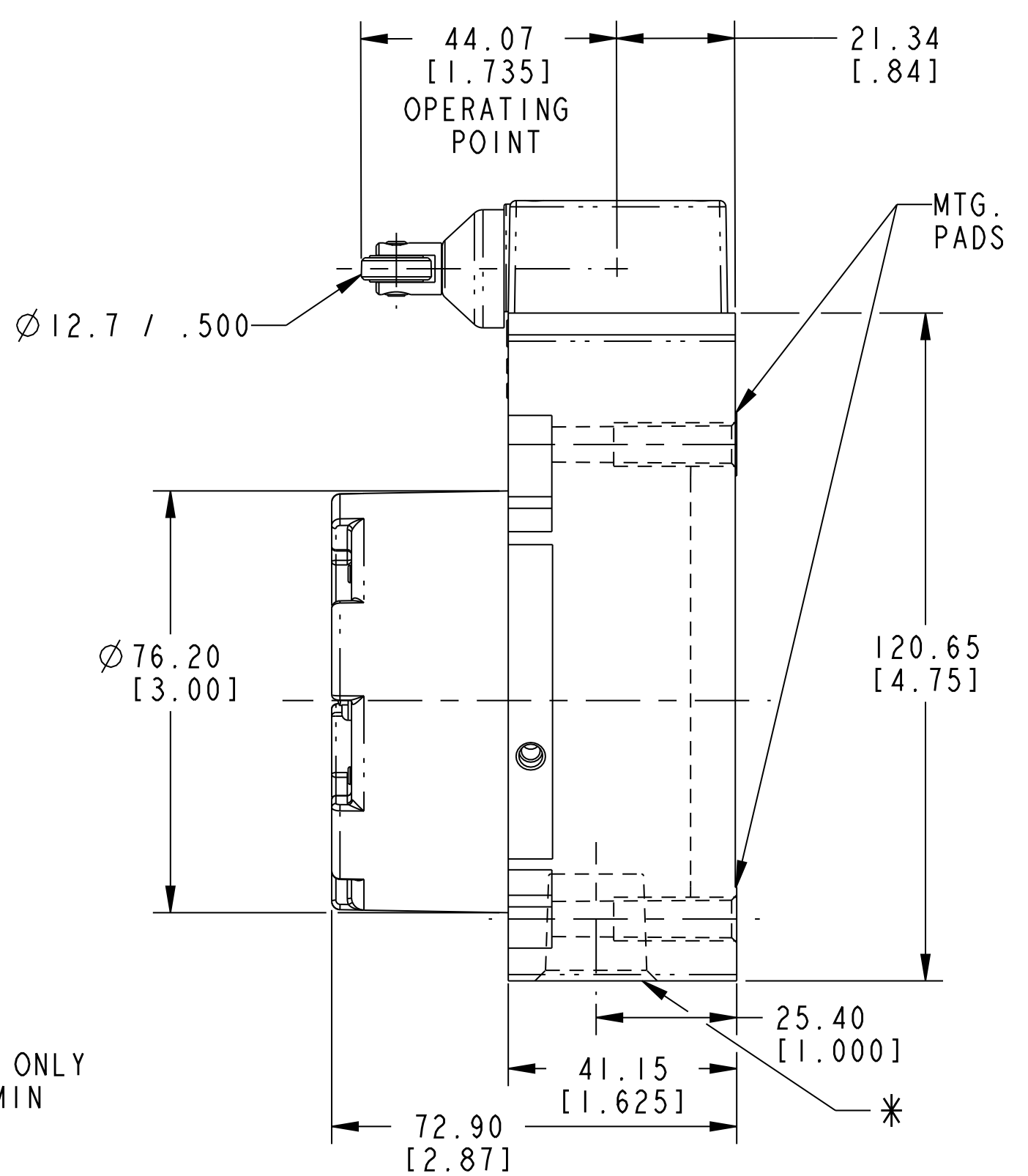
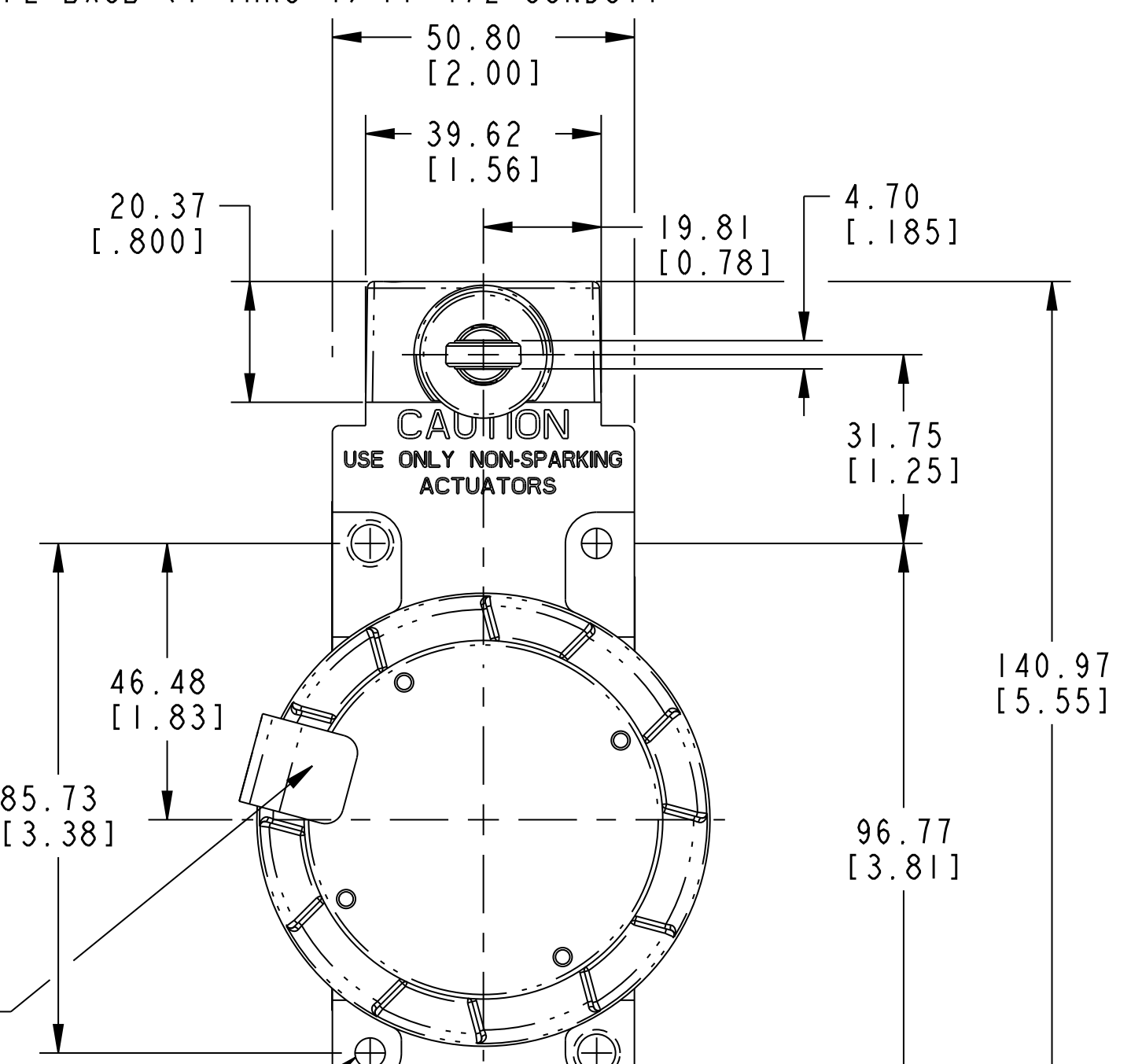
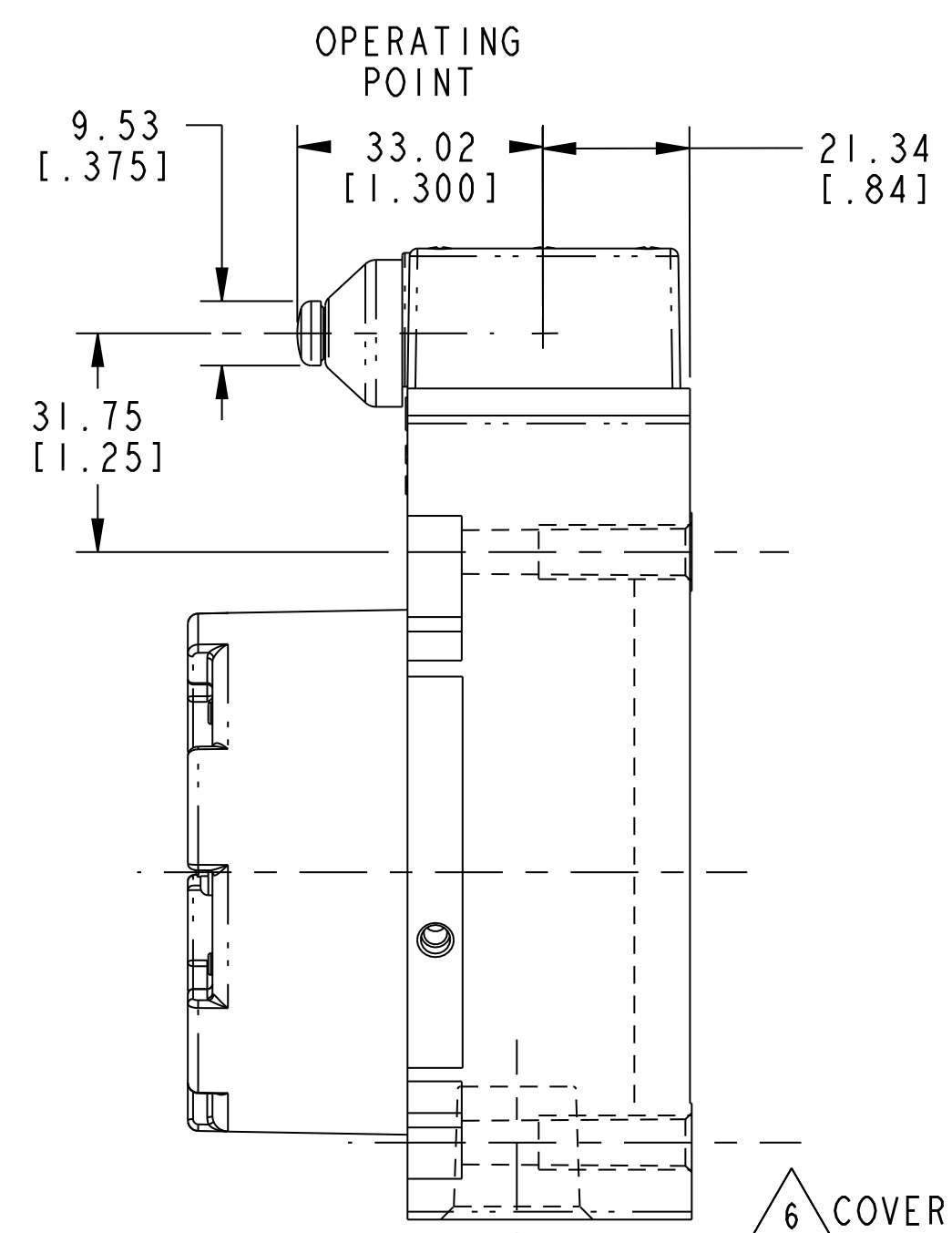
	SINGLE POLE	DOUBLE POLE
PRETRAVEL MAX	35°	35°
OVERTRAVEL MAX	100°	100°
DIFFERENTIAL TRAVEL MAX	8°	12°
OPERATING TORQUE MAX	.283 N/M 2.5 IN. LBS	.283 N/M 2.5 IN. LBS
TOTAL TRAVEL (REF)	135°	135°



DETAIL B

- * TYPE BXW (3&7) 1/2 -14 NPT CONDUIT ³
- TYPE BXW (1&4) 3/4 - 14 NPT CONDUIT ³
- TYPE BX3W (1 THRU 4) PG 13.5 CONDUIT
- TYPE BX4W (1 THRU 4) 20 MM CONDUIT
- TYPE BX5W (1 THRU 4) PF 1/2 CONDUIT

- * TYPE BXB (3&7) 1/2 -14 NPT CONDUIT ³
- TYPE BXB (1&4) 3/4 - 14 NPT CONDUIT ³
- TYPE BX3B (1 THRU 4) PG 13.5 CONDUIT
- TYPE BX4B (1 THRU 4) 20 MM CONDUIT
- TYPE BX5B (1 THRU 4) PF 1/2 CONDUIT

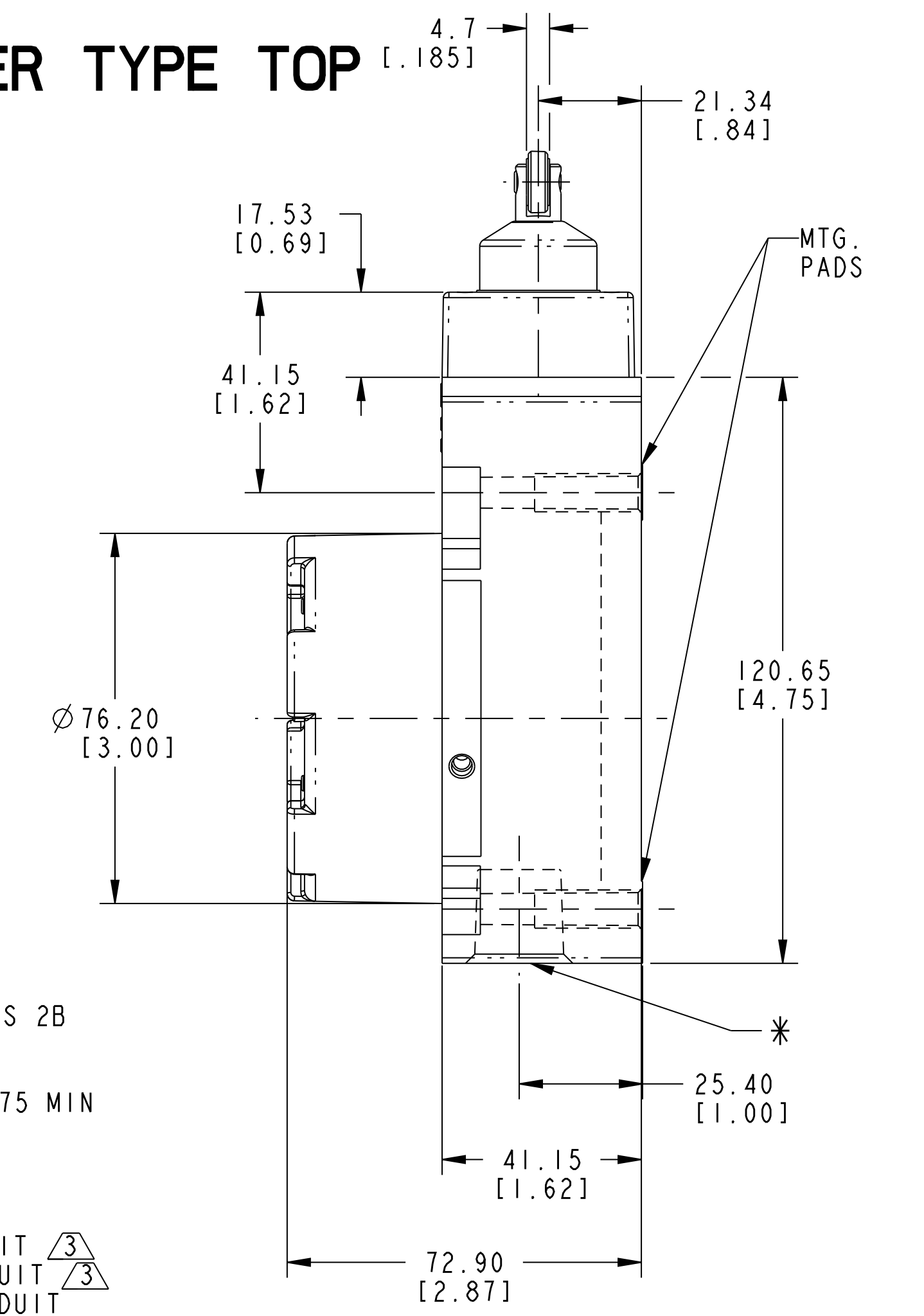
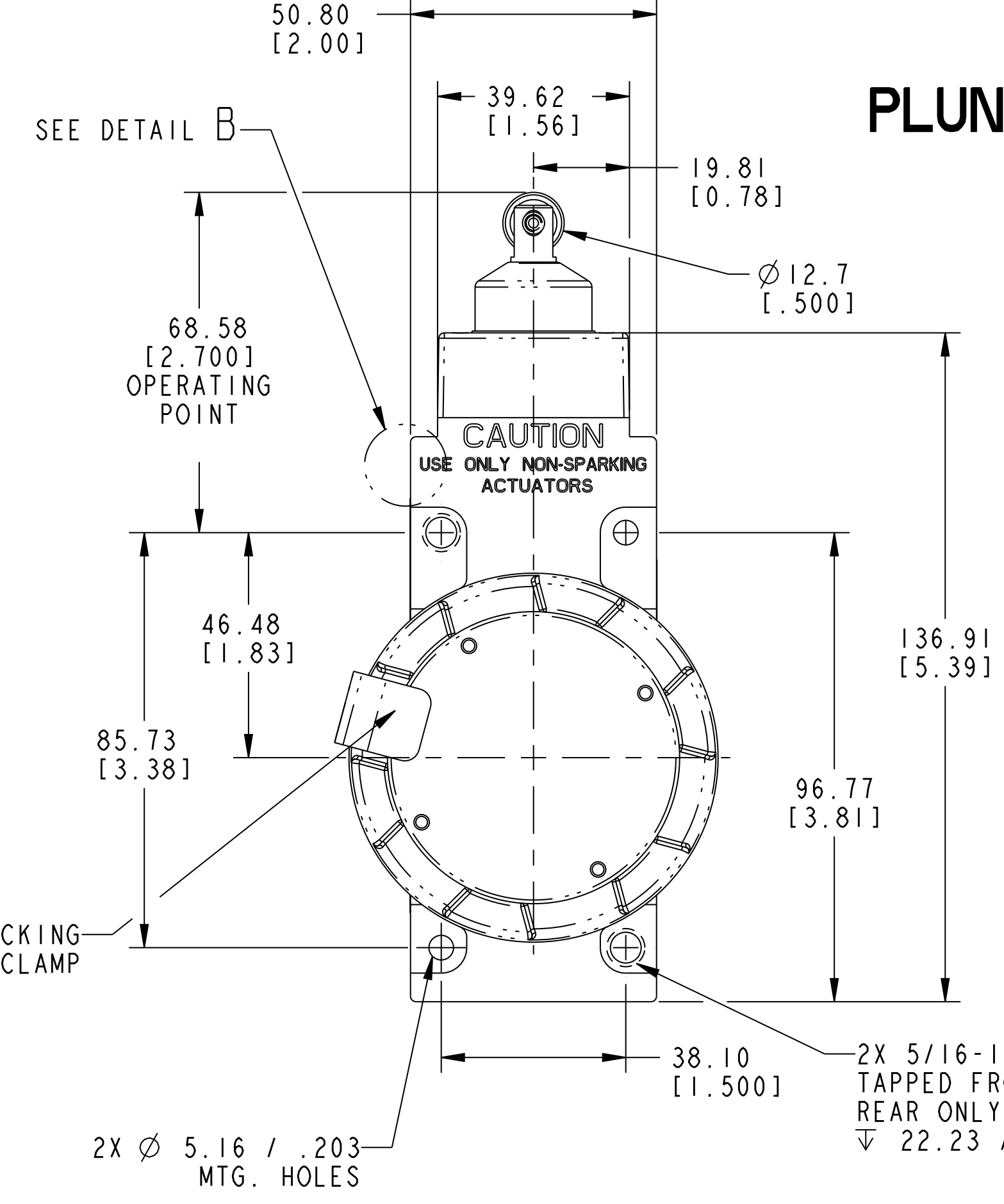
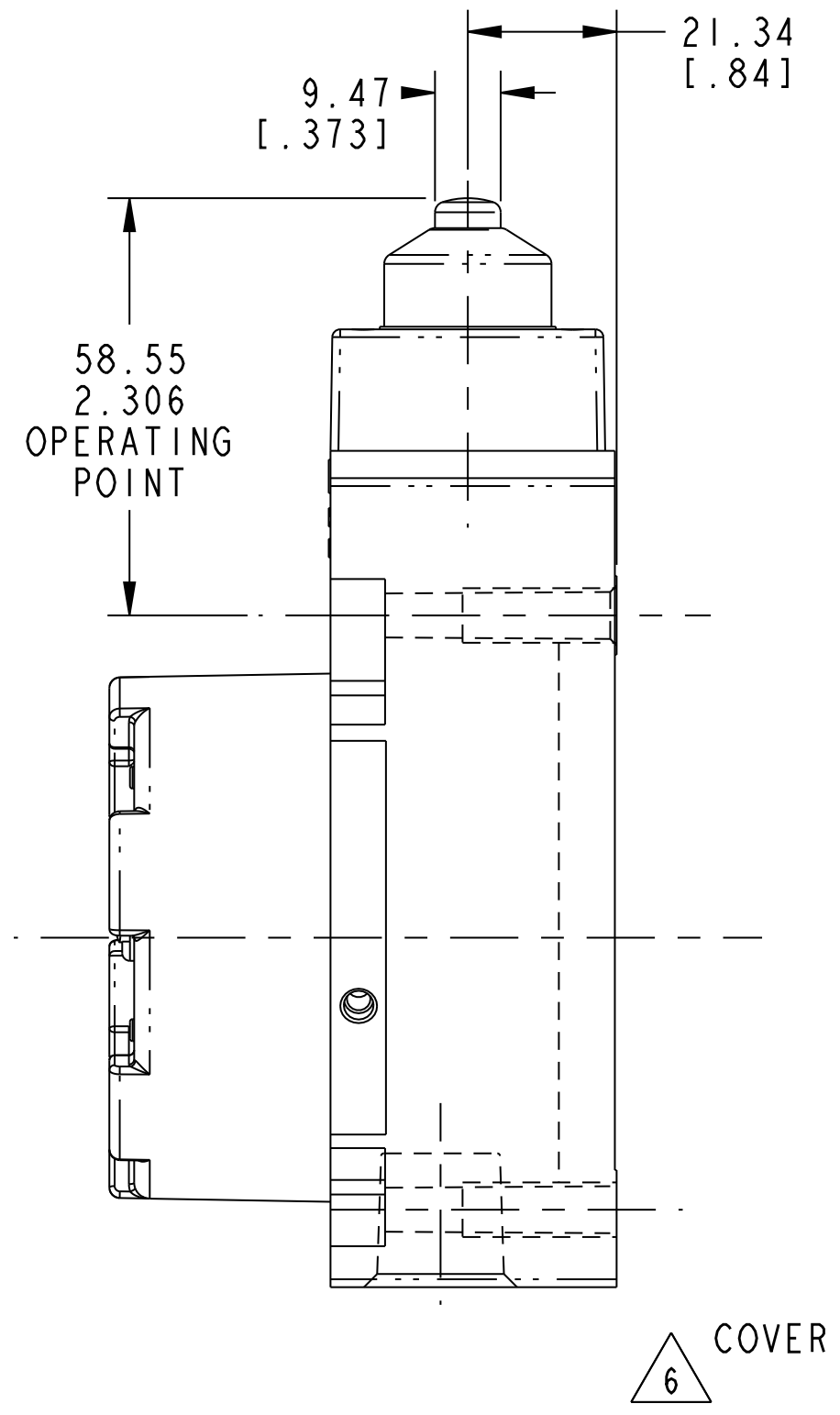
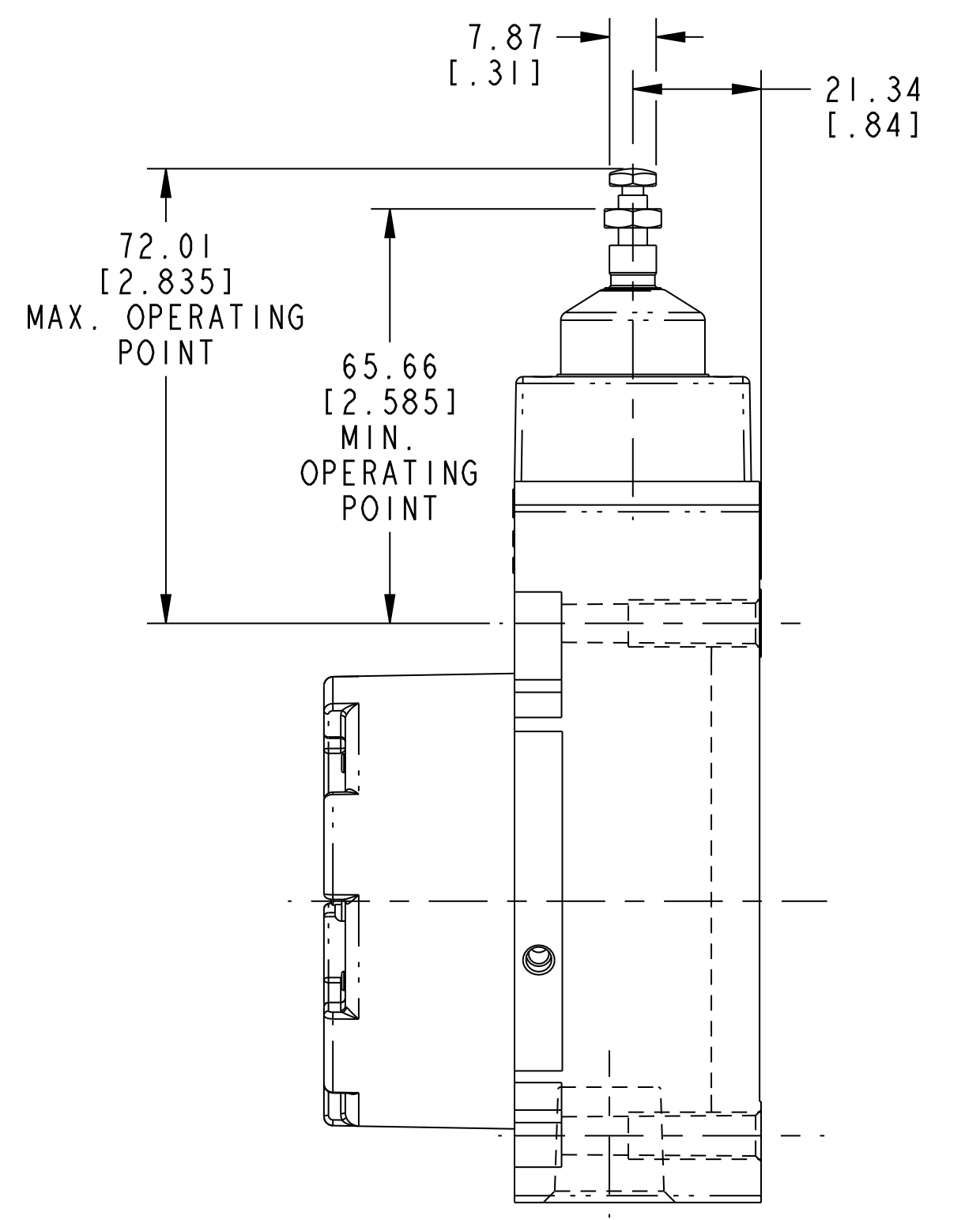


- * TYPE BXE (3&7) 1/2 -14 NPT CONDUIT ³
- TYPE BXE (1&4) 3/4 - 14 NPT CONDUIT ³
- TYPE BX3E (1 THRU 4) PG 13.5 CONDUIT
- TYPE BX4E (1 THRU 4) 20 MM CONDUIT
- TYPE BX5E (1 THRU 4) PF 1/2 CONDUIT

- * TYPE BXF (3&7) 1/2 -14 NPT CONDUIT ³
- TYPE BXF (1&4) 3/4 - 14 NPT CONDUIT ³
- TYPE BX3F (1 THRU 4) PG 13.5 CONDUIT
- TYPE BX4F (1 THRU 4) 20 MM CONDUIT
- TYPE BX5F (1 THRU 4) PF 1/2 CONDUIT

NOTES:
 1 - CONSTRUCTED IN ACCORDANCE WITH EN-50014 / EN - 50018 GROUP II C
 2 - VOLUME 27 CU. IN (442 CU. CM) APPROX. TOP ROTARY
 3 - EXPLOSION PROOF - UNDER WRITERS LAB INC. LISTED FOR HAZARDOUS LOCATIONS CLASS I, GROUPS B, C AND D; CLASS II GROUPS E, F, AND G.
 4 - SIRA CERTIFIED PRODUCTS. NO MODIFICATIONS PERMITTED WITHOUT REFERENCE TO SIRA.
 5 - CONFORMS TO EExd IIC TG
 CE 0518
 SIRA 00ATEX1037X
 CAT 112 GD
 6 - FURNISHED UNASSEMBLED IN A SEPARATE PLASTIC BAG.

THIS DRAWING COVERS A PROPRIETARY ITEM AND IS THE PROPERTY OF HONEYWELL. THIS DRAWING IS NOT TO BE COPIED OR USED WITHOUT THE PERMISSION OF HONEYWELL.				Honeywell	
SIZE	TYPE	CAGE CODE	DRAWING NAME	REV	
D	I	-	BX SERIES CHART 1	11	
SCALE	1 : 1			SHEET	2 OF 4



* TYPE BXV (3&7) 1/2 -14 NPT CONDUIT
 TYPE BXV (1&4) 3/4 - 14 NPT CONDUIT
 TYPE BX3V (1 THRU 4) PG 13.5 CONDUIT
 TYPE BX4V (1 THRU 4) 20 MM CONDUIT
 TYPE BX5V (1 THRU 4) PF 1/2 CONDUIT

* TYPE BX (C OR G) (3&7) 1/2 -14 NPT CONDUIT
 TYPE BX (C OR G) (1&4) 3/4 - 14 NPT CONDUIT
 TYPE BX3 (C OR G) (1 THRU 4) PG 13.5 CONDUIT
 TYPE BX4 (C OR G) (1 THRU 4) 20 MM CONDUIT
 TYPE BX5 (C OR G) (1 THRU 4) PF 1/2 CONDUIT

* TYPE BXD (3&7) 1/2 -14 NPT CONDUIT
 TYPE BXD (1&4) 3/4 - 14 NPT CONDUIT
 TYPE BX3D (1 THRU 4) PG 13.5 CONDUIT
 TYPE BX4D (1 THRU 4) 20 MM CONDUIT
 TYPE BX5D (1 THRU 4) PF 1/2 CONDUIT

OPERATING POINT GIVEN IN RELATION TO TOP MOUNTING HOLES

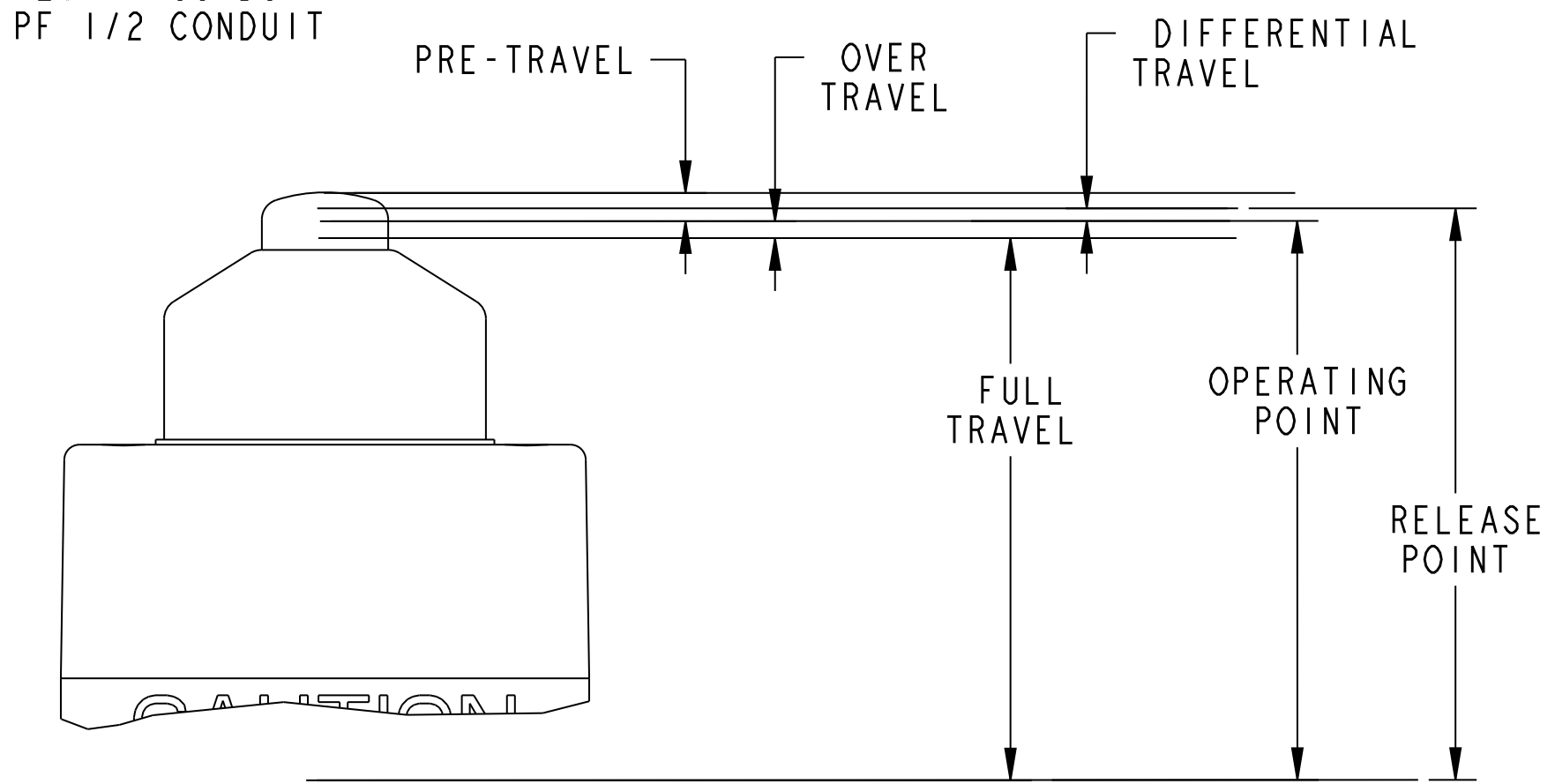
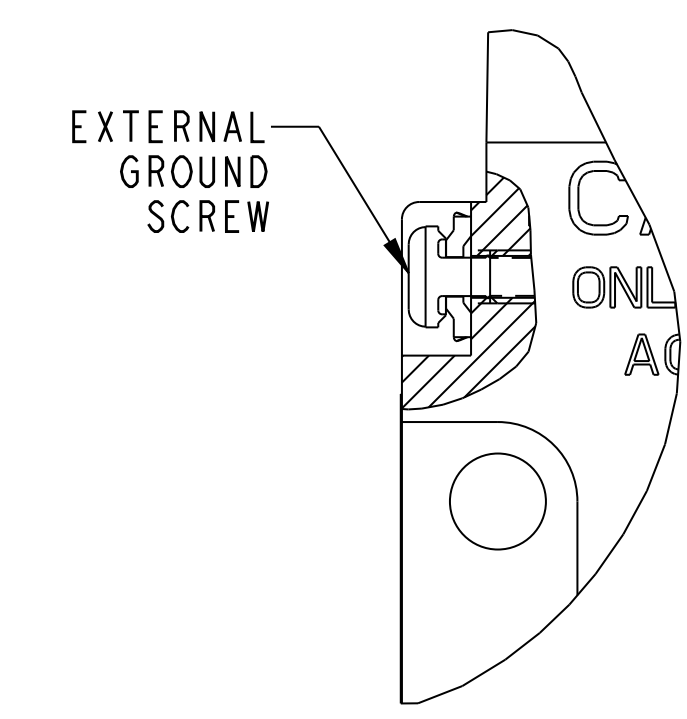
TOP PLUNGER TYPES

CHARACTERISTICS	BXC PLUNGER		BXD ROLLER PLUNGER		BXV ADJUSTABLE PLUNGER		SEQUENCE BASIC			BXG
	SINGLE POLE	DOUBLE POLE	SINGLE POLE	DOUBLE POLE	SINGLE POLE	DOUBLE POLE	BXC	BXD	BXV	
PRETRAVEL (MAX)	1.79 / .070		1.79 / .070		1.79 / .070		1ST STEP 1.79/.070 2ND STEP .41/.015 MIN ADDITIONAL.			1.79 / .070
DIFFERENTIAL TRAVEL (MAX)	.38/.015	0.51 / .020	0.38/.015	.51/.020			.38/.01 EACH STEP			.51 / .020
OVERTRAVEL (MIN)	4.83 / .190		4.83 / .190		4.83 / .190		4.32 / .170			4.83 / .190
OPERATING FORCE (MAX)	17.86 N / 4 LBS		17.86 N / 4 LBS		17.86 N / 4 LBS		17.86 N / 4 LBS			17.86 N / 4 LBS
OPERATING POINT	58.55 ± .76 / 2.305 ± .030		68.58 ± 1.02 / 2.700 ± .040		65.66 / 2.585 MIN 72.01 / 2.835 MAX		46.10 ± .76 / 1.815 ± .030 53.21 / 2.095 MIN. 56.13 ± 1.02 / 2.210 ± .040 59.56 / 2.345 MAX.			58.55 ± .76 / 2.305 ± .030
FULL OVERTRAVEL FORCE (MAX)	31.25 N / 7 LBS		31.25 N / 7 LBS		31.25 N / 7 LBS		31.25 N / 7 LBS			31.25 N / 7 LBS

OPERATING POINT GIVEN IN RELATION TO CENTER OF HEAD

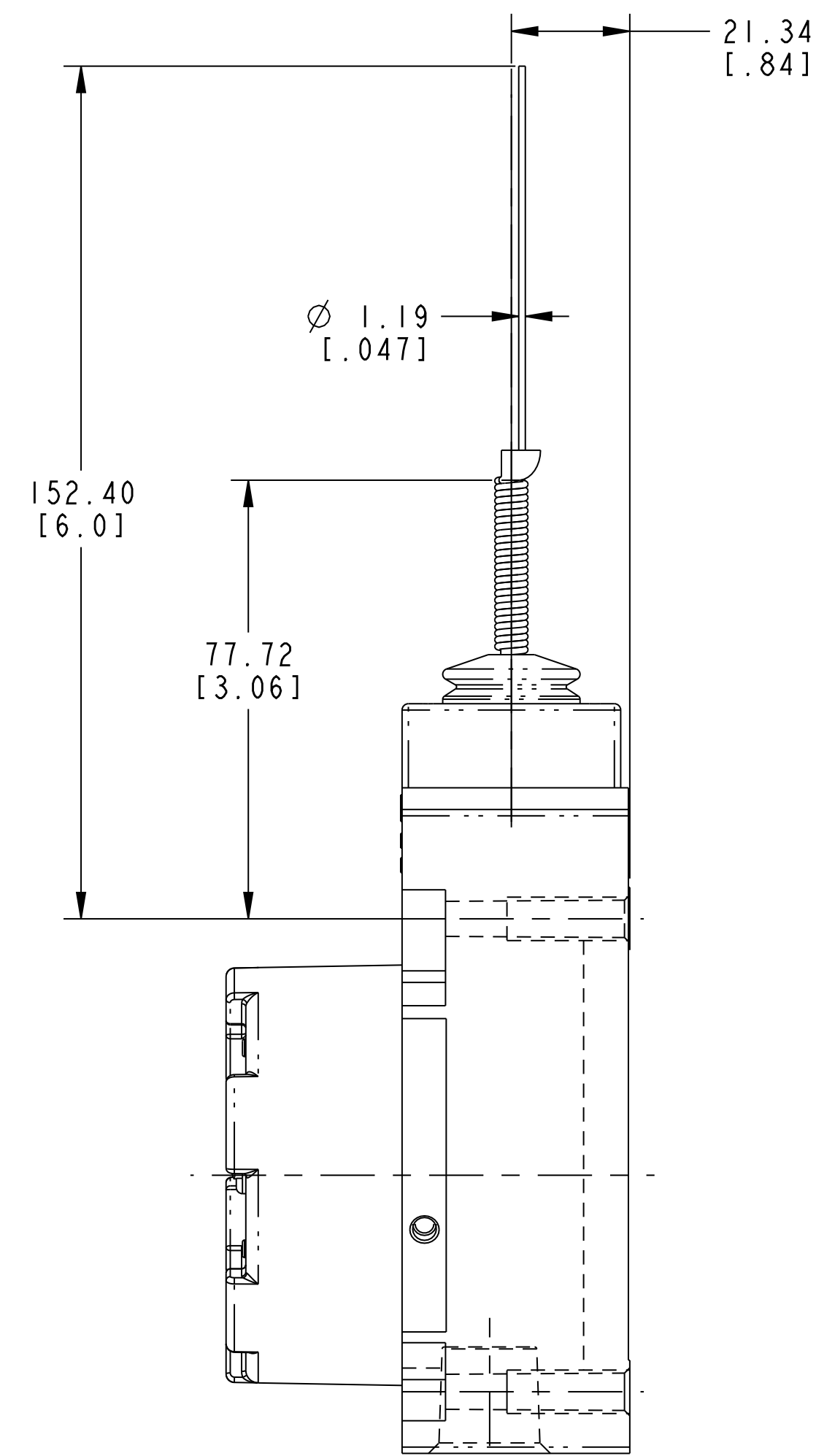
SIDE PLUNGER TYPES

CHARACTERISTICS	BXE PLUNGER		BXF ROLLER PLUNGER		BXW ADJUSTABLE PLUNGER		SEQUENCE BASIC		
	SINGLE POLE	DOUBLE POLE	SINGLE POLE	DOUBLE POLE	SINGLE POLE	DOUBLE POLE	BXE	BXF	BXW
PRE-TRAVEL (MAX)	2.54 / .100		2.54 / .100		2.54 / .100		1ST STEP 2.54 / .100 2ND STEP .51 / .020 MIN ADDITIONAL.		
DIFFERENTIAL TRAVEL (MAX)	1.14 / .045		1.14 / .045		1.14 / .045		.64 / .025 EACH STEP		
OVERTRAVEL (MIN)	4.83 / .190		4.83 / .190		4.83 / .190		4.32 / .170		
OPERATING FORCE (MAX)	26.79 N / 6 LBS		26.79 N / 6 LBS		26.79 N / 6 LBS		26.79 N / 6 LBS		
OPERATING POINT	33.02 ± .76 / 1.300 ± .030		44.07 ± 1.02 / 1.735 ± .040		41.02 / 1.615 MIN 47.37 / 1.665 MAX		33.27 ± .76 / 1.310 ± .030 44.32 ± 1.02 / 1.745 ± .040 41.28 / 1.625 MIN. 47.63 / 1.875 MAX.		
FULL OVERTRAVEL FORCE (MAX)	26.79 N / 6 LBS		26.79 N / 6 LBS		26.79 N / 6 LBS		26.79 N / 6 LBS		



- NOTES:
 1 - CONSTRUCTED IN ACCORDANCE WITH EN-50014 / EN - 50018 GROUP II C
 2 - VOLUME 27 CU. IN (442 CU. CM) APPROX. TOP AND SIDE PLUNGER
 3 - EXPLOSION PROOF - UNDER WRITERS LAB INC. LISTED FOR HAZARDOUS LOCATIONS CLASS I, GROUPS B,C AND D; CLASS II GROUPS E,F, AND G.
 4 - SIRA CERTIFIED PRODUCTS. NO MODIFICATIONS PERMITTED WITHOUT REFERENCE TO SIRA.
 5 - CONFORMS TO EExd IIC TG SIRA 00ATEX1037X CAT 112 GD.
 6 - FURNISHED UNASSEMBLED IN A SEPARATE PLASTIC BAG.

CAT WHIKER



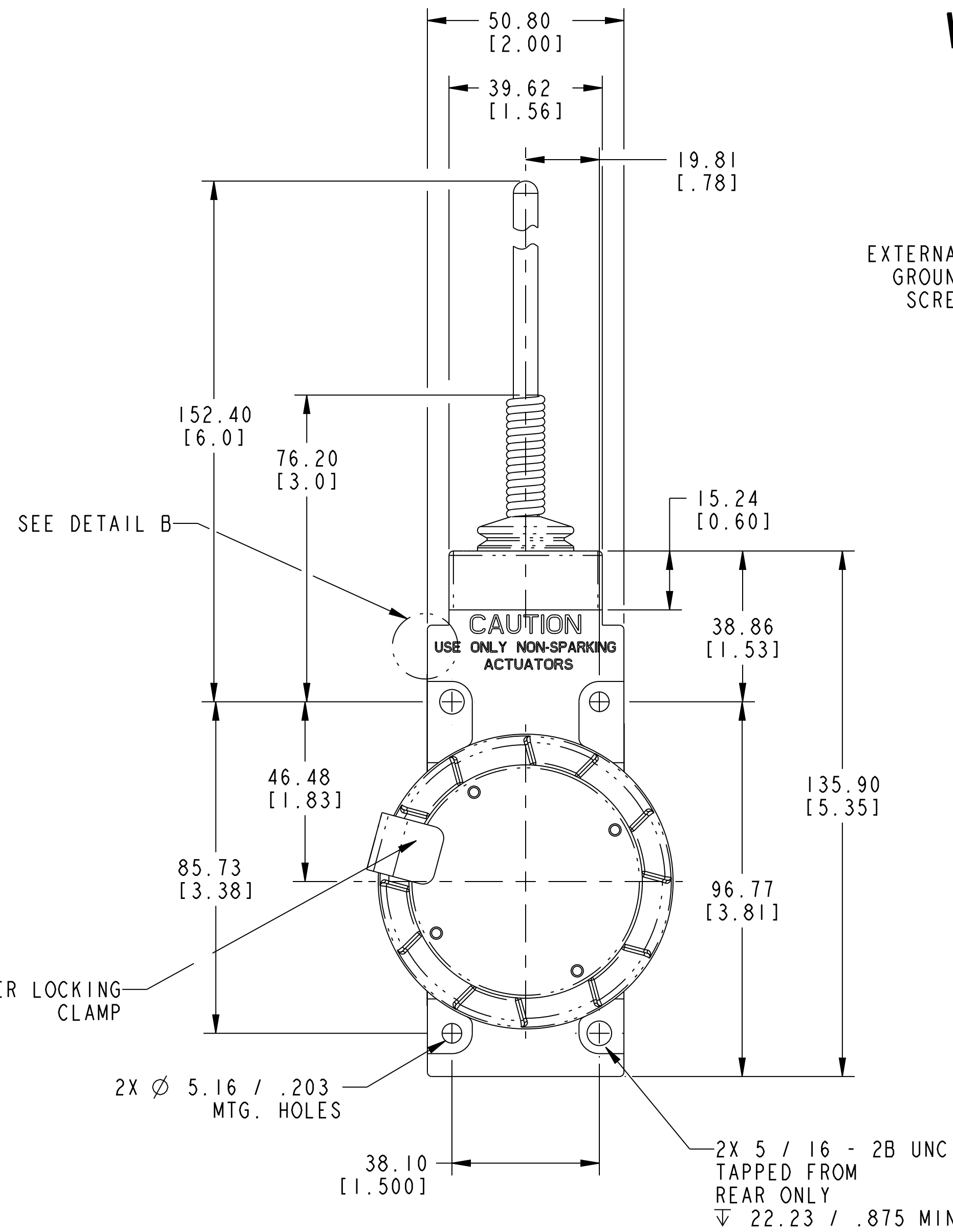
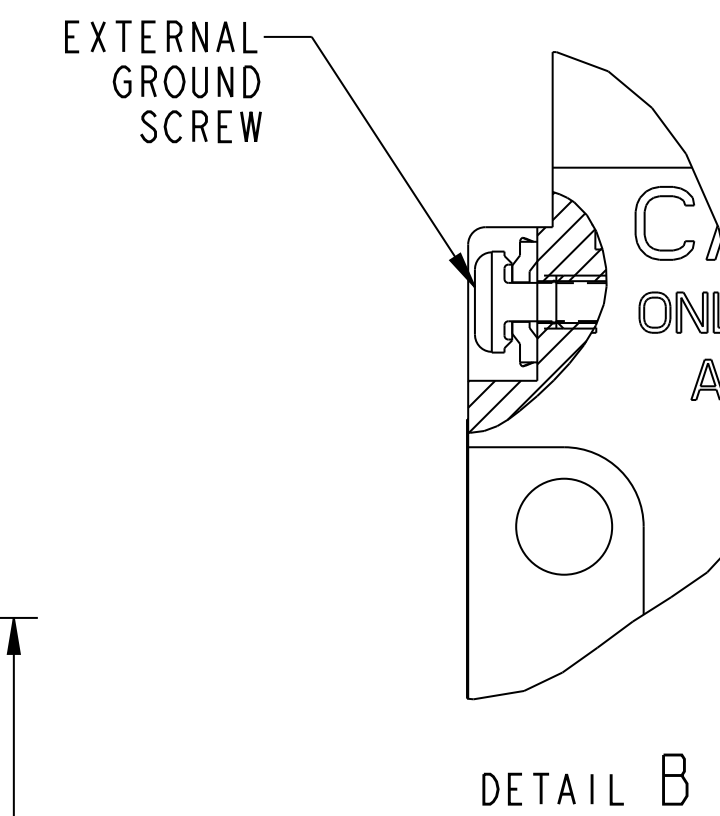
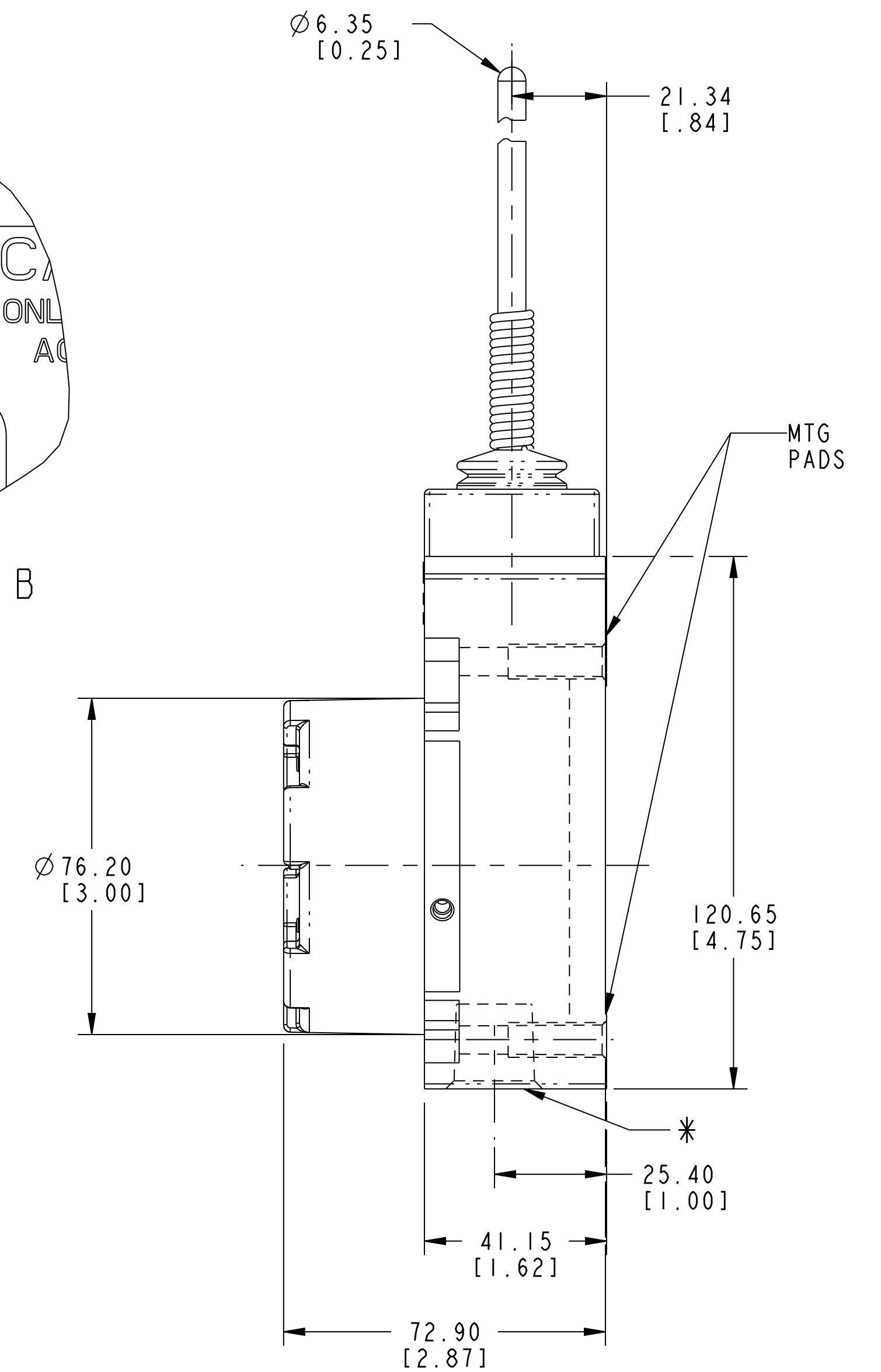
WIRE EXTENSION
TYPE 8A ACTUATOR

- TYPE BXK (3&7) 1/2 -14 NPT CONDUIT ³
- TYPE BXK (1&4) 3/4 - 14 NPT CONDUIT ³
- TYPE BX3K (1 THRU 4) PG 13.5 CONDUIT
- TYPE BX4K (1 THRU 4) 20 MM CONDUIT
- TYPE BX5K (1 THRU 4) PF 1/2 CONDUIT

REPLACEMENT ACTUATOR
LSXZ4012

	CAT WHISKER	WOBBLE STICK
PRETRAVEL (APPROX) IN RADIUS	6 IN WIRE 50.80 2.0	ROD 25.40 1.0
OPERATING FORCE - OZ (MAX)	1.4 N 5.0	2.8 N 10.0

WOBBLE STICK



PLASTIC EXTENSION
TYPE 7A ACTUATOR

- TYPE BXJ (3&7) 1/2 -14 NPT CONDUIT ³
- TYPE BXJ (1&4) 3/4 - 14 NPT CONDUIT ³
- TYPE BX3J (1 THRU 4) PG 13.5 CONDUIT
- TYPE BX4J (1 THRU 4) 20 MM CONDUIT
- TYPE BX5J (1 THRU 4) PF 1/2 CONDUIT

REPLACEMENT ACTUATOR
LSZ4009

- NOTES:
- 1 - CONSTRUCTED IN ACCORDANCE WITH EN-50014 / EN - 50018 GROUP II C
 - 2 - VOLUME 27 CU.IN(442 CU.CM) APPROX.
 - ³- EXPLOSION PROOF - UNDER WRITERS LAB INC. LISTED FOR HAZARDOUS LOCATIONS CLASS I, GROUPS B,C AND D; CLASS II GROUPS E,F, AND G.
 - 4 - SIRA CERTIFIED PRODUCTS. NO MODIFICATIONS PERMITTED WITHOUT REFERENCE TO SIRA.
 - 5 - CONFORMS TO EExd IIC TG
CE 0518
SIRA 00ATEX1037X
CAT 112 GD.
 - ⁶- FURNISHED UNASSEMBLED IN A SEPARATE PLASTIC BAG.