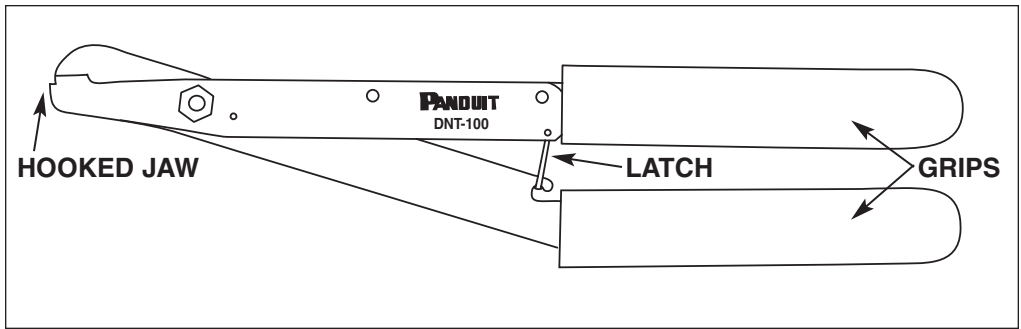


DNT-100

OPERATION INSTRUCTIONS

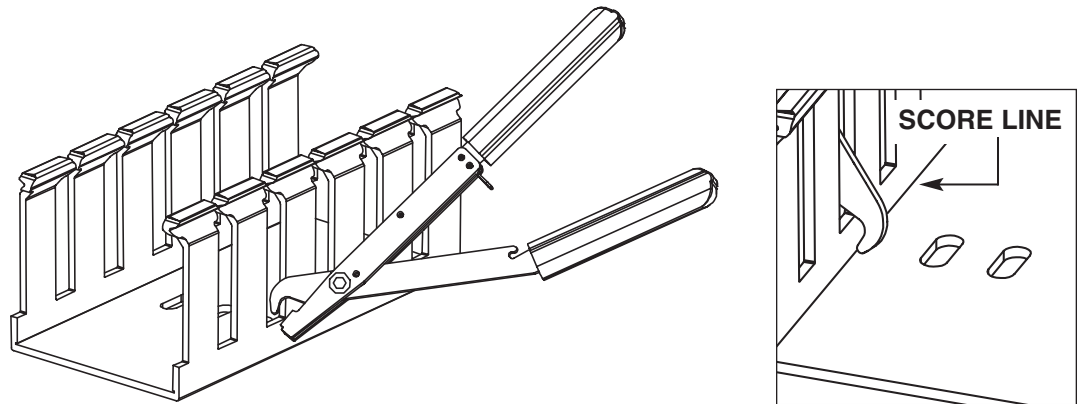
© Panduit Corp. 2005

WIRE DUCT NOTCHING TOOL

Part No. DNT-100**PANDUCT Plastic Wiring Duct**

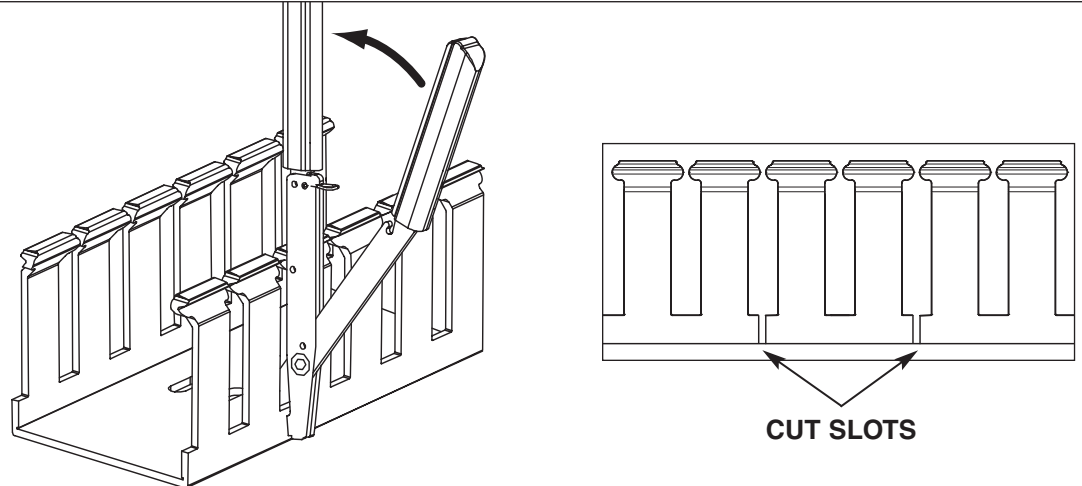
STEP 1

- Determine number of fingers (section) to be removed from duct.
- Insert hooked jaw (as shown) into the slot adjacent to the first finger to be removed.
- Seat hooked jaw into score line at base of duct.



STEP 2

- Close jaws to cut a slot next to the finger. Repeat at other side of section to be removed.
(continued on Page 2)

**TOOL MAINTENANCE:** This tool requires no special maintenance.**NOTE:** This precision tool has been engineered and designed for use with *PANDUCT* Plastic Wiring Duct. It is not intended for use with other products or materials.

DNT-100 OPERATION INSTRUCTIONS

STEP 3 - REMOVING SECTION

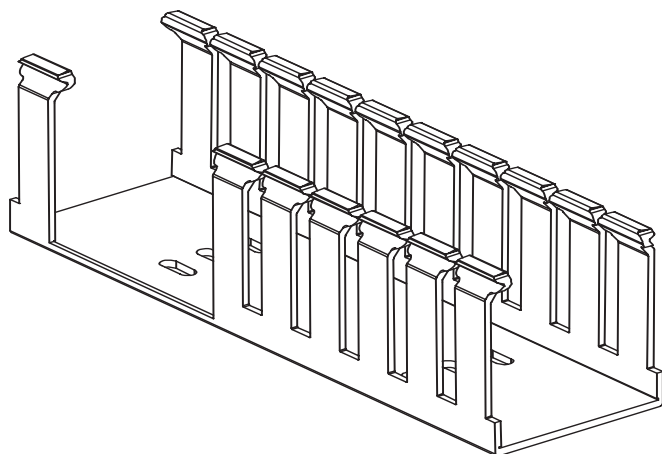
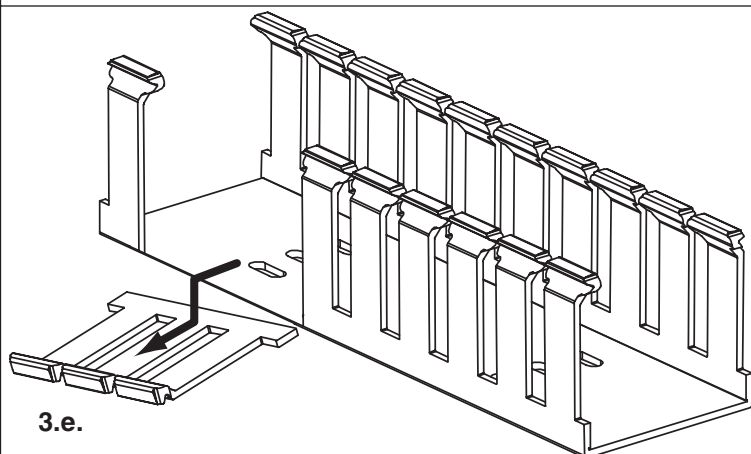
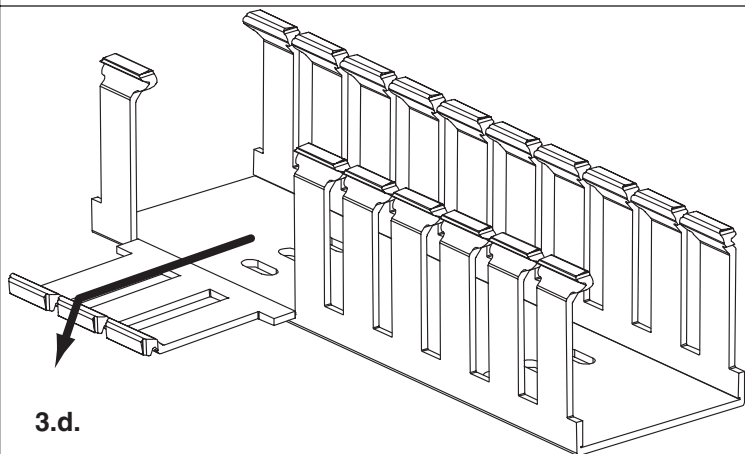
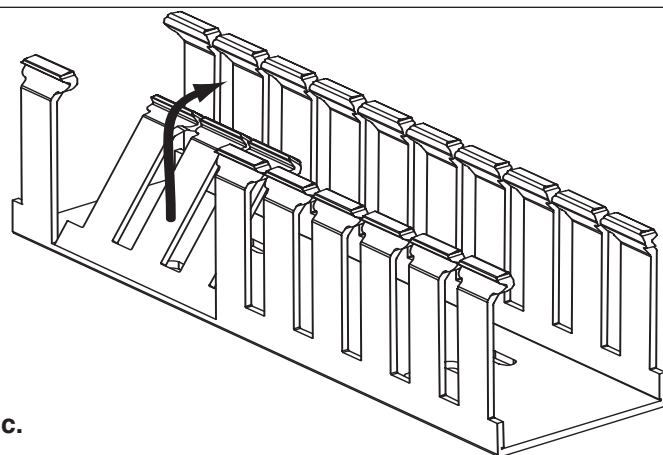
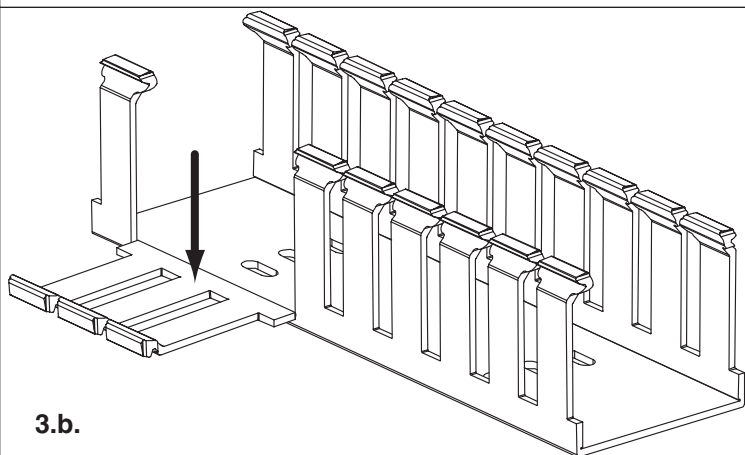
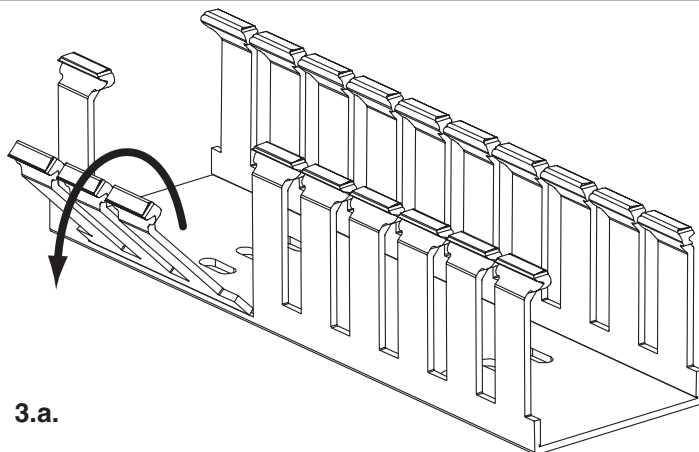
3.a. Bend section outward

3.b. Push down and fold at score line

3.c. Bend back inward

3.d. Bend back outward

3.e. Snap off at score line



Leaves a smooth consistent edge.