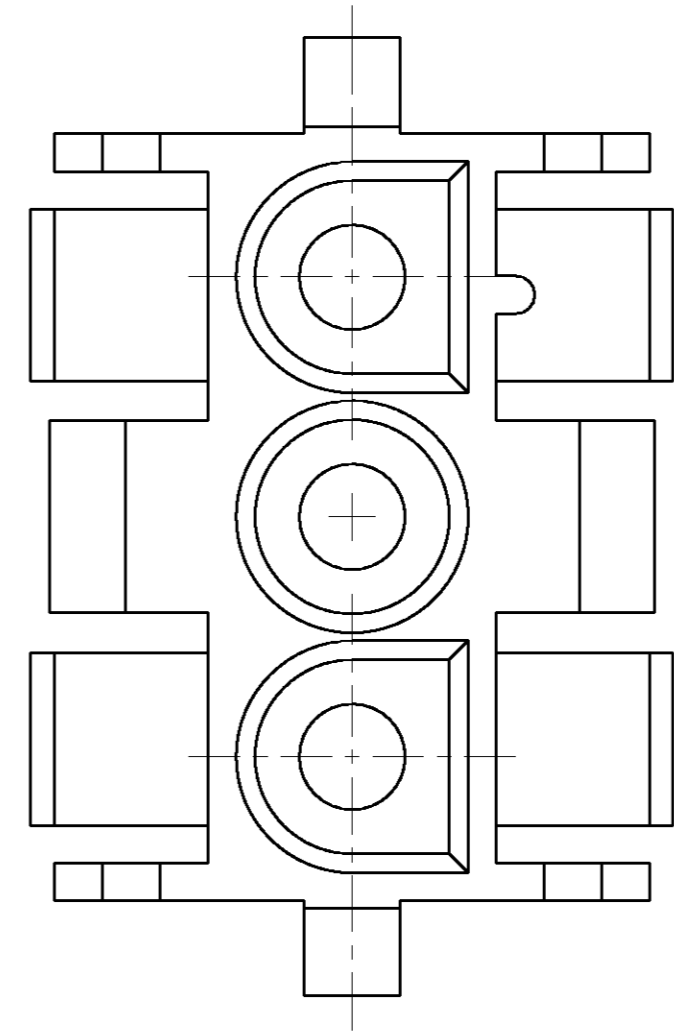
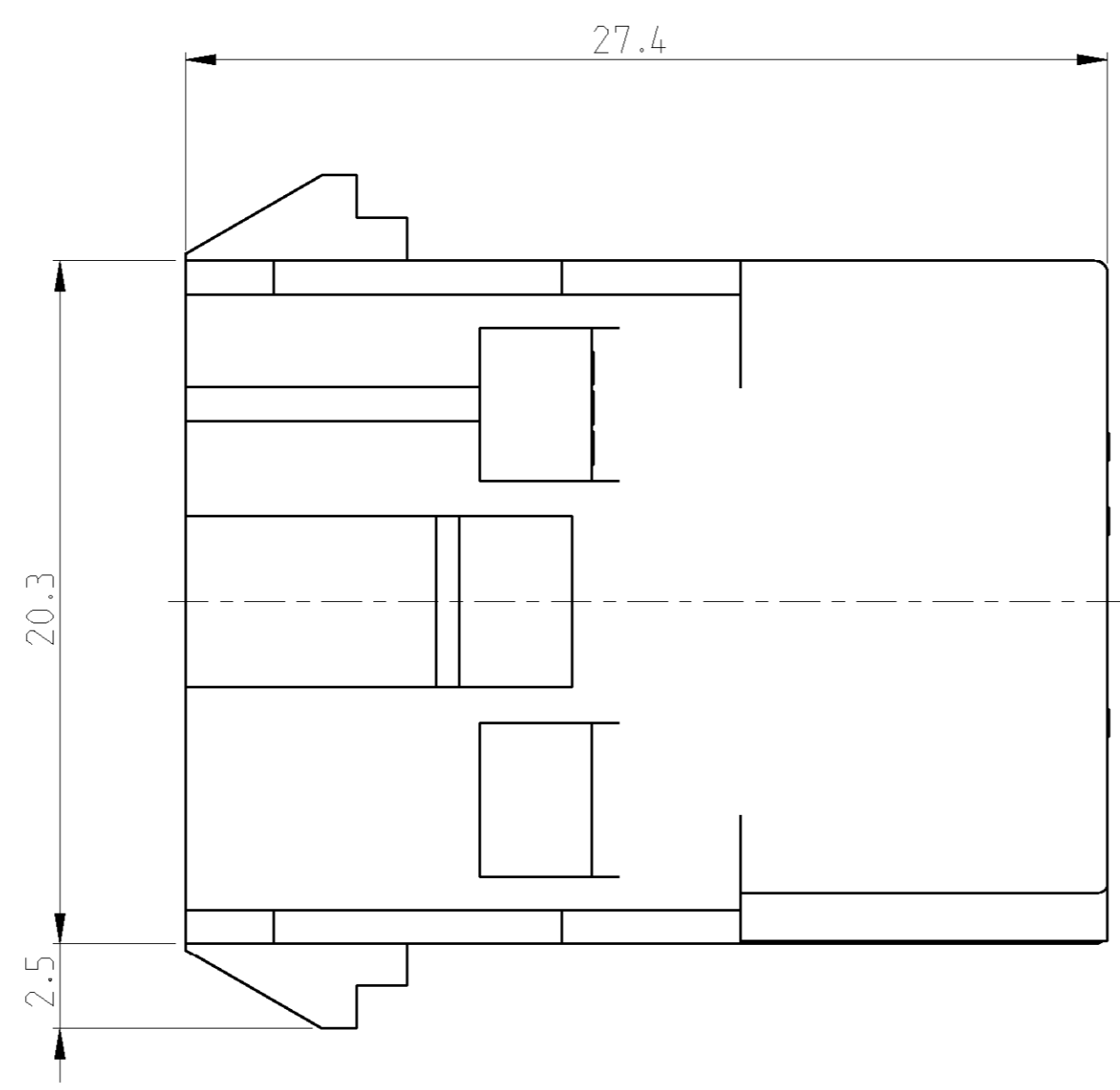
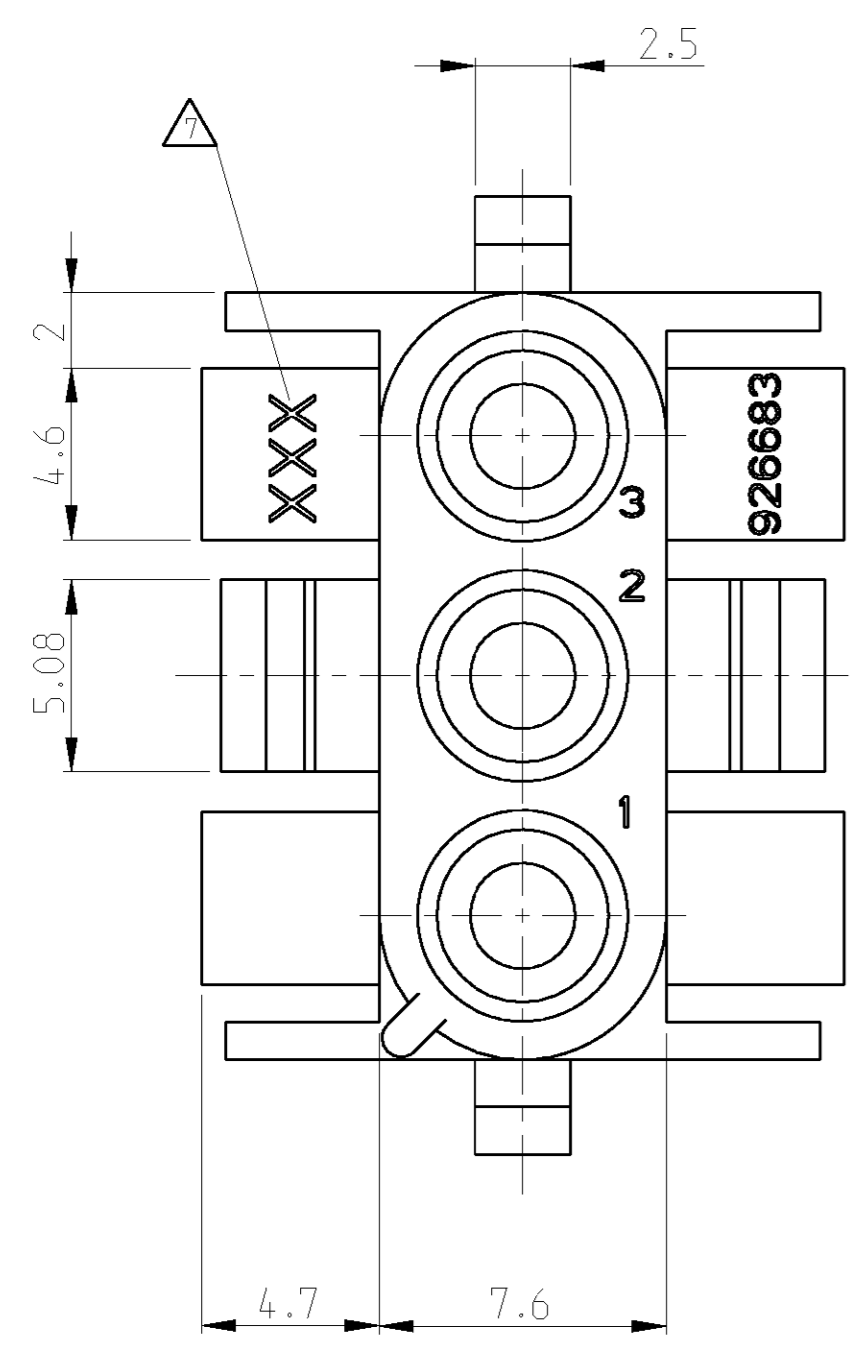
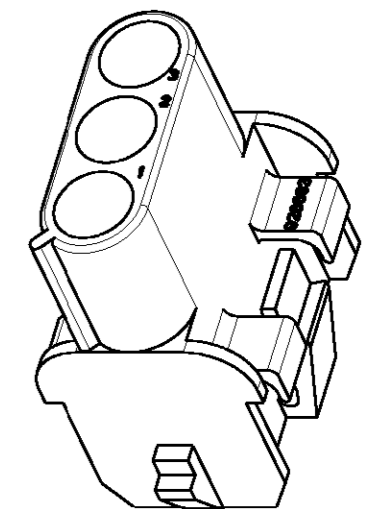
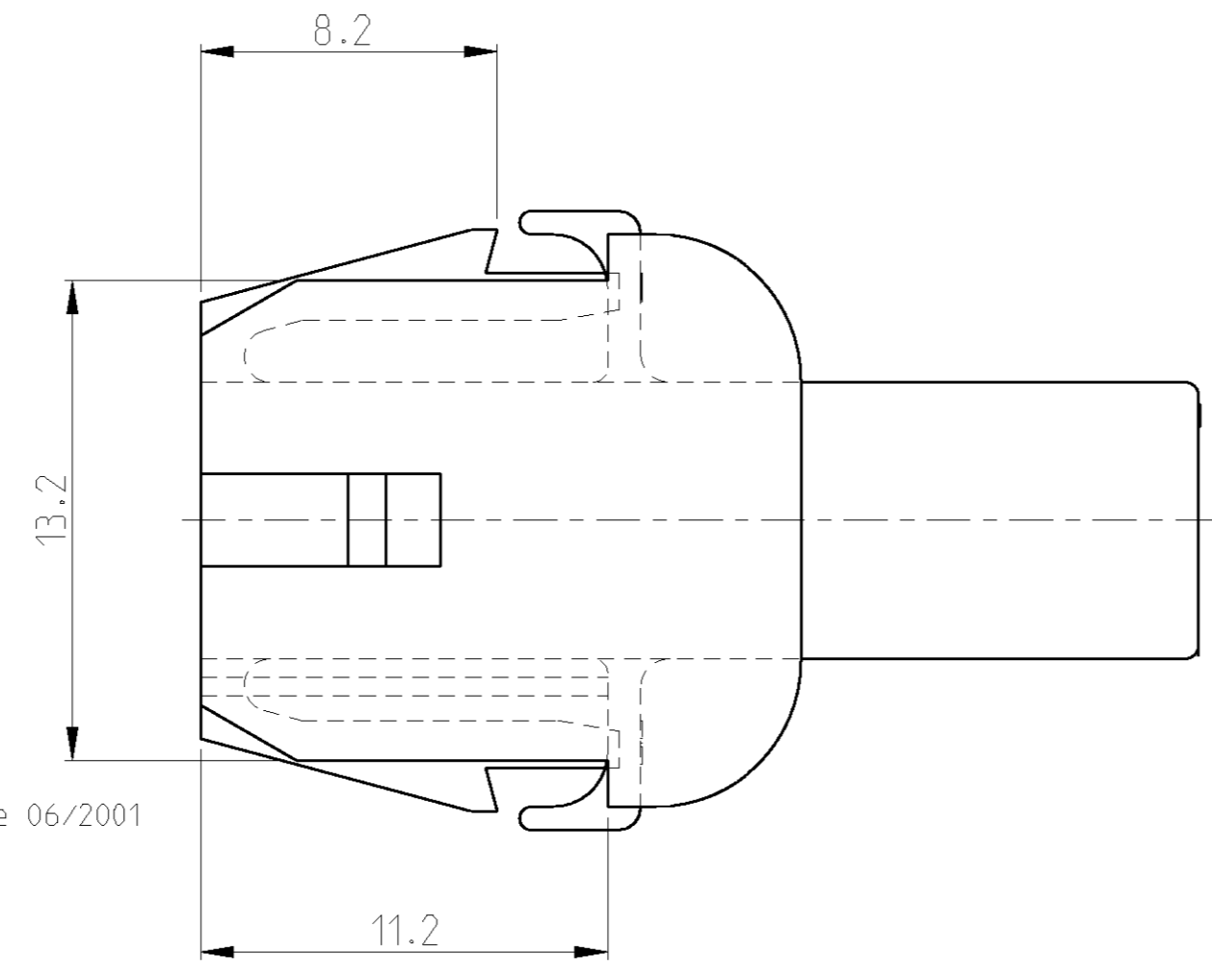
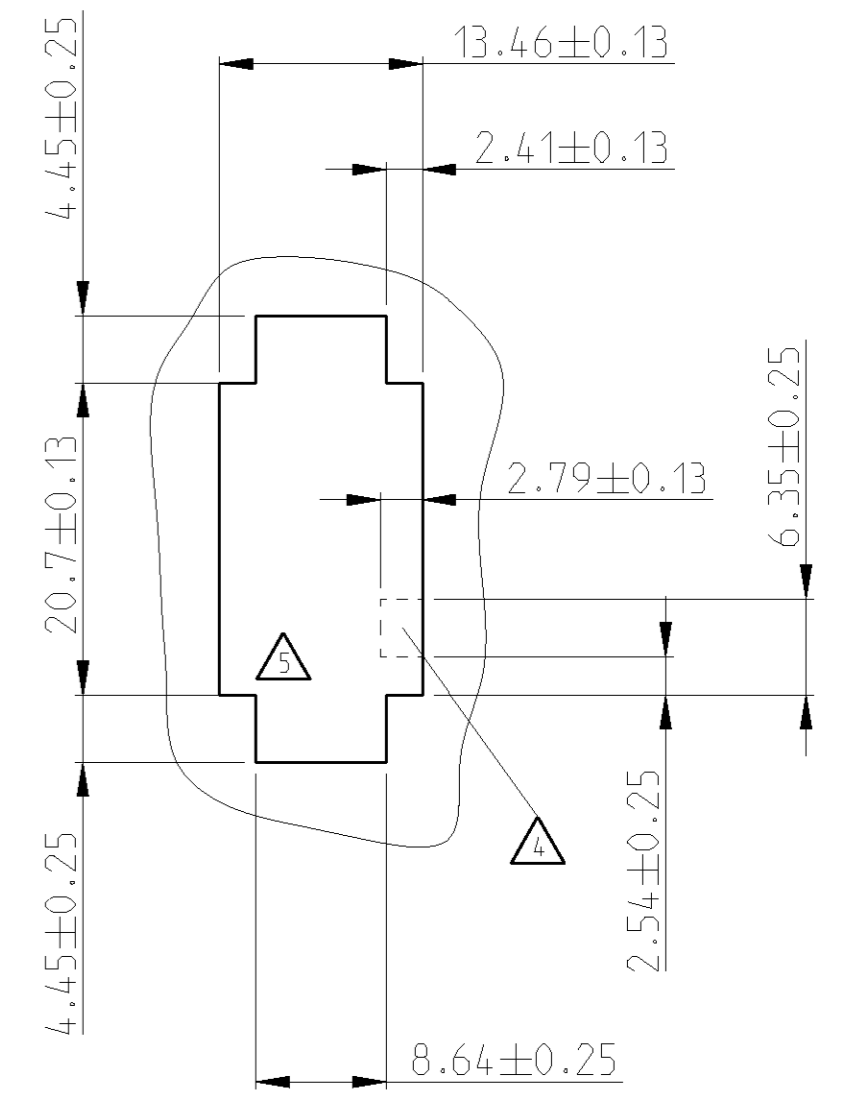


THIS DRAWING IS UNPUBLISHED. RELEASED FOR PUBLICATION 2003
 © COPYRIGHT 2003 BY TYCO ELECTRONICS CORPORATION. ALL RIGHTS RESERVED.

LOC	DIST	REVISIONS					
		P	LTR	DESCRIPTION	DATE	DWN	APVD
A1	-	D2		CAD-Zeichnung erstellt	04MAR2003	Abr	H.K.
		D3		PN -7 Added	03NOV2007	W.H.	W.H.
		D4		REVISED PER ECO-09-026495	06FEB10	KK	HMR



Montageausschnitt/PANEL CUT OUT
 Bestückungsseite/LOADING SIDE
 M 2:1 / SCALE 2:1



- Bemerkungen
 NOTES
- Geeignet für UMNL Stift- und Buchsenkontakte
 BEEN SUITABLE FOR UMNL PIN- AND SOCKET CONTACTS
 - Empfohlene Blechstärke 0.75 - 2.3 mm
 RECOMMEND SHEET METAL THICKNESS 0.75 - 2.3 mm
 - Gehäuse muß in Stanzrichtung eingeführt werden
 HOUSING MUST BE INTRODUCED TO PUNCHING DIRECTION
 - Für verschlüsseltes Einsetzen der Gehäuse
 FOR CODED USING OF THE HOUSINGS
 - Position von Kammer 1 bei verschlüsseltem Einsetzen
 POSITION OF CAVITY 1 FOR CODED USING
 - Neues Material (Phosphor und Halogen frei)
 NEW MATERIAL (PHOSPHORUS AND HALOGENOUS FREE)
 - Hersteller-Logo und Ländercode
 nach AMP-Spez. 115-18016
 BRANDNAME AND MANUFACTURING LOCATION CODE
 ACCORDING SPEC. 115-18016
 - Glühdrahtprüfung 750 ° (ohne Flamme) nach IEC 60335-1 Ausgabe 06/2001
 GWT 750 ° (WITHOUT FLAME) ACC. 60335-1 EDITION 06/2001
 - Schüttgut in Beutel und Versandkarton
 BULK PACKAGING IN PLASTIC BAG AND CORRUGATED SHIPPING BOX
 - OBSOLETE PARTS: OBSOLETE CIS STREAMLINING PER D.RENAUD/D.SINISI**

OBSOLETE

926683-7	A	PA6 UL 94 V2	natur/NATURAL	8
926683-6	D	PA6.6 UL94 V-2 ZYTEL E103 HSL	natur/NATURAL	
926683-5	D	PA6.6 UL94 V-2 ZYTEL ...135F	natur/NATURAL	
926683-4	D	PA6.6 UL94 V-2 ZYTEL ...135F	weiß/WHITE	
926683-3	D	PA6.6 UL94 V-0 ULTRAMID C3U	natur/NATURAL	6
926683-2	D	PA6.6 UL94 V-2 ZYTEL ...135F	schwarz/BLACK	
926683-1	D	PA6.6 UL94 V-2 ZYTEL EFE 1030-NC10	natur/NATURAL	
PART NO.	REV.	MATERIAL	COLOR	

THIS DRAWING IS A CONTROLLED DOCUMENT FOR TYCO ELECTRONICS CORPORATION IT IS SUBJECT TO CHANGE AND THE CONTROLLING ENGINEERING ORGANIZATION SHOULD BE CONTACTED FOR THE LATEST REVISION.		DWN Abraham.G. 04MAR03	tyco Electronics AMP GmbH D - 64625 Bensheim	
DIMENSIONS: mm		CHK Kampmann.H. 05MAR03	NAME 3-pol.UMNL Aufnahmegehäuse UMNL 3-WAY CAP HOUSING	
TOLERANCES UNLESS OTHERWISE SPECIFIED: 0 PLC ± 0.2 mm 2 PLC ± 0.2 mm 3 PLC ± 0.2 mm 4 PLC ± 0.2 mm ANGLES ±		APVD I.Gerlach 03NOV07	PRODUCT SPEC 108-1031	
MATERIAL see table		APPLICATION SPEC 114-18011	RESTRICTED TO -	
		WEIGHT 3.8 g	SIZE A2	CAGE CODE 00779
		CUSTOMER DRAWING	DRAWING NO 926683	SHEET 1 OF 1
		SCALE 5:1	REV D4	