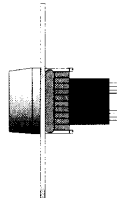
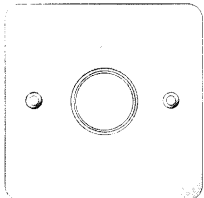


Specification & technical data

A complete range of high specification push button and key operated switches, designed with performance, aesthetics and durability in mind. Specifically designed for use with access control systems or electronic locking installations where a degree of resistance to vandalism is required or a high traffic usage is expected. Variations include LED indicators, momentary or maintained contacts, flush or surface mounting, and in most cases a narrow stile option is also available.

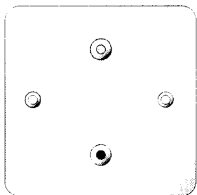


Specification

3E0650 Illuminated button, momentary contact.
3E0651 Illuminated button, maintained contact.
Narrow stile: add suffix **NS**.

Technical Data

Operation: Push button with Normally Open and Normally Closed contacts.
Switch rating: 2 Amps @ 12vDC / 24vDC
Illumination: T5.5 bayonet filament bulb.
Mechanical life: Momentary 1 million operations - Maintained 2 million operations.
IP 67 rated from front only.

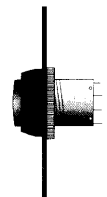
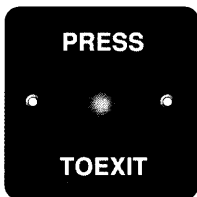


Specification

3E0654 Indicator plate only with red & green LED's.
Narrow stile: add suffix **NS**.

Technical Data

Restored to allow operation between 12 to 24vDC

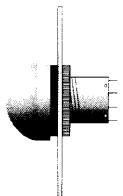


Specification

3E0656 Raised green exit button, momentary contact.
Narrow stile: add suffix **NS**.

Technical Data

Operation: Push button with Normally Open and Normally Closed contacts.
Switch rating: 2 Amps @ 12vDC / 24vDC
Mechanical life: 1 million operations.
IP 67 rated from front only.

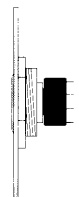


Specification

3E0657 Green dome exit button, momentary contact.

Technical Data

Operation: Push button with Normally Open and Normally Closed contacts.
Switch rating: 2 Amps @ 12vDC / 24vDC
Mechanical life: 1 million operations.
IP 67 rated from front only.



Specification

3E0658 19mm vandal resistant stainless steel button, momentary contact.
Narrow stile: add suffix **NS**.

Technical Data

Operation: Push button with Normally Open and Normally Closed contacts.
Switch rating: 2 Amps @ 12vDC / 24vDC
Mechanical life: 1 million operations.
IP 67 rated from front only.

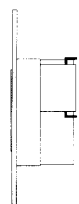
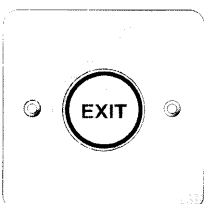


Specification

3E0659 25mm vandal resistant stainless steel button, momentary contact.

Technical Data

Operation: Push button with Normally Open and Normally Closed contacts.
Switch rating: 2 Amps @ 12vDC / 24vDC
Mechanical life: 1 million operations.
IP 67 rated from front only.

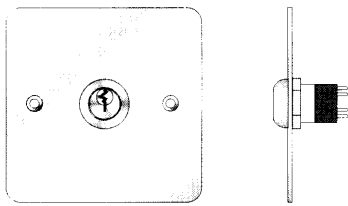


Specification

3E0666 Heavy duty illuminated exit button, momentary contact.

Technical Data

Operation: Push button with Normally Open and Normally Closed contacts.
Switch rating: 2 Amps @ 12vDC / 24vDC
IP 43 rated from front only.

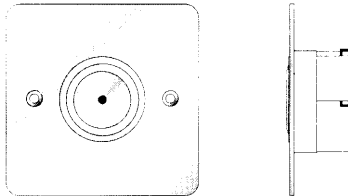


Specification

3E0660 Keyswitch, momentary contact supplied with 2 keys.
 3E0661 Keyswitch, maintained contact supplied with 2 keys.
 Narrow stile: add suffix **NS**.

Technical Data

Operation: Key operated switch with Normally Open and Normally Closed contacts.
 Switch rating: 2 Amps @ 12vDC / 24vDC

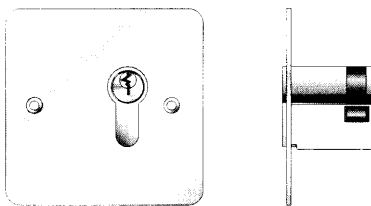


Specification

3E0672 Illuminated vandal resistant, stainless steel exit button, momentary contact.

Technical Data

Operation: Push button with Normally Open and Normally Closed contacts.
 Switch rating: 2 Amps @ 12vDC / 24vDC
 IP 43 rated from front only.

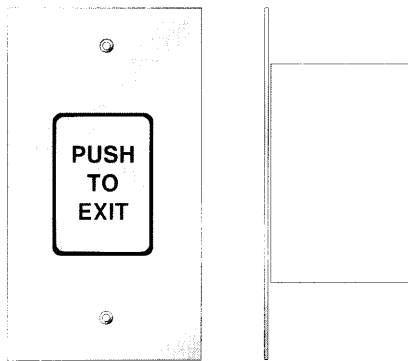


Specification

3E0668 Euro-profile keyswitch, momentary contact.
 3E0669 Euro-profile keyswitch, maintained contact.

Technical Data

Operation: Euro-profile cylinder operated switch with Normally Open and Normally Closed Change Over contacts. Cylinder to be ordered separately or supplied as part of a suite by the installer. Cylinder must be 'A' length (approx 38 - 40mm o/a) and must have a location adjustable cam.
 Switch rating: 4 Amps @ 12vDC / 24vDC



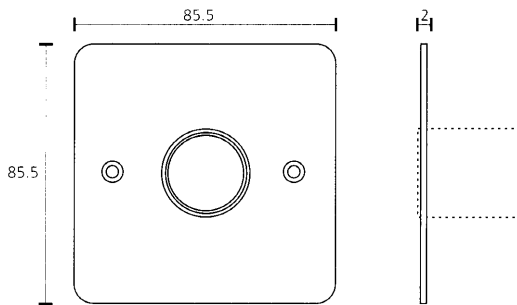
Specification

3E0667 Heavy duty stainless steel exit switch, momentary contact.

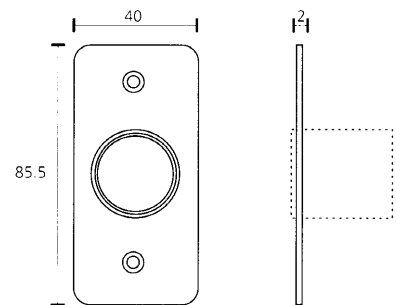
Technical Data

Operation: Push action switch with Normally Open and Normally closed contacts.
 Switch rating: 2 Amps @ 12vDC / 24vDC
 Mechanical life: 1 million operations.
 Dimensions: 191 x 105 x 2mm plate with 120 x 84 x 75mm deep backbox.
 IP54 rated from front only.

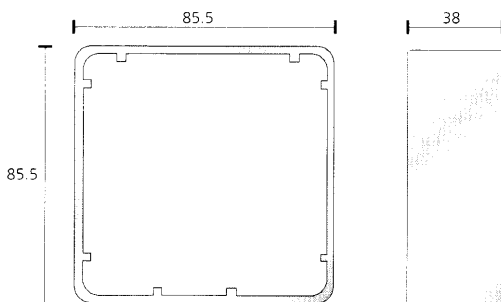
Dimensional data (All dimensions shown in millimetres)



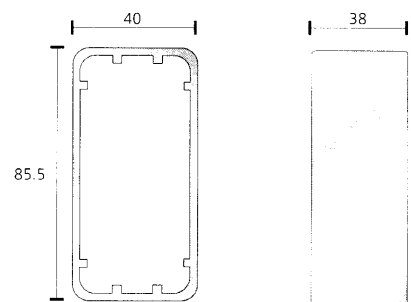
Standard 1 gang plate dimensions



Narrow stile plate dimensions



3E0610-1 1 gang surface housing, simulated satin stainless steel.



3E0620-1 Narrow stile surface housing, simulated satin stainless steel.

