

**MICRO SWITCH**

A DIVISION OF MINNEAPOLIS-HONEYWELL REGULATOR COMPANY  
PASCAGO, MINNESOTA  
FED. MFR CODE 91929

**SWITCH - BASIC**

CATALOG LISTING

**BZ-2RW824-A2**

**M BZ-2RW824-A2**

PAGE 1 OF 1

DRAWING NUMBER

ISSUE

9

REPLACES

RELEASE NO

CHECK

CHECK

CHECK

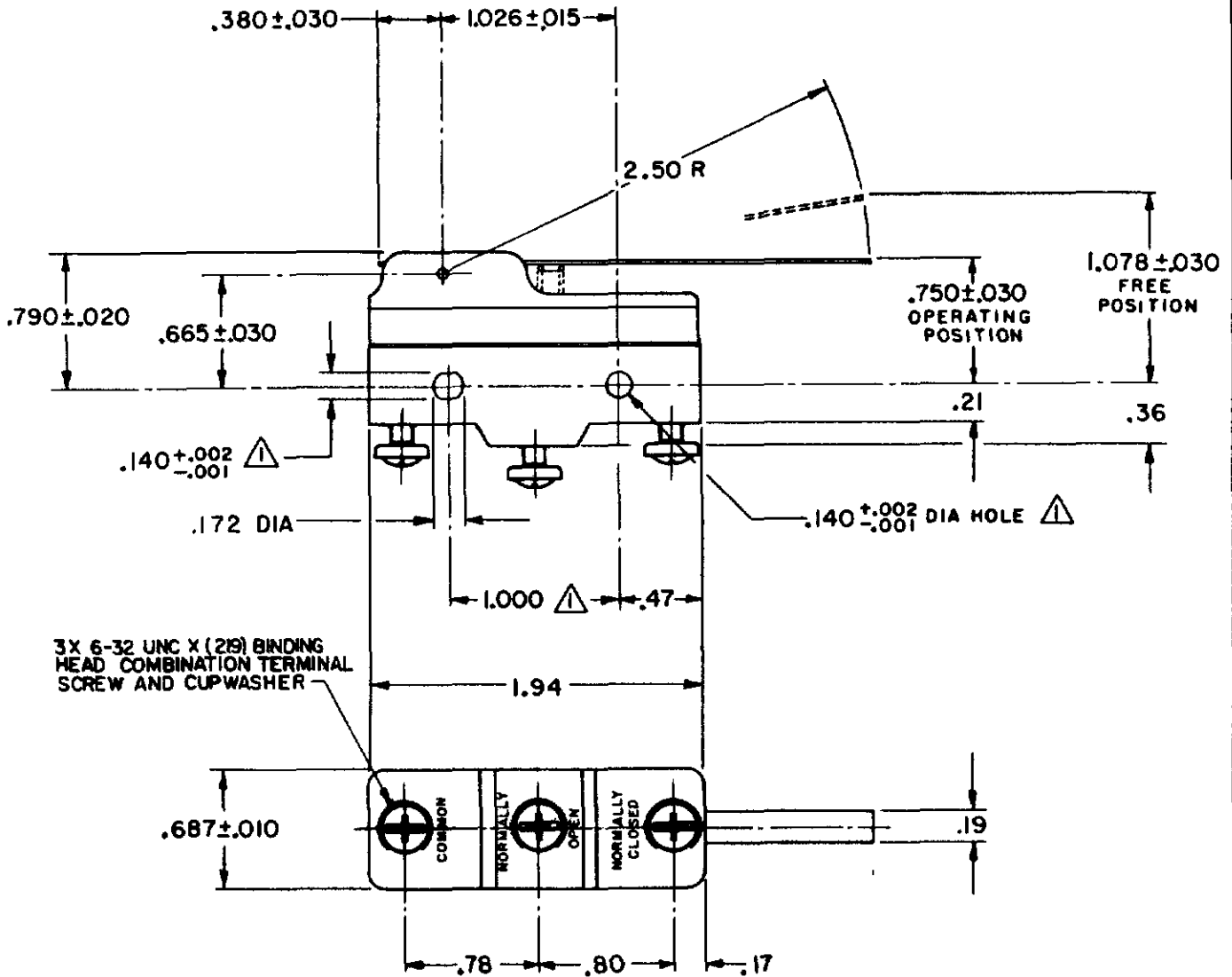
CHECK

CHECK

CHECK

CHECK

CHECK



**NOTE**  
 △ - MOUNTING HOLES WILL ACCEPT PINS OR SCREWS OF .139 MAX DIA ON 1.000 ± .002 CENTERS  
 2 - SWITCH WILL WITHSTAND TEMPERATURE OF 250° F

THIS DRAWING COVERS A PROPRIETARY ITEM AND IS THE PROPERTY OF MICRO SWITCH, A DIVISION OF MINNEAPOLIS-HONEYWELL REGULATOR CO. THIS DRAWING IS NOT TO BE COPIED OR USED WITHOUT THE APPROVAL OF MICRO SWITCH.

CHARACTERISTICS	
OPERATING FORCE	----- 2 1/2 OZ MAX
RELEASE FORCE	----- 1/2 OZ MIN
DIFFERENTIAL TRAVEL	----- .007 - .050
OVERTRAVEL	----- .219 MIN

ELECTRICAL DATA	
CONTACT ARRANGEMENT S P D T	
UL LISTED-FILE E12252 15A-125, 250 OR 480 VAC, 2A-600 VAC 1/8 HP-125 VAC; 1/4 HP-250 VAC 1/2A-125 VDC; 1/4A-250 VDC	
CODE	L74 L288 L299 L306
	CE D S
	16A 250V ~ T85 5E4

SCALE FULL	
DO NOT SCALE PRINT	
UNLESS OTHERWISE SPECIFIED DIMENSIONS ARE IN INCHES	
<b>TOLERANCES ARE:</b>	
ONE PLACE (0)	±.030
TWO PLACE (.00)	±.015
THREE PLACE (.000)	±.005
ANGLES	±
WEIGHT .073 LB	

REVISIONS

A	CO	18736
GCH 30 APRIL 62		
B	CDI	7410
LEB 13 MAR 63		
C	CO	47849
DJS 21 JUN 60		
D	CO	73287-E
DHD 5 OCT 93		
E	CO	77588
MAM 29 MAR 94		
F	CO	093346
DLT 2 SEP 98		

FORMTEK

FO-80378

DRAWN

GCH

30 APRIL 62

11 MAY 62

DAW

11 MAY 62