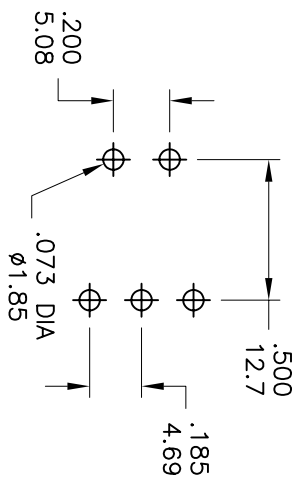


Model No.	POS.1	POS.2	POS.3
1AS1	ON	NONE	ON
Term. Comm.	2-3		2-1
SCHEMATIC		OPEN	

SWITCH FUNCTION



P.C. MOUNTING

RATING:

R : 0.4 Volt-Amps(VA) max. @20V max.(AC or DC)
 Q : 2Amps @250VAC
 5Amps @120 VAC or 28 VDC

德利威電子股份有限公司
DAILYWELL ELECTRONICS CO.,LTD.

SPECIFICATIONS
ELECTRICAL LIFE: 30,000 make-and-break cycles at full load.
CONTACT RESISTANCE: 10m Ω max. initial @ 2-4VDC
 100mA for both silver and gold plated contacts.
INSULATION RESISTANCE: 1,000M Ω min.
DIELECTRIC STRENGTH: 1,000 V RMS@sea level.
OPERATING TEMPERATURE: -30° C to 85° C.

MATERIALS
CASE BUSHING: Glass filled nylon 66, flame retardant, heat stabilized(UL94v-0).
ACTUATOR: Brass,chrome plated with internal, O-ring seal standard.
SWITCH SUPPORT: Brass or steel, tin plated.
SWITCH SUPPORT RETAINER: Stainless Steel.
CONTACT/TERMINAL: copper alloy, with Silver or gold plated.

符號	原尺寸	修改後尺寸	變更日期	SCALE (比例): 3:2	TITLE 圖名	Sealed Miniature Toggle Switches	SIZE 圖紙	A4		
1	(A)			TOLERANCE (公差): 0.00 mm ± 0.25mm 0.0 mm ± 0.40mm ANGULAR: ± 2.54 mm FILE NAME: 1ASPP0040	DWG NO. 圖號	1AS1T2B4M6RE	UNIT 單位	inch		
2	(B)				REV. 版本	A	DATA 日期	DEC - 11 - 2002	SHEET 張數	1 of 1
3	(C)				CHECKED BY 審核	Jack	DRAWN BY 製圖	BLUE		
4	(D)									
5	(E)									