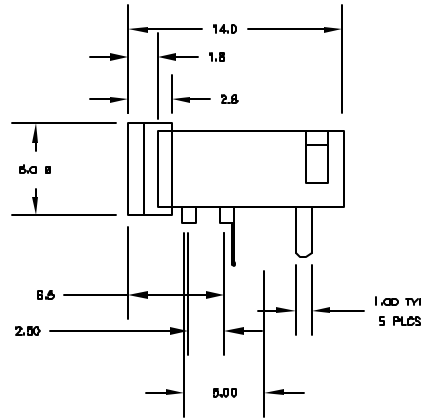
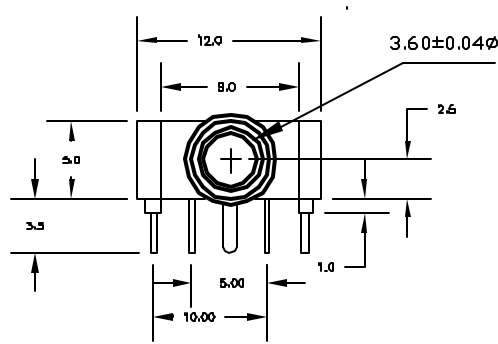


REVISIONS

DCP #	REV	DESCRIPTION	DRAWN	DATE	CHECKD	DATE	APPRVD	DATE
XX	A	Released	LG	23.09.08	JN	23.09.08	JN	23.09.08



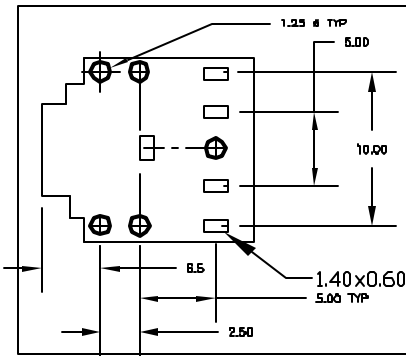
SPECIFICATIONS

ELECTRICAL:

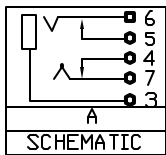
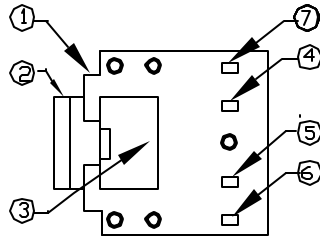
- CONTACT RESISTANCE : 30 MILLIOHMS MAX.
- INSULATION RESISTANCE : 100 MEGOHMS MIN. AT 500 VDC
- DIELECTRIC STRENGTH : 500 VAC FOR 60 SECONDS

MECHANICAL:

- INSERTION FORCE : 0.3 TO 2.0 Kg
- WITHDRAWAL FORCE : 0.3 TO 2.0 Kg
- LIFE : 5000 CYCLES



Pcb Layout (Bottom View)



ITEM	DESCRIPTION	MATERIAL/FINISH
1	HOUSING	PDM - BLACK
2	BUSHING	BRASS - NICKEL PLATED
3	SLEEVE	PHOSPHOR BRONZE - SILVER PLATED
4	SHUNT TERMINAL -B	BRASS - SILVER PLATED
5	SHUNT TERMINAL -A	BRASS - SILVER PLATED
6	RING	PHOSPHOR BRONZE - SILVER PLATED
7	TIP	PHOSPHOR BRONZE - SILVER PLATED



DISCLAIMER:
ALL STATEMENTS AND TECHNICAL INFORMATION CONTAINED HEREIN ARE BASED UPON INFORMATION AND/OR TESTS WE BELIEVE TO BE ACCURATE AND RELIABLE. SINCE CONDITIONS OF USE ARE BEYOND OUR CONTROL, THE USER SHALL DETERMINE THE SUITABILITY OF THE PRODUCT FOR THE INTENDED USE AND ASSUME ALL RISK AND LIABILITY WHATSOEVER IN CONNECTION THEREWITH.

TOLERANCES:
UNLESS OTHERWISE SPECIFIED, DIMENSIONS ARE FOR REFERENCE PURPOSES ONLY.

DRAWN BY:	DATE:
LG	23.09.08
CHECKED BY:	DATE:
JN	23.09.08
APPROVED BY:	DATE:
JN	23.09.08

DRAWING TITLE:			
AUDIO JACK			
SIZE	DWG. NO.	ELECTRONIC FILE	REV
A	SPC24110	14N8170	A
SCALE: NTS	U.O.M.: INCHES [mm]	SHEET: 1 OF 1	