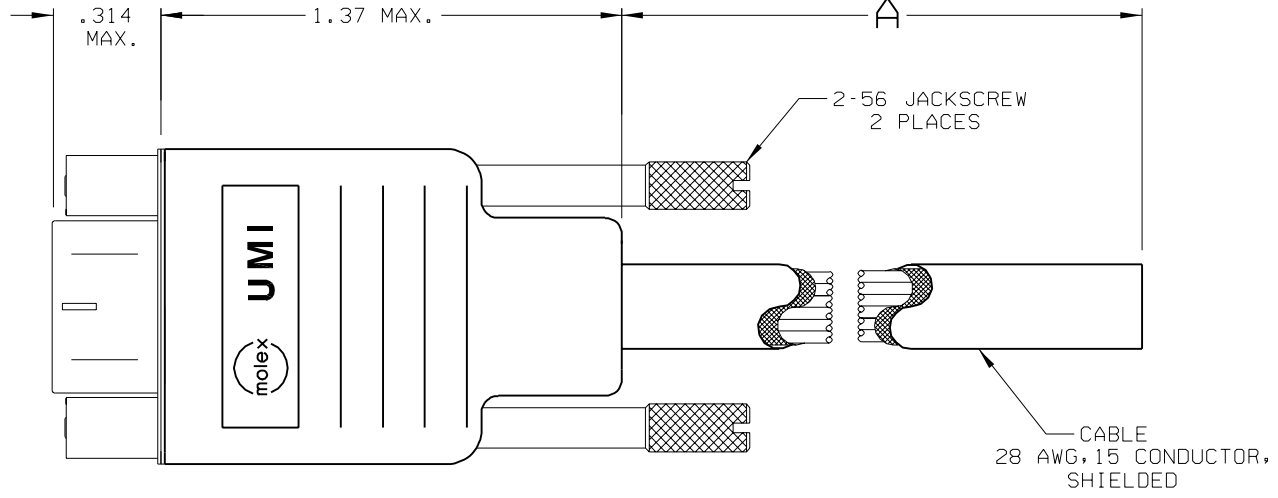
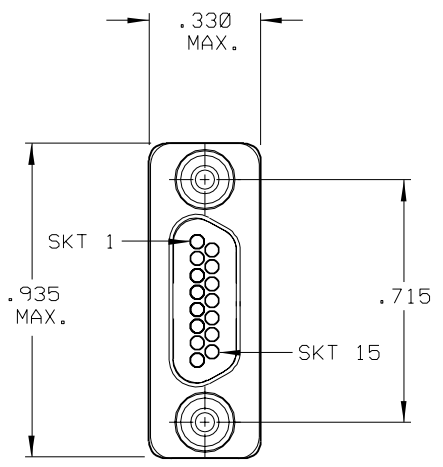


REV	DATE	ECN NO.	APPVD BY	REL BY
A	27MAR00	UM2000-0498	FVW	CH
B	11OCT00	UM2001-0106	FVW	CH
C	16JAN01	UM2001-0214		



PART NUMBER	A * .5
834229016	4.5
834229007	18.5
834229013	36.5
834229017	48.5
834229018	72.5

1	BLK
2	BRN
3	RED
4	ORG
5	YEL
6	GRN
7	BLU
8	VIO
9	GRY
10	WHT
11	W/BLK
12	W/BRN
13	W/RED
14	W/ORG
15	W/YEL

1. MARKING: NONE.

NOTES: UNLESS OTHERWISE SPECIFIED.

QUALITY SYMBOLS MAJOR $\nabla = 0$ CRITICAL $\nabla C = 0$ SPC $\nabla S = 0$	UNLESS SPECIFIED: ALL DIMENSIONS IN INCHES GENERAL TOLERANCES: 3 PLACES * .005 2 PLACES * .01 ANGULAR * 2°	SCALE NONE DWG SIZE B	THIRD ANGLE PROJECTION	REVISE ON CAD ONLY
	DRAWN BY & DATE D.URBACH 27MAR00	CHECKED BY & DATE F. VAN WYK	TITLE: CABLE ASSEMBLY, COMMER-D, SIZE 15, RECP..18.0	
	APPROVED BY & DATE	MOLEX INCORPORATED Orange, CA 92868		SHEET NO. 1 OF 1
	Umi-Mate CAGE CODE 58967	PART NO. SEE *TAB BLOCK*	DRAWING NO. SD-83422-9007	REV C

THIS DRAWING CONTAINS INFORMATION THAT IS PROPRIETARY TO MOLEX INCORPORATED AND SHOULD NOT BE USED WITHOUT WRITTEN PERMISSION.