

# Castor Nylon

**DURATOOL**

66 4201 and 66 4203



66 5704



**Features:**

- Offers a 'TR' cast red polyurethane tyre bonded to nylon 6 centre which is available with plain bearing bore.

**The wheel can be fitted in the following castor housings:**

- Standard duty top plate swivel, fixed and swivel with foot brake.
- Standard duty bolt hole swivel, fixed and bolt hole swivel with foot brake.

66 6602



66 7702 and 66 7703



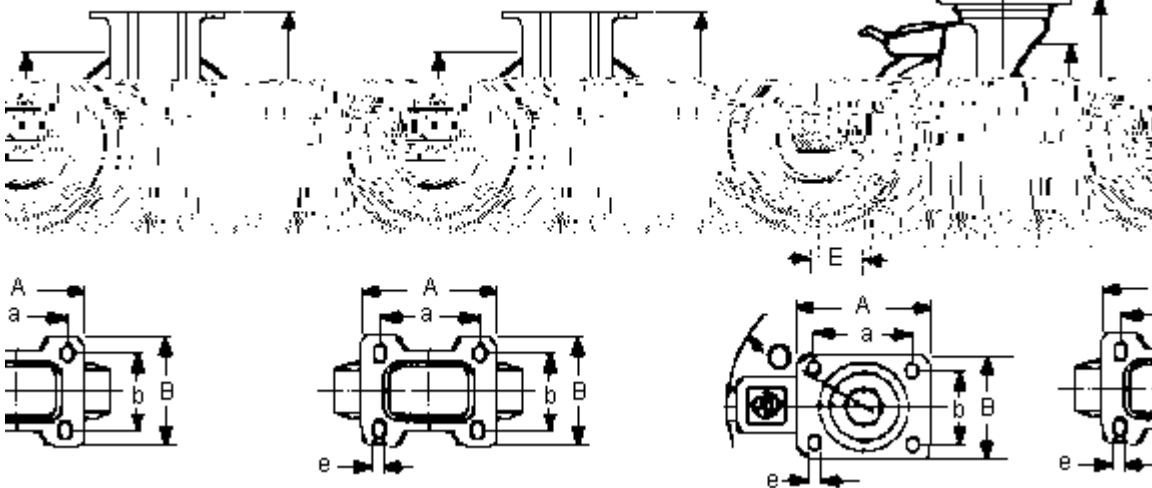
66 6402



66 4201 and 66 4203

66 5704

66 6602



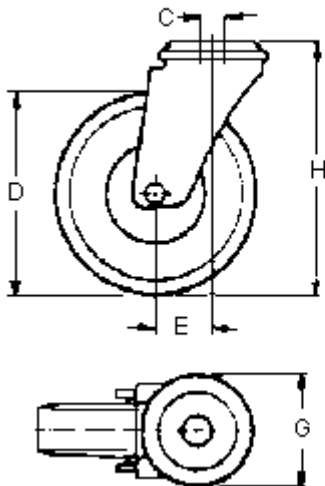
Dimensions : Millimetres

**DURATOOL**

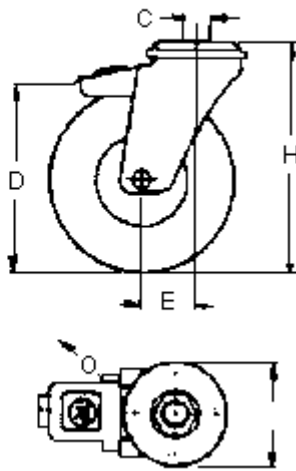
# Castor Nylon

**DURATOOL**

66 7702 and 66 7703



66 6402



Dimensions : Millimetres

## Recommended Uses:

This wheel type is recommended for standard to medium-heavy duty loads.

## Working Environment:

Manual handling applications.

Suitable for use on compact floors. not recommended for soft non-compact surfaces such as asphalt.

Suitable for environments where atmospheric agents, alcohol and glycol are present. Not recommended for use with mineral and organic acids, base solution and saturated vapour.

## Specifications:

In accordance with ISO 2175. Defines castor and/or wheel application appropriate with environmental conditions-load, speed of use, temperature, floor condition and cycle time.

Temperature : -20°C to +80°C.

## Specification Table

Description	Wheel Diameter (D)	Thread Width (b)	Overall Height (H)	Plate Dimensions (A x B)	Hole Spacing (a x b)	Hole Width (e)	Offset (E)	Carrying Capacity (kg)	Part Number
Swivel Castor, Nylon/Poly, Tire	80	25	107	100 x 85	80 x 60	9	36	150	66 4201
Castor, Nylon Wheel, Swivel	125	30	156				40	220	66 4203
Fixed Castor, Nylon/Poly, Tire	150	40	192	140 x 110	105 x 80	11	-	300	66 5704

Dimensions : Millimetres

## Specification Table

Description	Wheel Diameter (D)	Thread Width (b)	Overall Height (H)	Plate Dimensions (A x B)	Hole Spacing (a x b)	Hole Width (e)	Offset (E)	Pedal Length	Carrying Capacity (kg)	Part Number
Castor, Nylon/Poly, Wheel*	100	30	128	100 x 85	80 x 60	9	40	120	200	66 6602

\*Swivel castor with foot brake

Dimensions : Millimetres

<http://www.farnell.com>  
<http://www.newark.com>  
<http://www.cpc.co.uk>

**DURATOOL**

# Castor Nylon



## Specification Table

Description	Wheel Diameter (D)	Thread Width (b)	Overall Height (H)	Plate Diameter (C)	Plate Diameter (G)	Offset (E)	Pedal Length	Carrying Capacity (kg)	Part Number
Castor, Nylon/Poly, Tire**	100	30	128	12	80	40	-	200	66 7702
Castor, Nylon/Poly, Wheel**	125		156			46		220	66 7703
Castor, Nylon/Poly, Wheel***	100		128			40	120	200	66 6402

\*\*Bolt hole with swivel castor.

\*\*\*Bolt hole swivel castor with foot brake.

Dimensions : Millimetres

**Disclaimer** This data sheet and its contents (the "Information") belong to the Premier Farnell Group (the "Group") or are licensed to it. No licence is granted for the use of it other than for information purposes in connection with the products to which it relates. No licence of any intellectual property rights is granted. The Information is subject to change without notice and replaces all data sheets previously supplied. The Information supplied is believed to be accurate but the Group assumes no responsibility for its accuracy or completeness, any error in or omission from it or for any use made of it. Users of this data sheet should check for themselves the Information and the suitability of the products for their purpose and not make any assumptions based on information included or omitted. Liability for loss or damage resulting from any reliance on the Information or use of it (including liability resulting from negligence or where the Group was aware of the possibility of such loss or damage arising) is excluded. This will not operate to limit or restrict the Group's liability for death or personal injury resulting from its negligence. DURATOOL is the registered trademark of the Group. © Premier Farnell plc 2009.