

97

97 Crimp System Pliers with exchangeable crimp profiles



97 43 200
with crimp profile 97 49 06

- ▶ for solder-free electrical connections
- ▶ almost parallel crimping performance
- ▶ repetitive, high crimping quality due to precision dies and integral lock (self-releasing mechanism)
- ▶ these tools have been set precisely (calibrated) in the factory
- ▶ optimum transmission of force due to lever action for fatigue-reduced operation
- ▶ ergonomically designed handles
- ▶ wide range of different crimp profiles for nearly all common crimp connections (see Art. No. 97 49..)
- ▶ further special profiles on request
- ▶ different locators for precise positioning of the connectors
- ▶ all stressed parts are made of special steel, oil-hardened and tempered
- ▶ head burnished; with plastic handles

KNIPEX
special

Nearly all common crimp connections can be realized with the KNIPEX Crimp System Plier simply by exchanging the crimping dies. This comfort represents hand crimping technology at the state-of-the-art and optimum crimping results.





Model 97 43 200:
▶ Crimp System Plier 97 43 200 with service tools (hexagonal key, open jaw wrench, screws and nuts) in a plastic case. Foam insert with recesses for crimp profiles and locators.

Model 97 43 05/06:
▶ with fixed crimp profile; in cardboard packaging



Crimp System Plier 97 43 200 with crimp profile 97 49 61 and locator 97 49 90 for turned contacts with different pin diameters, swivelling

97 43 200

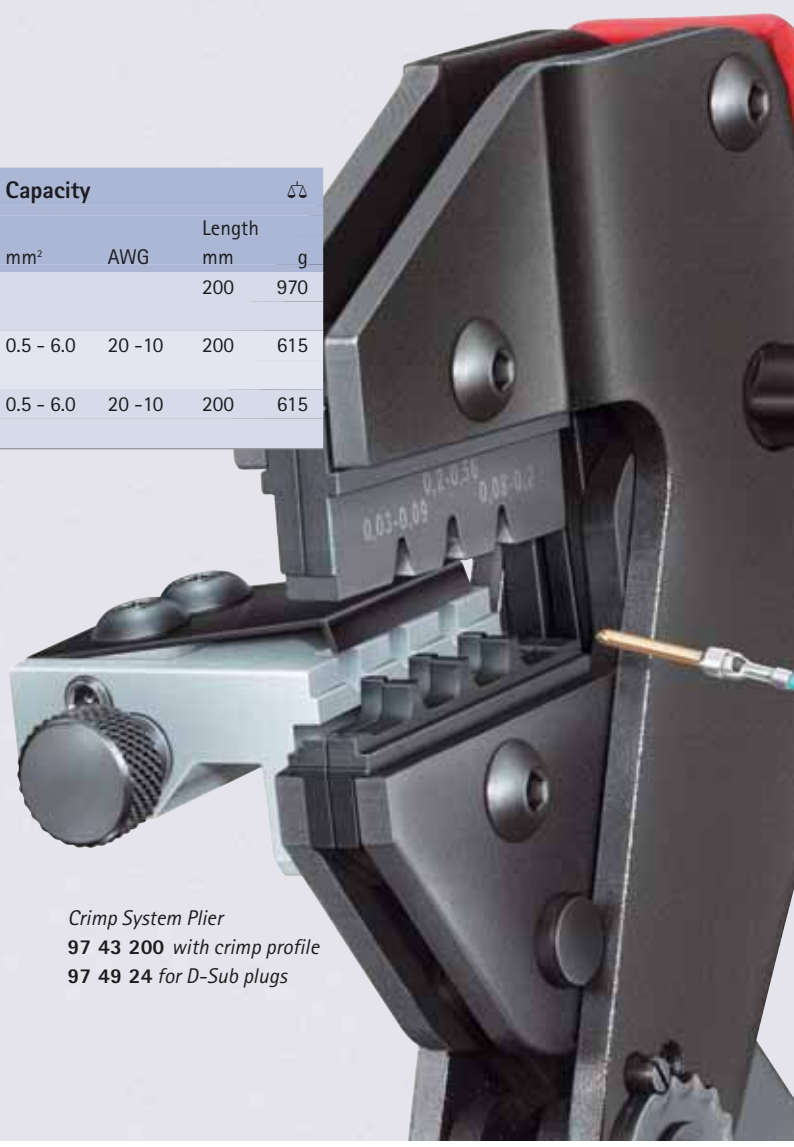
Article-No.	EAN-Code 4003773-	Range of applications	Capacity		Length		g
			mm ²	AWG	mm	g	
97 43 200	030812	see crimp die profile table			200	970	
97 43 05	031031	 Crimp System Plier for non-insulated open plug-type connectors	0.5 - 6.0	20 - 10	200	615	
97 43 06	031048	 Crimp System Plier for insulated terminals and plug connectors	0.5 - 6.0	20 - 10	200	615	



Crimp System Plier 97 43 200 with crimp profile 97 49 30 for non-insulated butt connectors



Crimp System Plier 97 43 200 with crimp profile 97 49 35 for spark plug connectors



Crimp System Plier 97 43 200 with crimp profile 97 49 24 for D-Sub plugs